

# JWANDERSON

Label: JWANDERSON Uniqlo  
Style #: 296020616988  
SELF: 100% cotton

Name: uniqlo straight pants

Size: 32

Season: Spring/ Summer

Andres Enomoto  
Date: May 7, 2024



# JWANDERSON

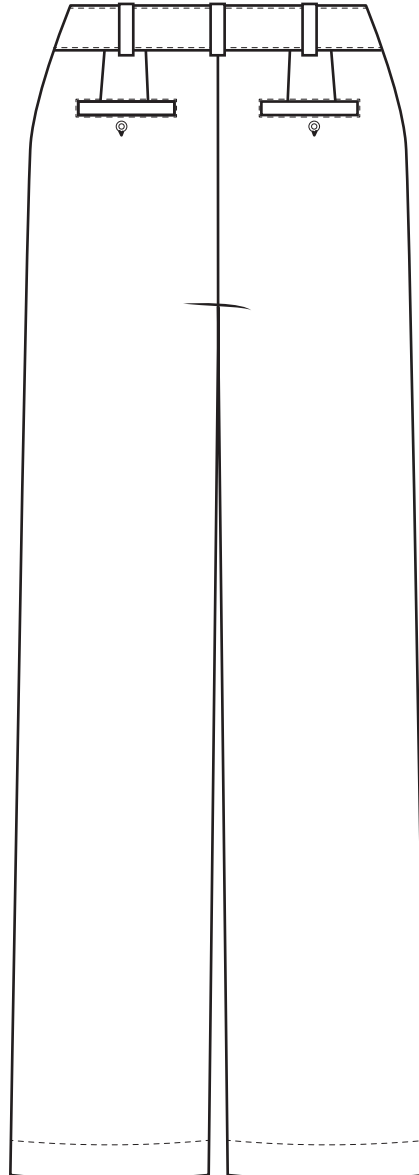
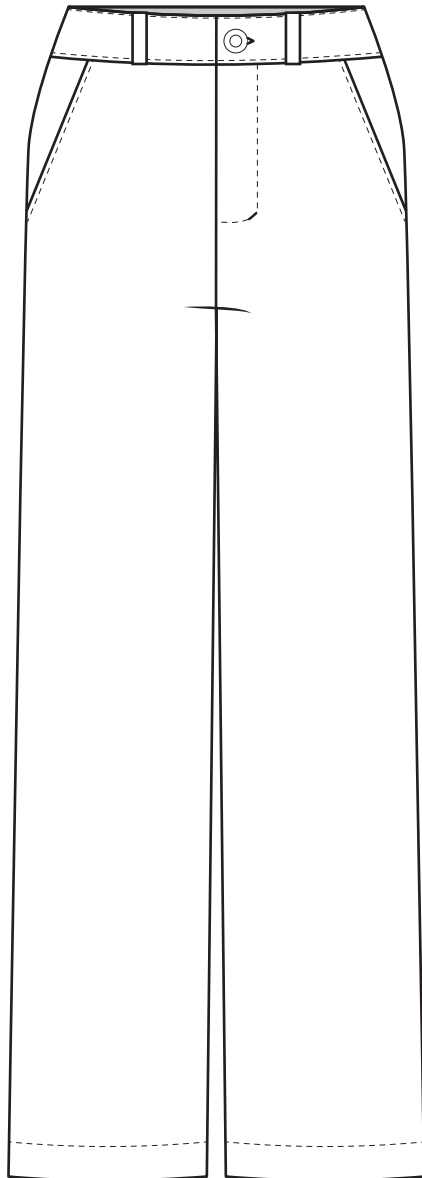
Label: JWANDERSON Uniqlo  
Style #: 296020616988  
SELF: 100% cotton

Name: uniqlo straight pants  
Size: 32

Season: Spring/ Summer

Andres Enomoto  
Date: May 7, 2024

## Exterior View



# JWANDERSON

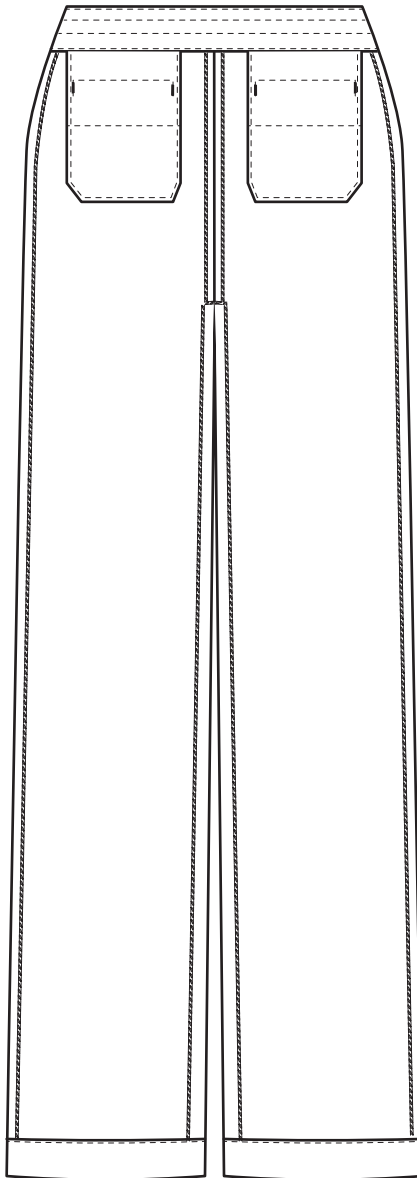
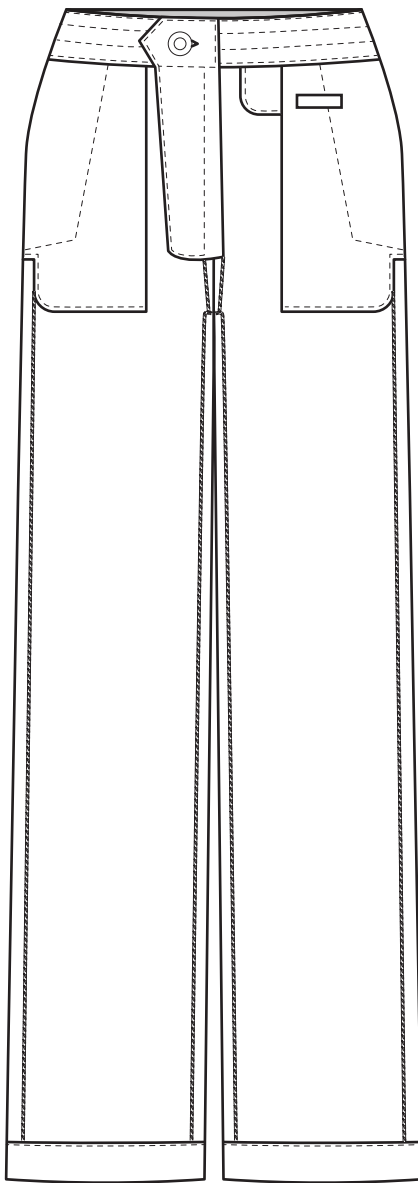
Label: JWANDERSON Uniqlo  
Style #: 296020616988  
SELF: 100% cotton

Name: uniqlo straight pants  
Size: 32

Season: Spring/ Summer

Andres Enomoto  
Date: May 7, 2024

## Interior View



# JWANDERSON

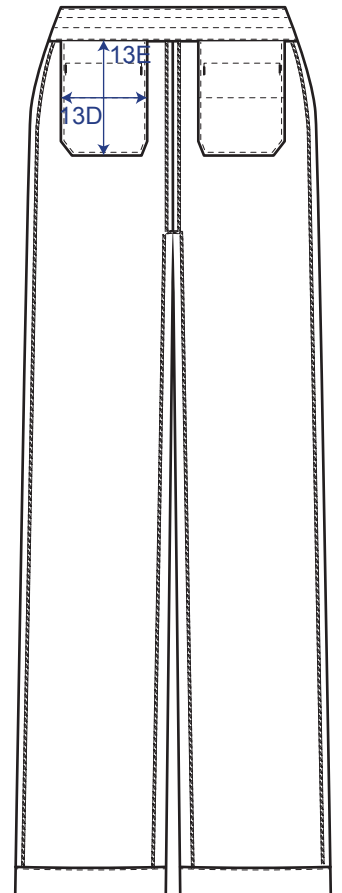
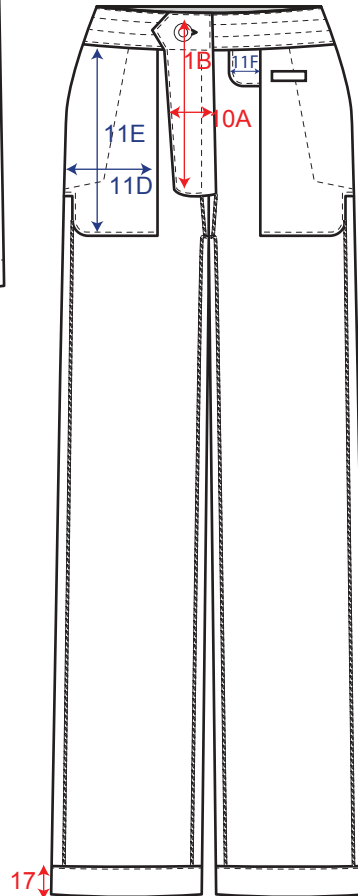
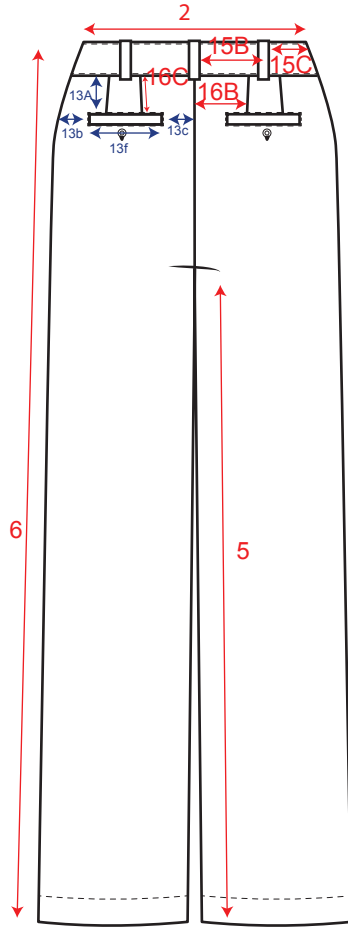
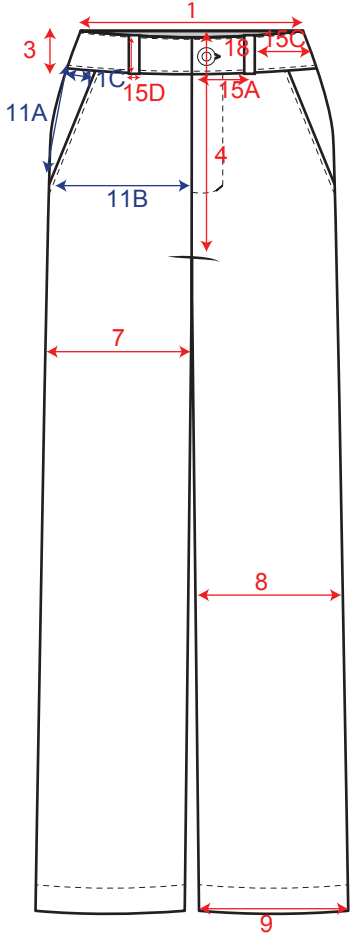
Label: JWANDERSON Uniqlo  
Style #: 296020616988  
SELF: 100% cotton

Name: uniqlo straight pants

Size: 32

Season: Spring/ Summer

Andres Enomoto  
Date: May 7, 2024



17

Label: JWANDERSON Uniqlo  
Style #: 296020616988  
SELF: 100% cotton

Name: uniqlo straight pants  
Size: 32  
Season: Spring/ Summer

<b>Pants and Shorts Spec Sheet</b>				
<b>NAME:</b>	Andres Enomoto	<b>DATE:</b>		
<b>SEASON:</b>	Spring/Summer	<b>STYLE:#</b>	0105	<b>SIZE:</b> 32 <b>LABEL:</b>
<b>DESCRIPTION:</b> JWAnderson x Uniqlo Women dress pants				
<b>FABRICATION:</b>	100% Cotton			
<b>ACCESSORIES:</b>				<b>TRIM:</b> Zipper
		<b>FRONT</b>	<b>BACK</b>	<b>TOTAL</b>
1	FRONT WAISTLINE	17.5 in		
2	BACK WAISTLINE		17.62 in	
	a. Total circumference			35.12 in
3	WAISTBAND – HEIGHT			1.75 in
4	RISE	12 in		
5	INSEAM	29 in		
6	OUTSEAM	39 in		
7	THIGH CIRCUMFERENCE			21.5 in
8	KNEE CIRCUMFERENCE			22.5 in
9	ANKLE CIRCUMFERENCE			19 in
10	ZIPPER PLACKET			
	a. Width	2.5 in		
	b. Length	9.5 in		
11	POCKET A			
	a. Pocket Opening Length	7.25 in		
	b. Placement – CF to pocket edge (top/bottom)	10.5 in		
	c. Placement – Side seam to pocket edge (top/bottom)	1.62 in		
	d. Pocket width	7 in		
	e. Pocket length	12 in		
	f. Pocket length	1.25 in		
12	POCKET B			
	a. Pocket Opening Length	7.25 in		
	b. Placement – CF to pocket edge (top/bottom)	10.5 in		
	c. Placement – Side seam to pocket edge (top/bottom)	1.62 in		
	d. Pocket width	7 in		
	e. Pocket length	12 in		
13	POCKET C			
	a. Placement – Waistline seam to top pocket edge		3 in	
	b. Placement – Side seam to pocket edge (top/bottom)		2.37	
	c. Placement – CB to pocket edge (top/bottom)		2.5 in	
	d. Pocket width		7 in	
	e. Pocket length		10.5 in	
	f. Pocket opening		5.75 in	
14	POCKET D			
	a. Placement – Waistline seam to top pocket edge		3 in	
	b. Placement – Side seam to pocket edge (top/bottom)		2.37	
	c. Placement – CB to pocket edge (top/bottom)		2.5 in	
	d. Pocket width		7 in	
	e. Pocket length		10.5 in	
15	BELT LOOP			
	a. Placement – Distance from CF	2.25 in		
	b. Distance from CB		4.9 in	
	c. Distance from SS	6 in	4 in	
	d. Belt loop width	0.25 in		
	e. Belt loop length	2.12 in		
16	DART			
	a. Placement – Distance from CF			
	b. Placement – Distance from CB		4 in	
	c. Dart length		3 in	
17	HEM – DEPTH			
18	BUTTON PLACEMENT	1.25 in		
<b>REMARKS/OTHER SPECS:</b>				

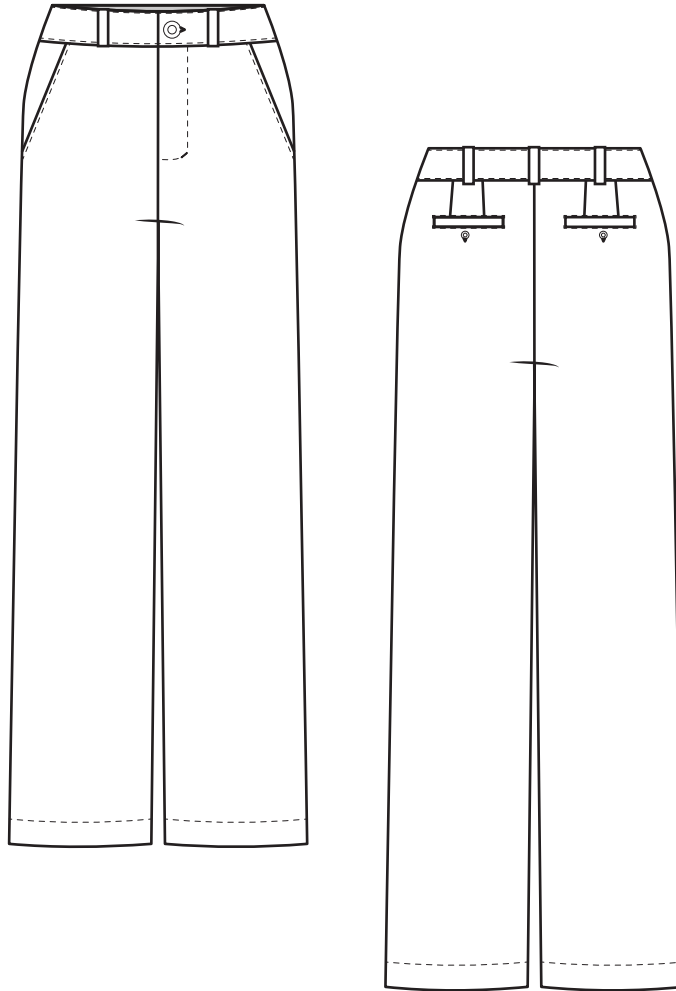
# JWANDERSON

Label: JWANDERSON Uniqlo  
Style #: 296020616988  
SELF: 100% cotton

Name: uniqlo straight pants  
Size: 32

Season: Spring/ Summer

Andres Enomoto  
Date: May 7, 2024



## BILL OF MATERIALS

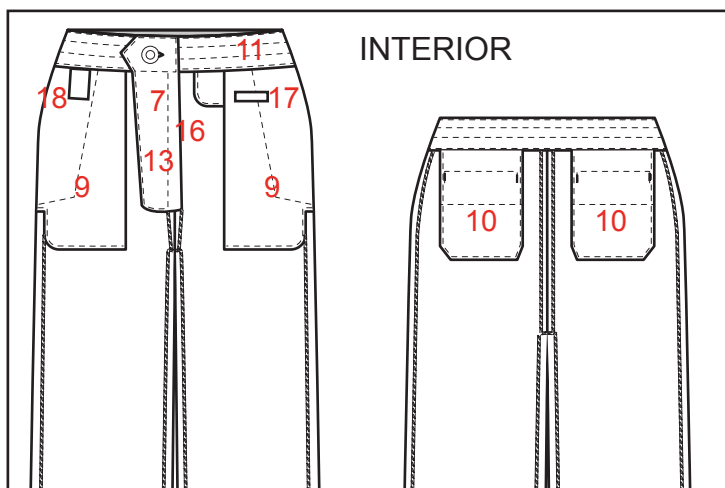
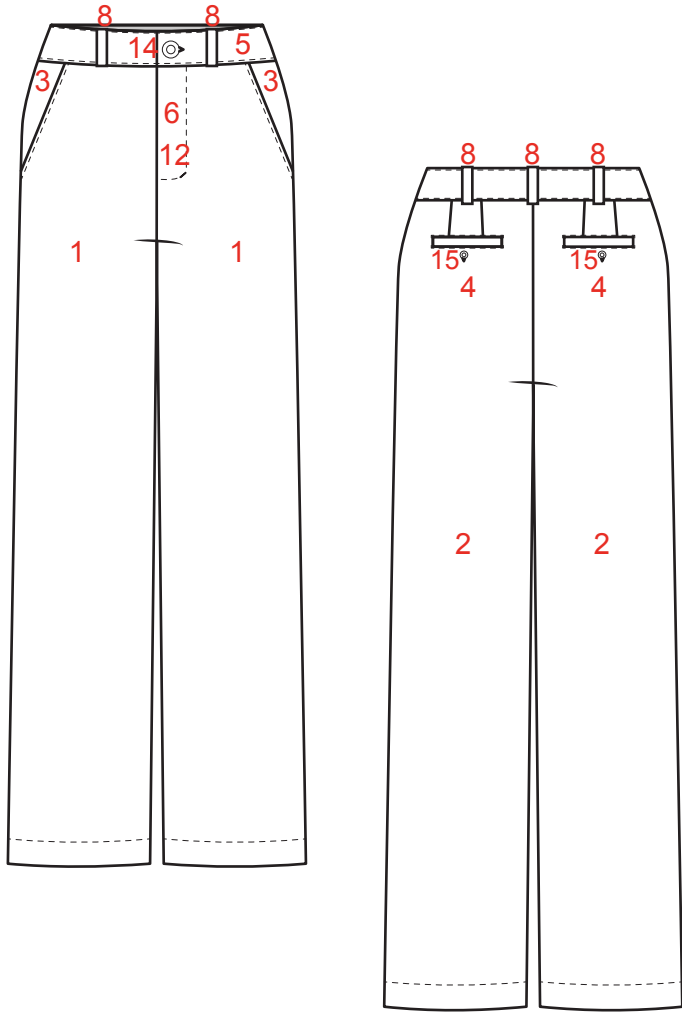
PLACEMENT	MATERIALS	COLOR	QUANTITY
<b>FABRIC</b>			
BODY	100% COTTON	BLACK	
POCKET LINING	65% POLYESTER, 35% COTTON	BLACK	
<b>TRIMS</b>			
BODY,POCKET LINING	COTTONPOLYESTER THREAD	BLACK	
WAISTBAND	36L PLASTIC BUTTON	BLACK	1
BODY(BACK)	34L PLASTIC BUTTON	BLACK	2
CF BODY(FRONT)	7 IN YKK ZIPPER	SILVER	1
<b>LABEL</b>			
LEFT LEG	CARE LABEL (PRINTED)	BLACK	1
RIGHT POCKET BAG	BRAND LABEL	WHITE W/BLACK EMBROIDERY	1

# JWANDERSON

Label: JWANDERSON Uniqlo  
 Style #: 296020616988  
 SELF: 100% cotton

Name: uniqlo straight pants  
 Size: 32  
 Season: Spring/ Summer

Andres Enomoto  
 Date: May 7, 2024



INTERIOR

## PATTERN CARD

#	SELF	CUT
1	Front Leg	2
2	Back Leg	2
3	Front Slash Pocket Facing	2
4	Back Welt Pocket Facing	2
5	Waistband	1
6	Zipper Fly Facing	1
7	Zipper Fly Extension	1
8	Belt Loops	5
<b>LINING</b>		
9	Front Slash Pocket Lining	2
10	Back Welt Pocket Lining	2
<b>FUSIBLE</b>		
11	Waistband	1
12	Zipper Fly Facing	1
13	Zipper Fly Extension	1
<b>TRIMS</b>		
14	36L Plastic Button	1
15	34L Plastic Button	2
16	7 IN YKK Zipper	1
<b>LABELS</b>		
17	Brand Label	1
18	Care Label	1

Label: JWANDERSON Uniqlo  
Style #: 296020616988  
SELF: 100% cotton

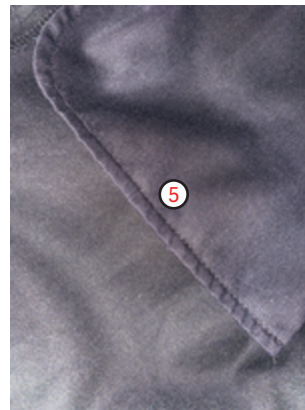
Name: uniqlo straight pants  
Size: 32

Season: Spring/ Summer

## Construction Sheet



1 Dart between bottom waistline and welt pocket



5 French seam on pocket lining



2 Button hole on center front waistband



6 Edgestitch around welt pocket



8 3 thread overlock stitch for clean finish at inseam and outseam



3 Clean finish hem 3/4 in



10 turned over and Understich zipper flap



4 Topstitching on waistband edgestitch 1/16

# JWANDERSON

Label: JWANDERSON Uniqlo  
Style #: 296020616988  
SELF: 100% cotton

Name: uniqlo straight pants  
Size: 32

Season: Spring/ Summer

Andres Enomoto  
Date: May 7, 2024

## 1 Branding Label



## 2 Hang Tag



## 3 Care Label

