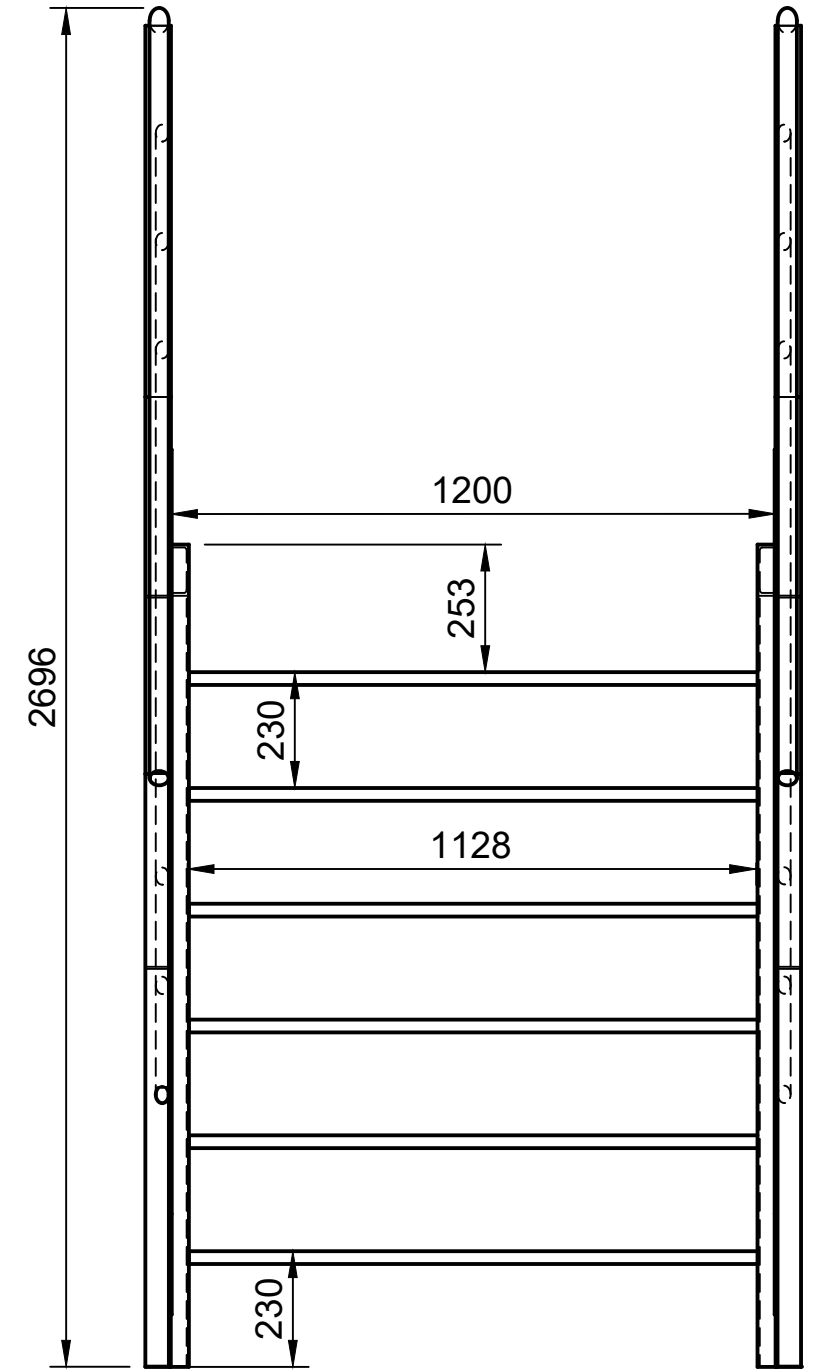
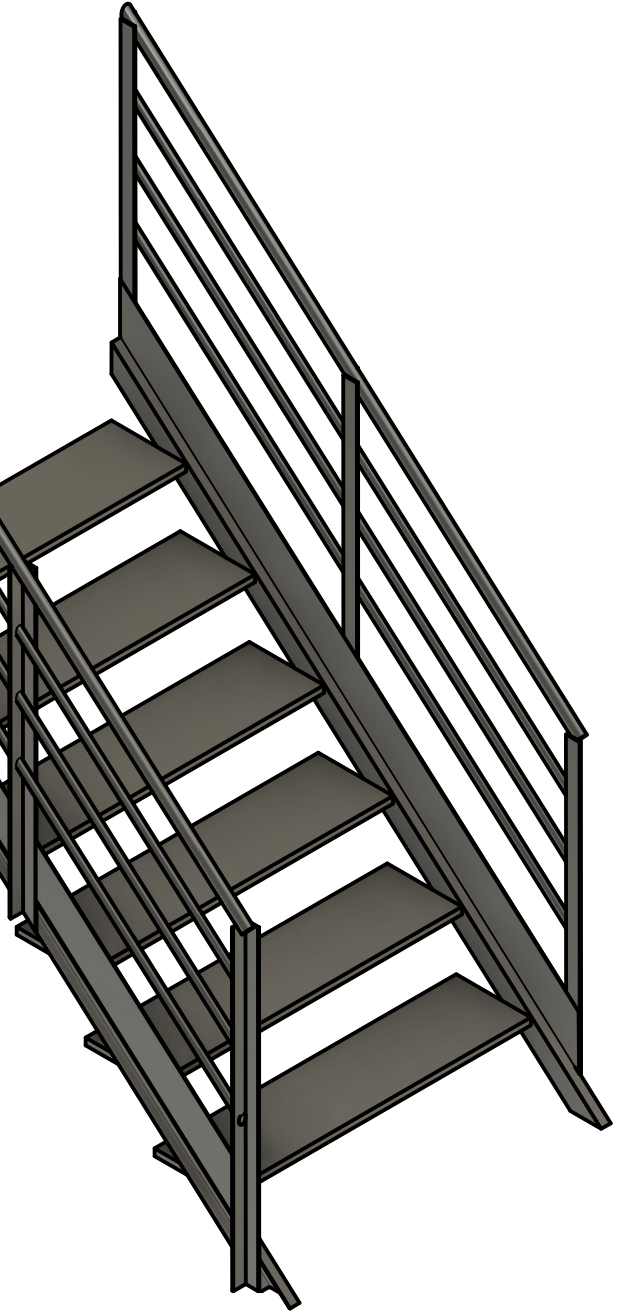
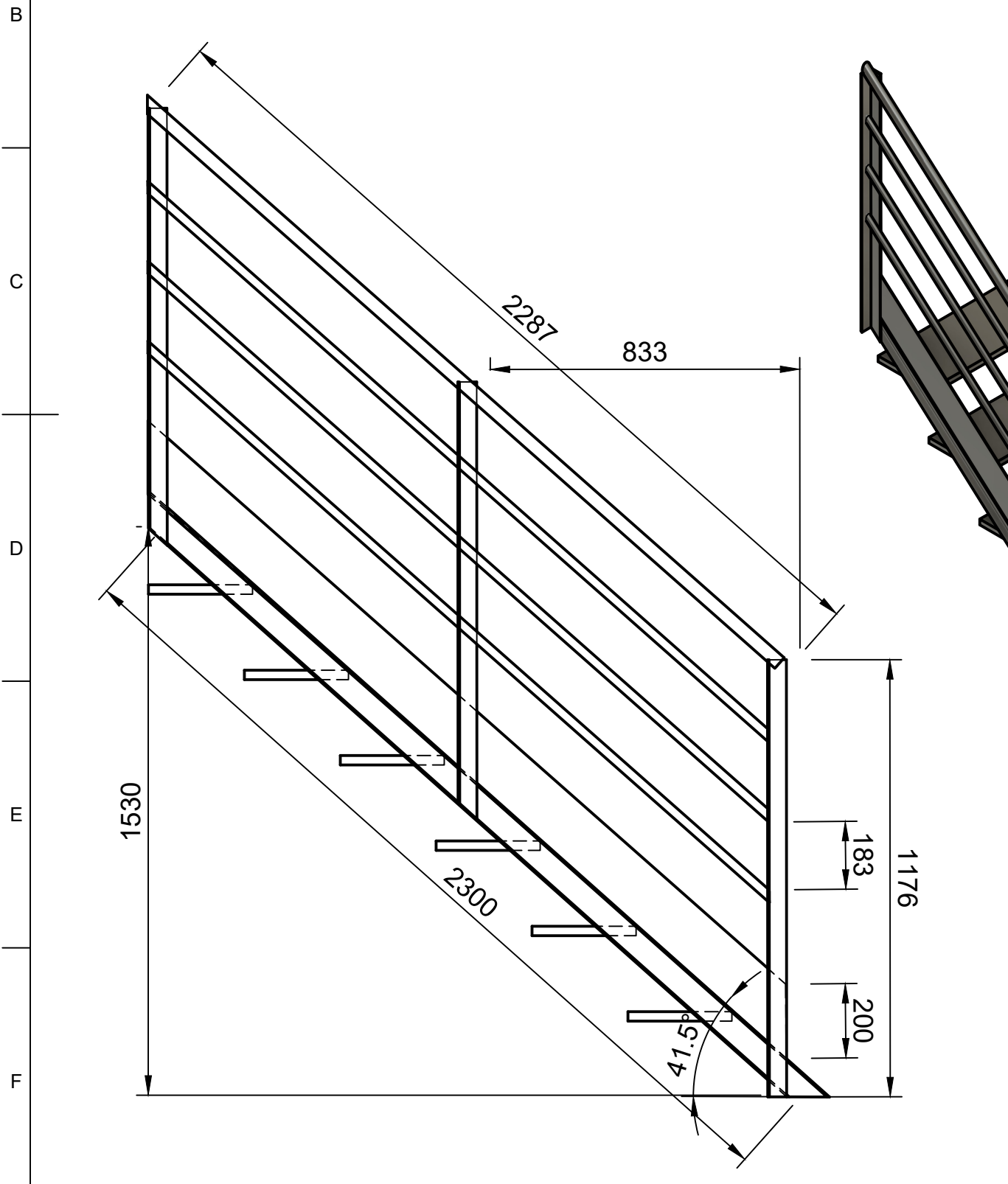



Lista de materiais				
	Qtde	Largura	Espessura	Comprimento
A	6	280mm	25.4mm	1128mm
	2	76.2mm	40.33mm	2445mm
	6	50.8mm	50.8mm	1176.2mm
	2	38mm	38mm	2287mm
	6	25.4mm	25.4mm	2226mm
	2	200mm	2mm	2290mm



Dept.	Technical reference	Created by <b>Marco Antunes 24/01/2025</b>	Approved by
		Document type	Document status
		Title <b>ENG-201</b>	DWG No.
Rev.	Date of issue	Sheet <b>1/1</b>	