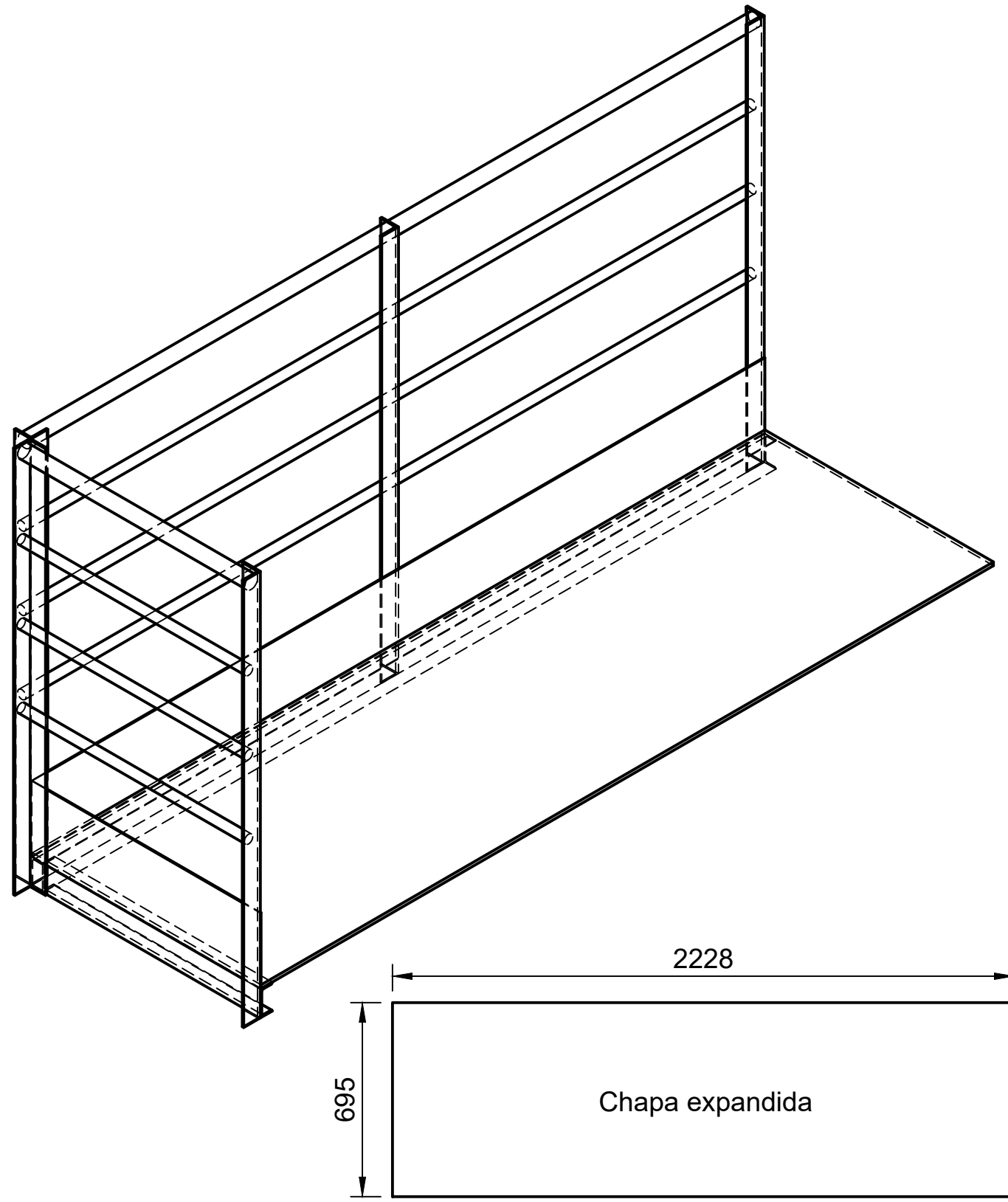
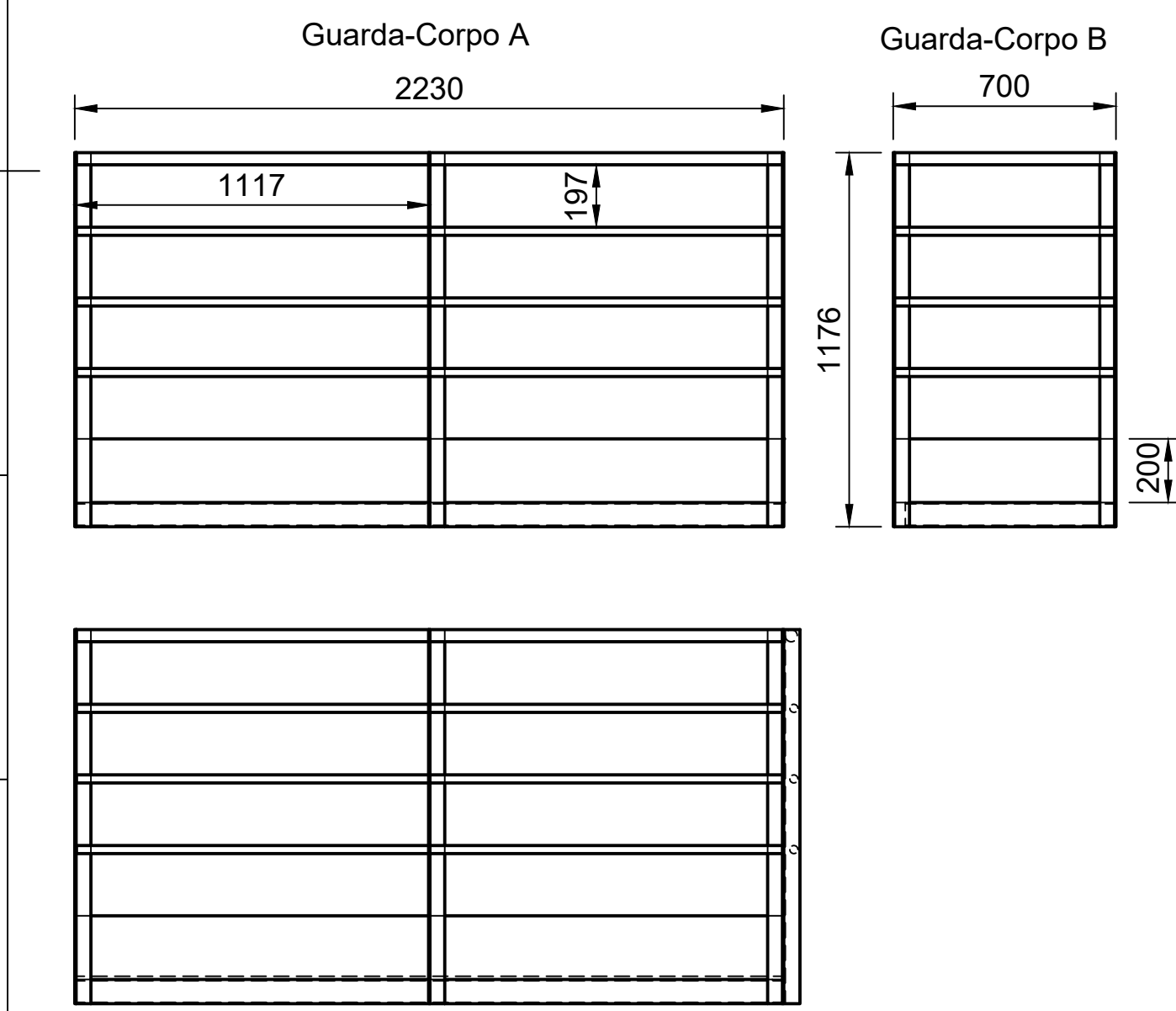



Lista de materiais Guarda-Corpo A				
	Qtde	Largura	Espessura	Comprimento
A	Cantoneira $\frac{3}{16}$ "x 2"	3	50.8mm	1176mm
	Tubo 1.5"	1	38mm	2230mm
	Tubo 1"	3	25.4mm	2230mm
	Rodapé	1	200mm	2230mm
	Viga 3U	1	76.2mm	2230mm
Lista de materiais Guarda-Corpo B				
	Qtde	Largura	Espessura	Comprimento
B	Cantoneira $\frac{3}{16}$ "x 2"	2	50.8mm	1176mm
	Tubo 1.5"	1	38mm	640mm
	Tubo 1"	3	25.4mm	640mm
	Rodapé	1	200mm	640mm
	Viga 3U	1	76.2mm	663mm



Dept.	Technical reference	Created by Marco Antunes 20/12/2024	Approved by
		Document type	Document status
		Title ENG175	DWG No.
Rev.	Date of issue	Sheet 1/1	