
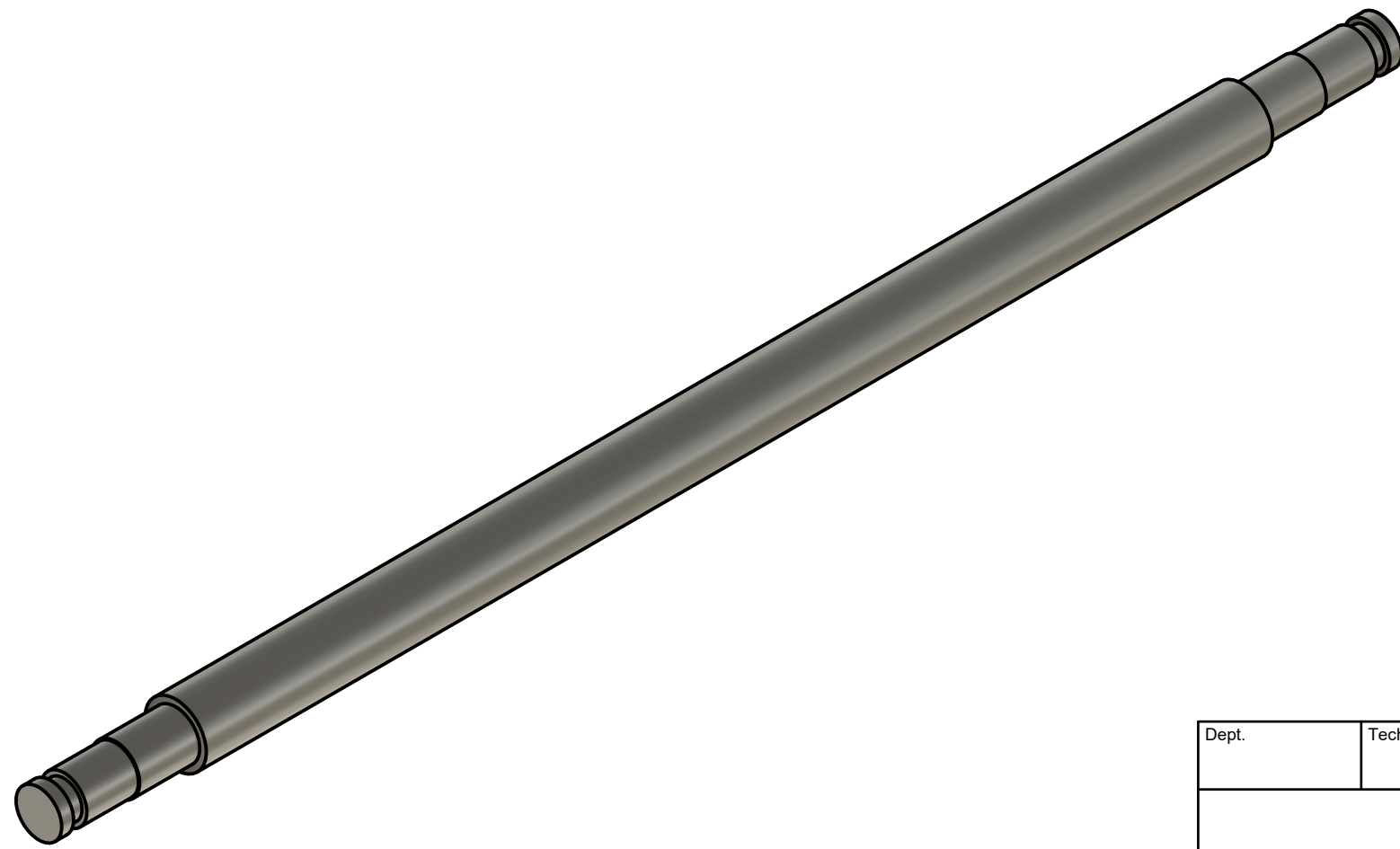
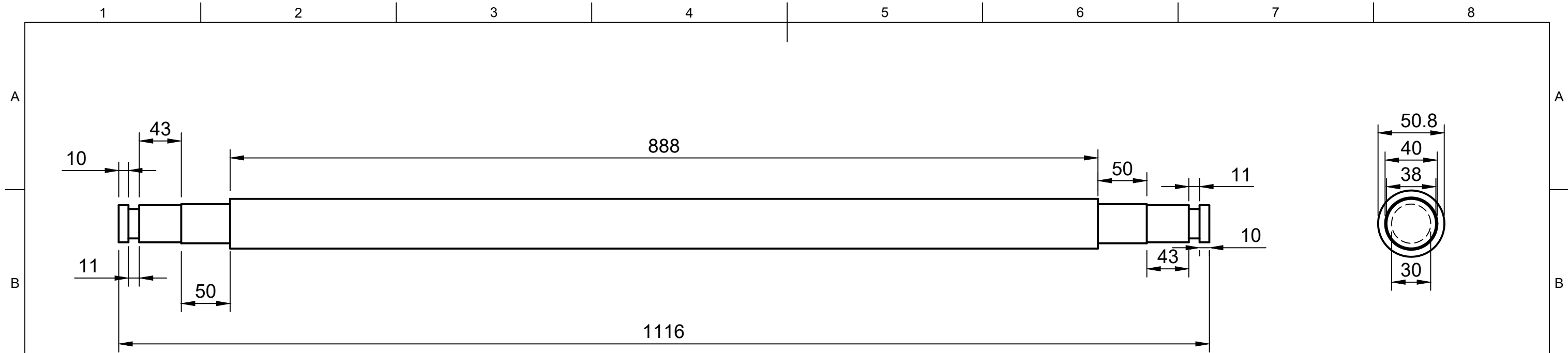

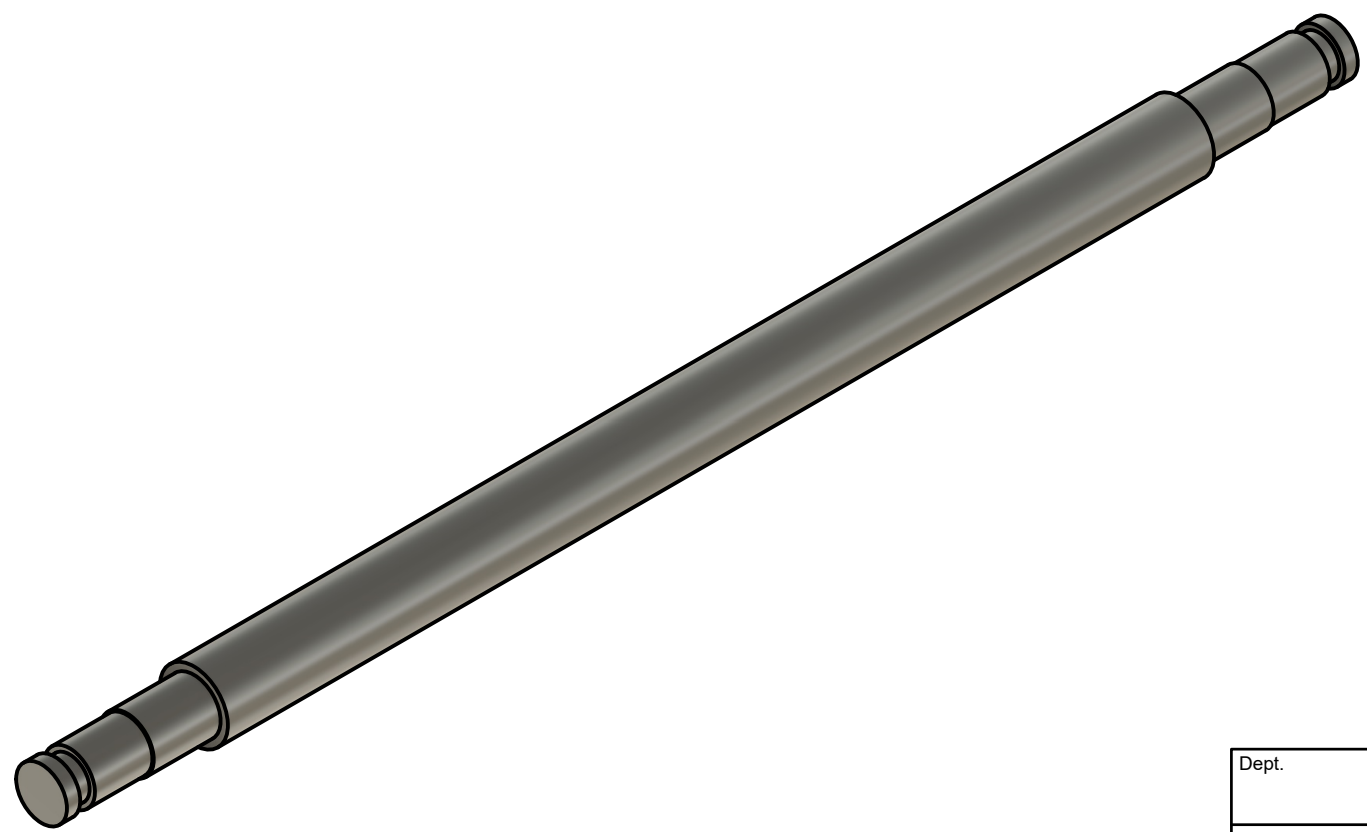
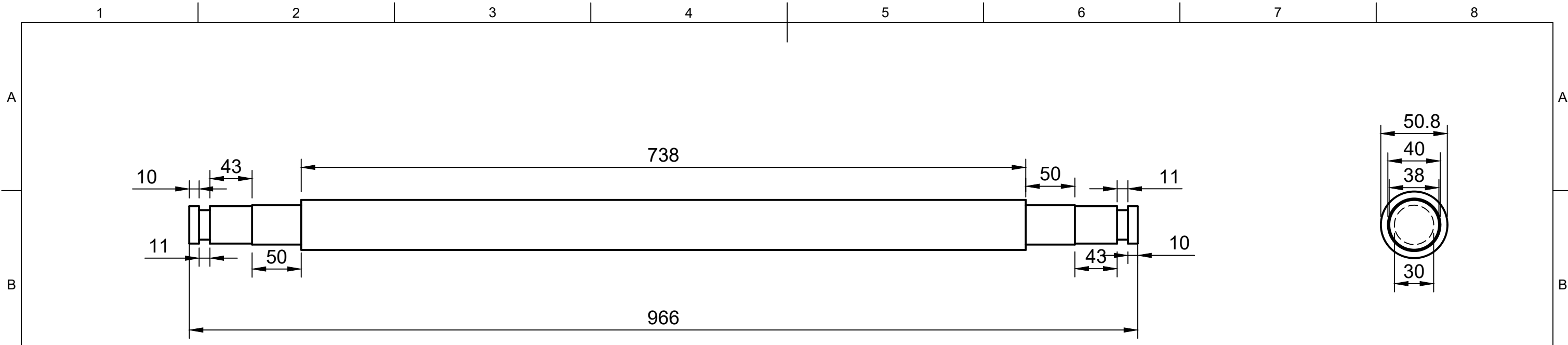



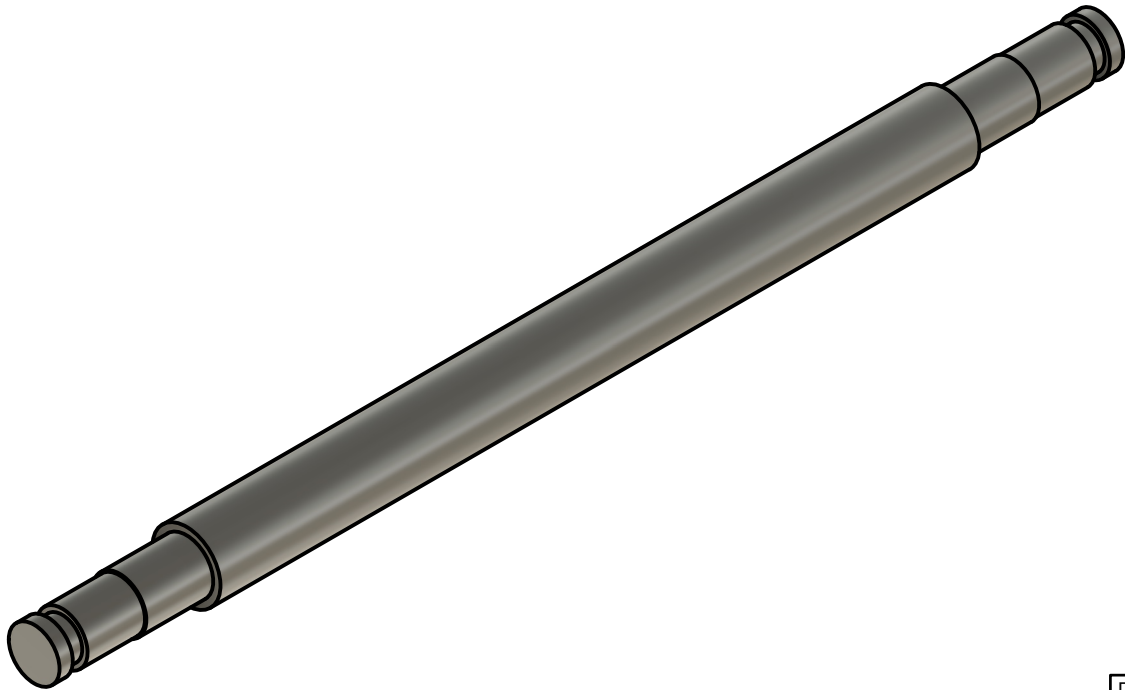
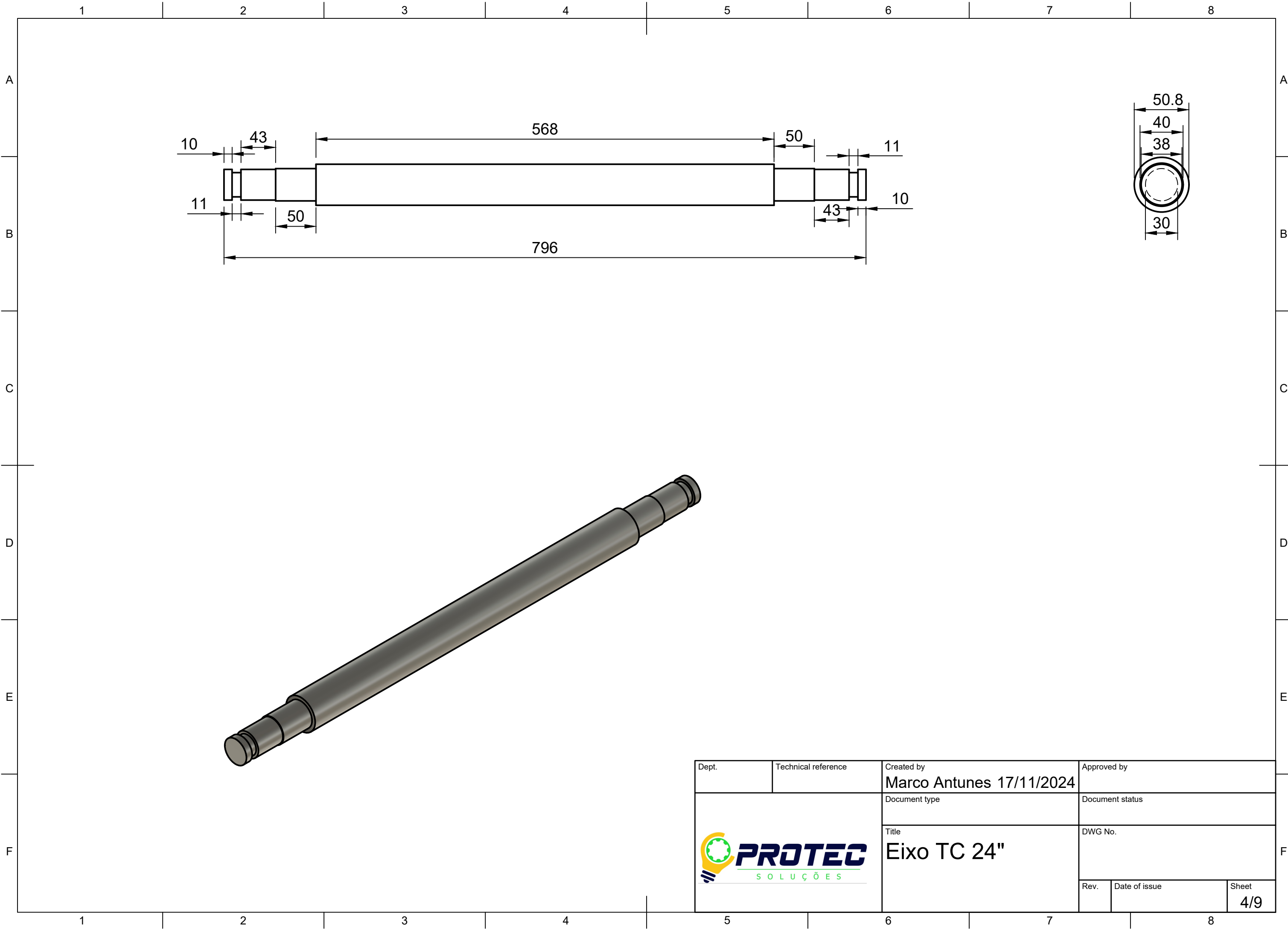
Dept.	Technical reference	Created by Marco Antunes 17/11/2024	Approved by
		Document type	Document status
		Title Flange tambor 310mm	
Rev.	Date of issue	Sheet 1/9	




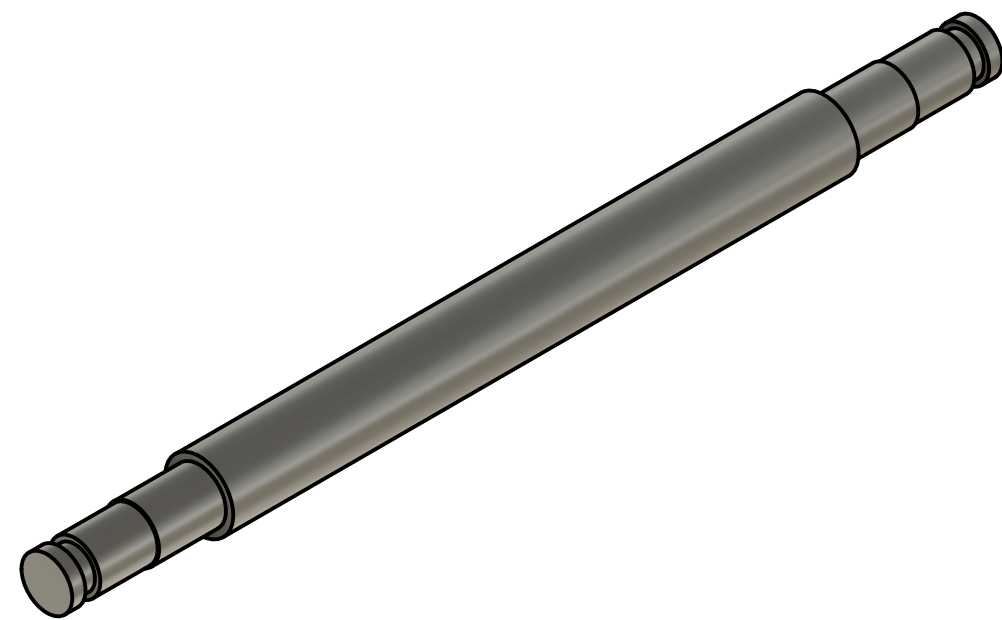
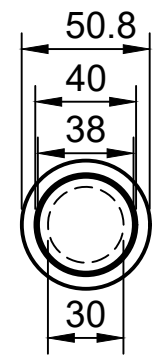
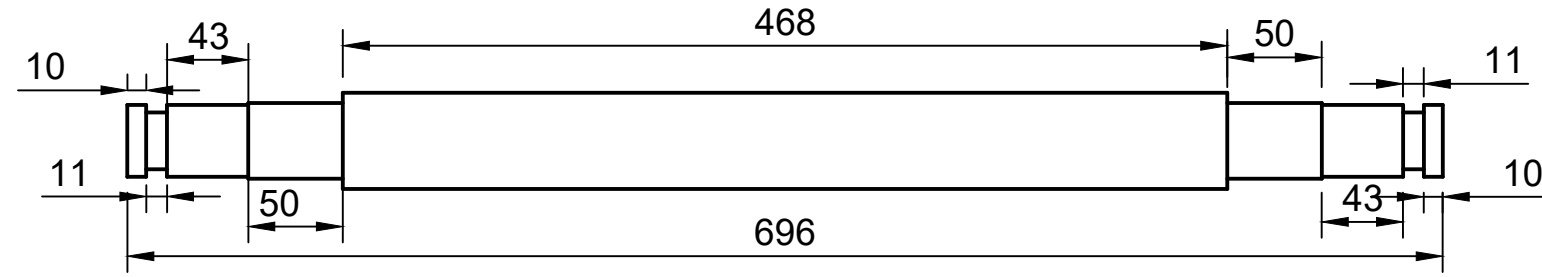
Dept.	Technical reference	Created by Marco Antunes 17/11/2024	Approved by
		Document type	Document status
		Title Eixo TC 36"	DWG No.
Rev.	Date of issue	Sheet 2/9	




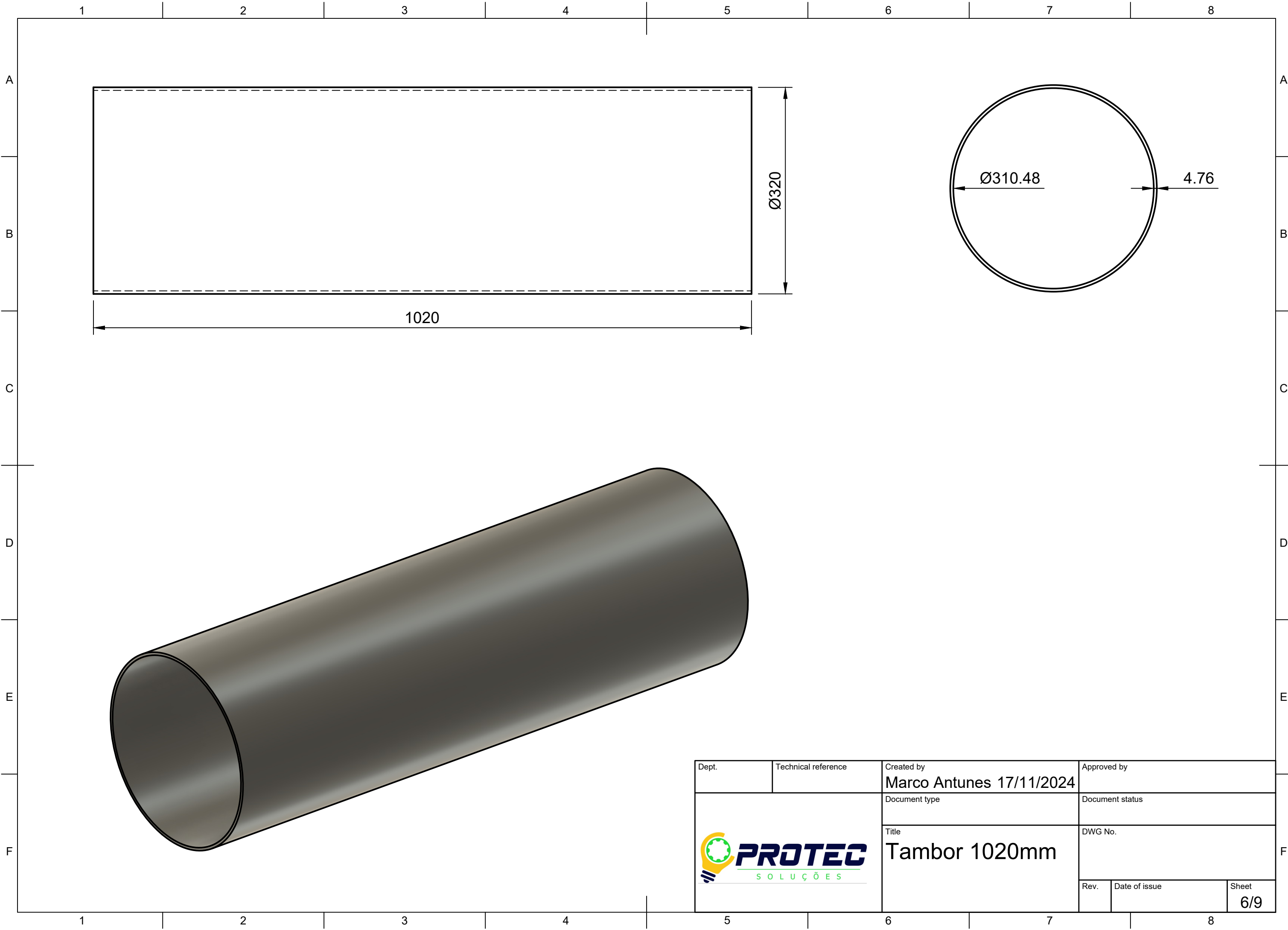
Dept.	Technical reference	Created by Marco Antunes 17/11/2024	Approved by
		Document type	Document status
		Title Eixo TC 30"	DWG No.
Rev.	Date of issue	Sheet 3/9	




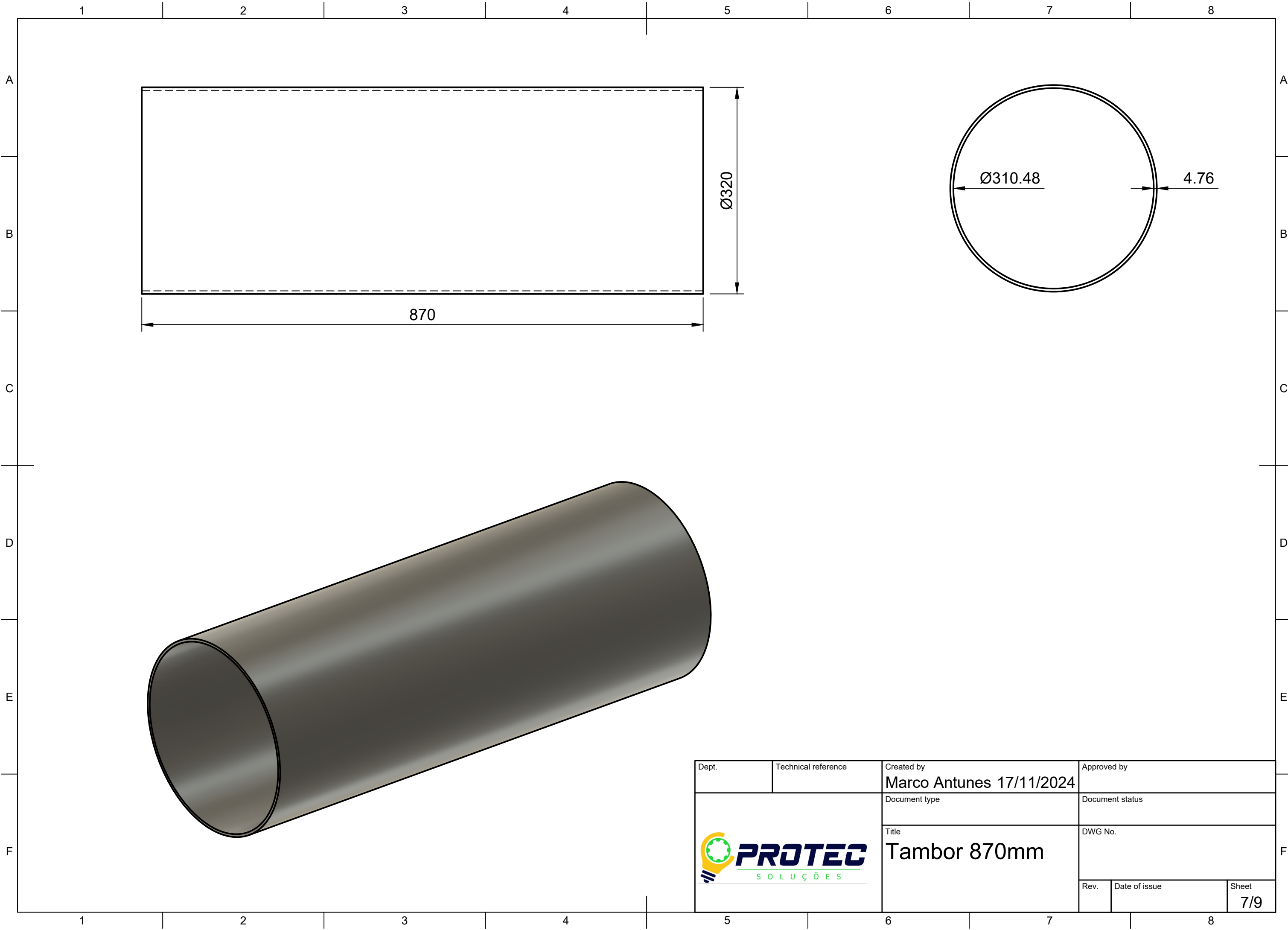
Dept.	Technical reference	Created by Marco Antunes 17/11/2024	Approved by
		Document type	Document status
		Title Eixo TC 24"	DWG No.
Rev.	Date of issue	Sheet 4/9	




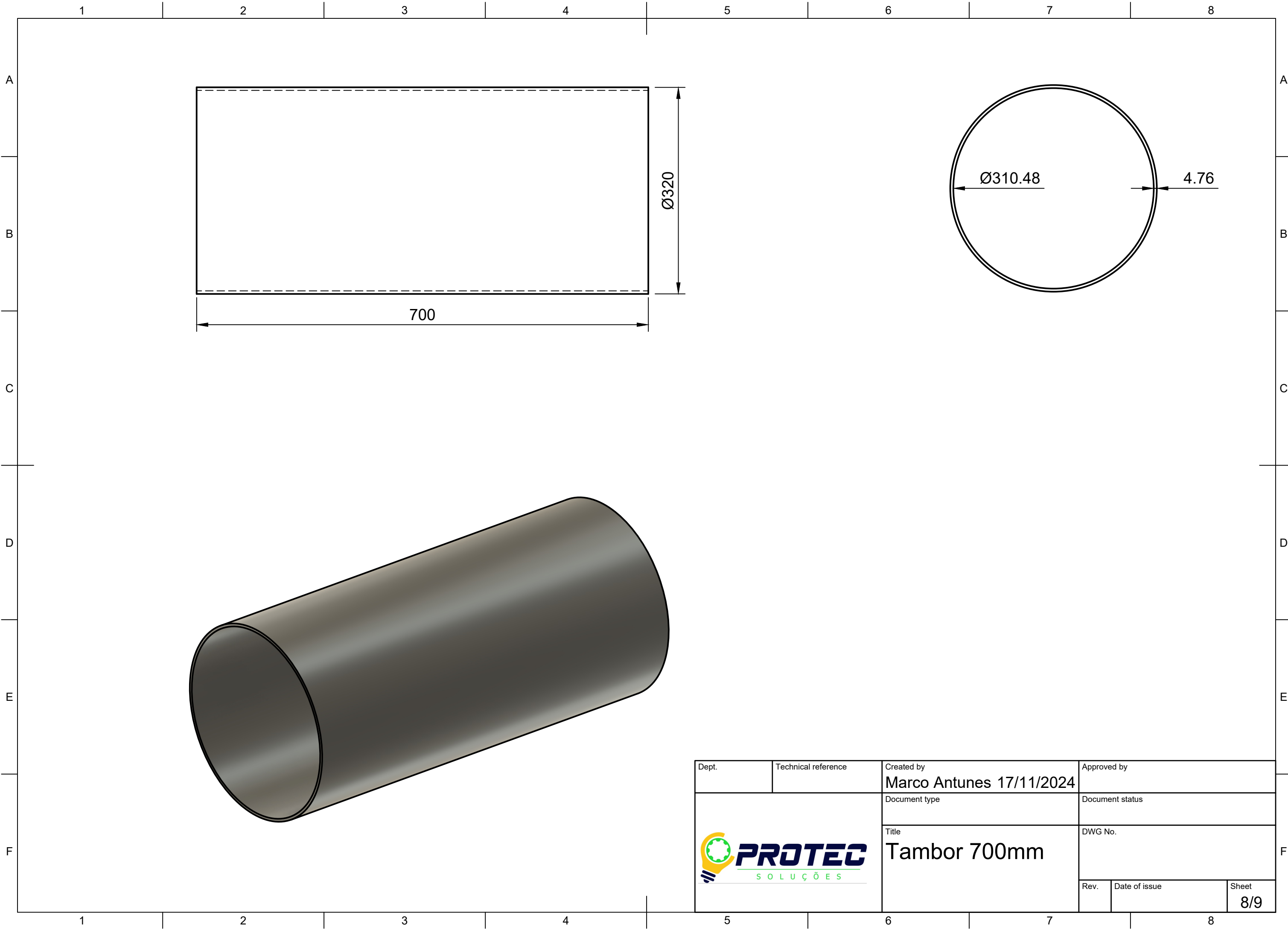
Dept.	Technical reference	Created by Marco Antunes 17/11/2024	Approved by
		Document type	Document status
		Title Eixo TC 20"	DWG No.
	Rev.	Date of issue	Sheet 5/9




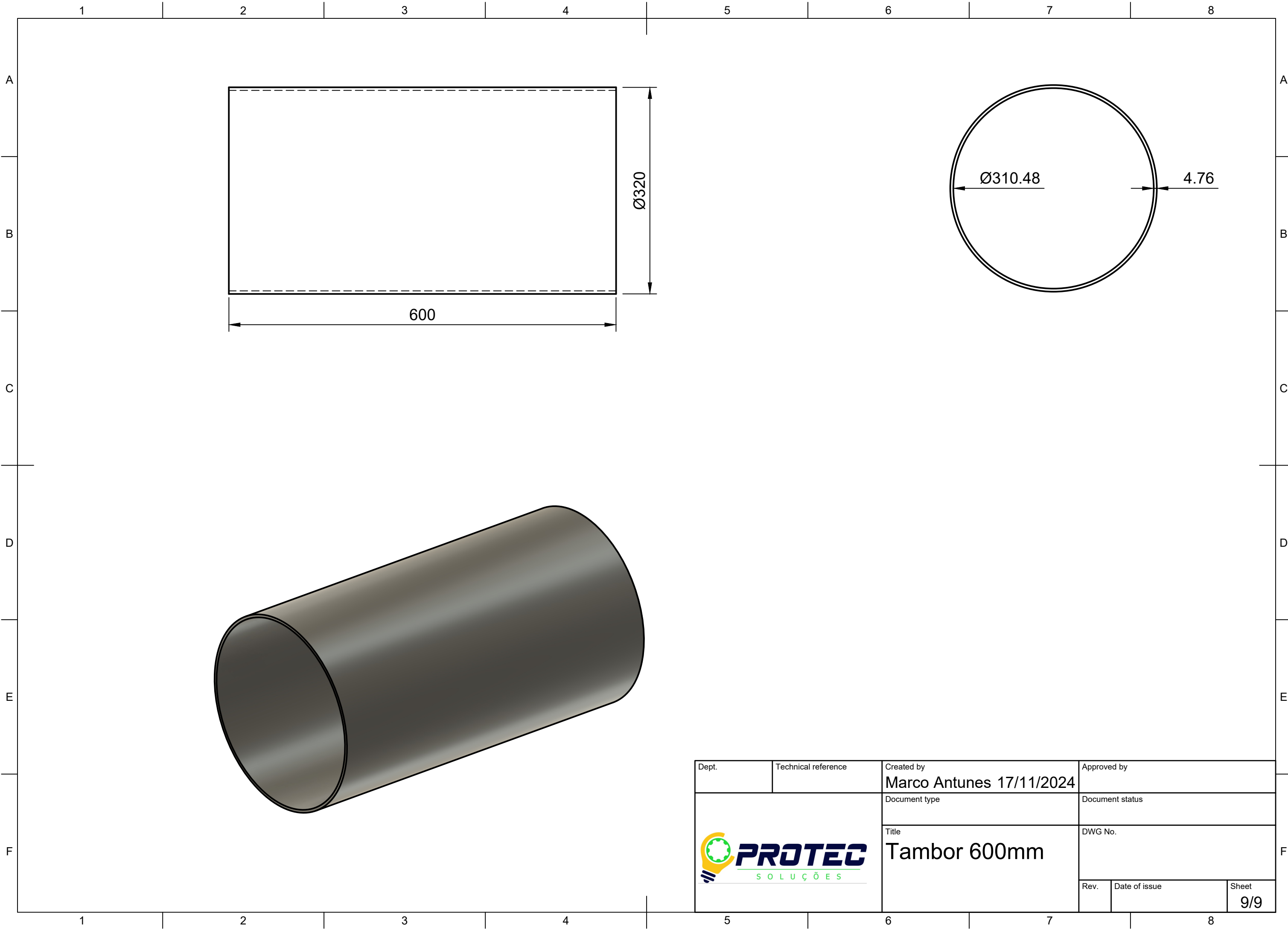
Dept.	Technical reference	Created by Marco Antunes 17/11/2024	Approved by
		Document type	Document status
		Title Tambor 1020mm	DWG No.
	Rev.	Date of issue	Sheet 6/9




Dept.	Technical reference	Created by Marco Antunes 17/11/2024	Approved by
		Document type	Document status
		Title Tambor 870mm	DWG No.
Rev.	Date of issue	Sheet 7/9	



Dept.	Technical reference	Created by Marco Antunes 17/11/2024	Approved by
		Document type	Document status
		Title Tambor 700mm	DWG No.
Rev.	Date of issue	Sheet 8/9	



Dept.	Technical reference	Created by Marco Antunes 17/11/2024	Approved by
		Document type	Document status
		Title Tambor 600mm	DWG No.
Rev.	Date of issue	Sheet 9/9	