
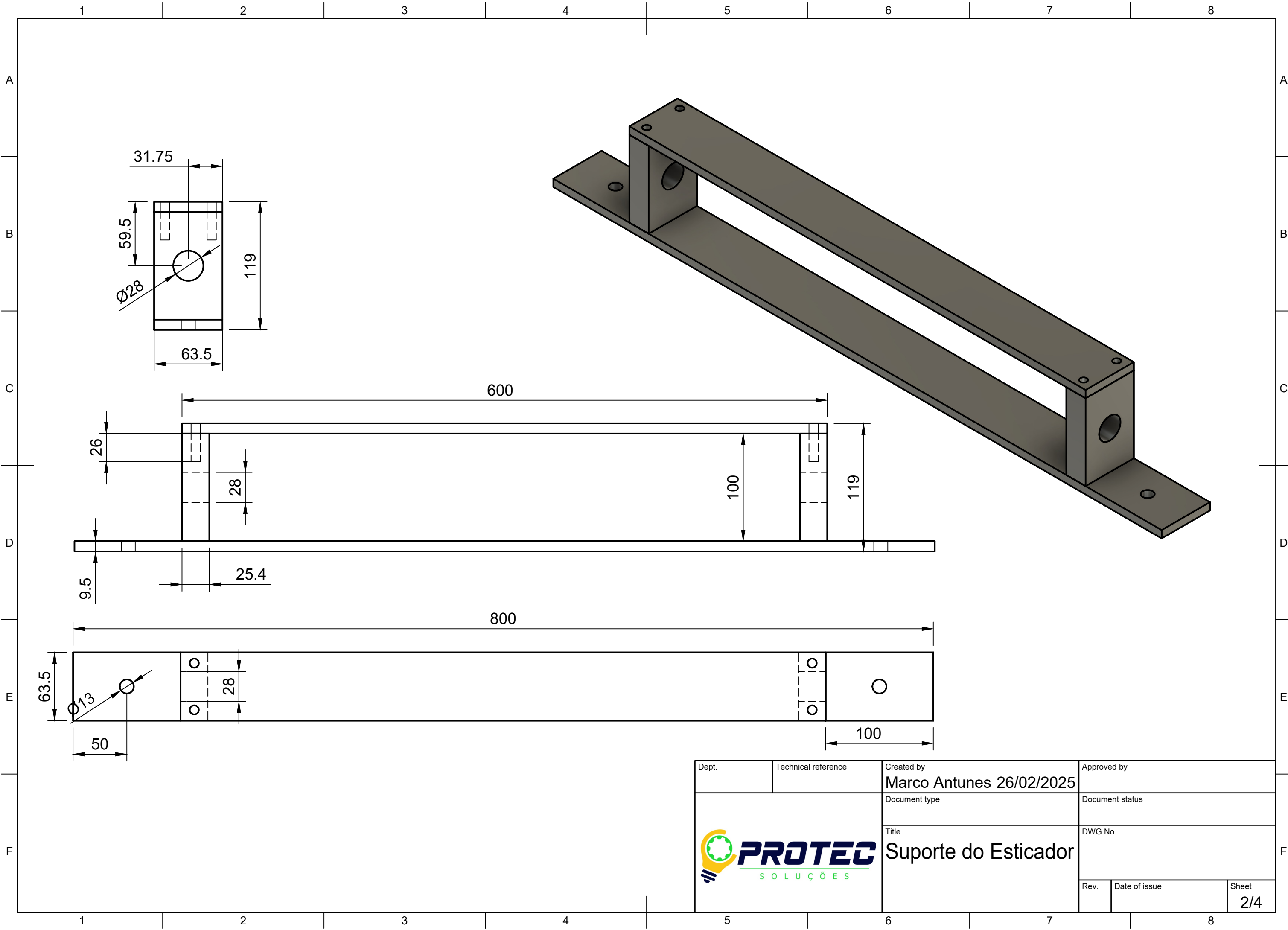

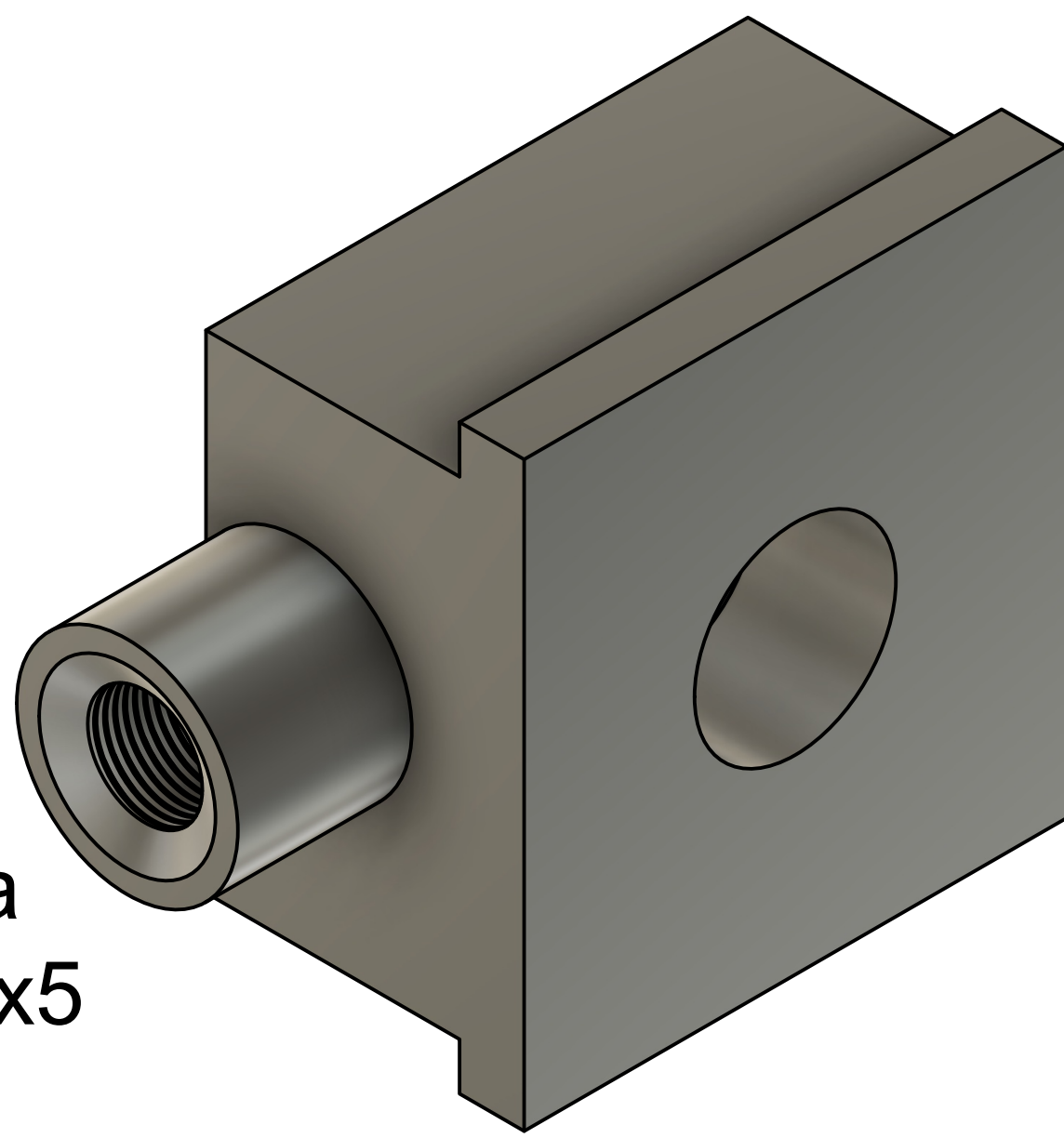
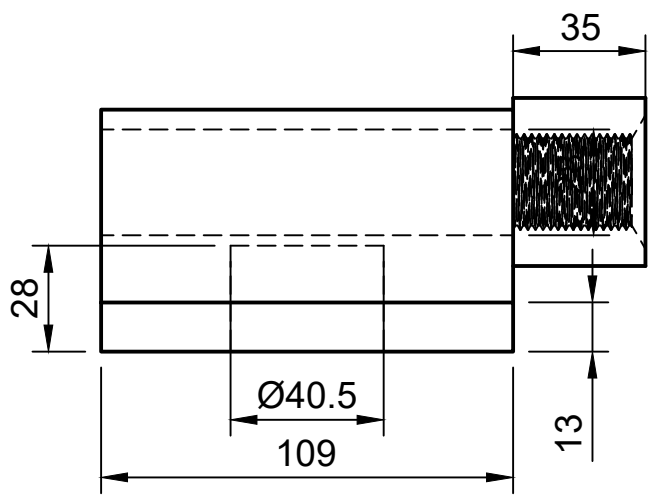
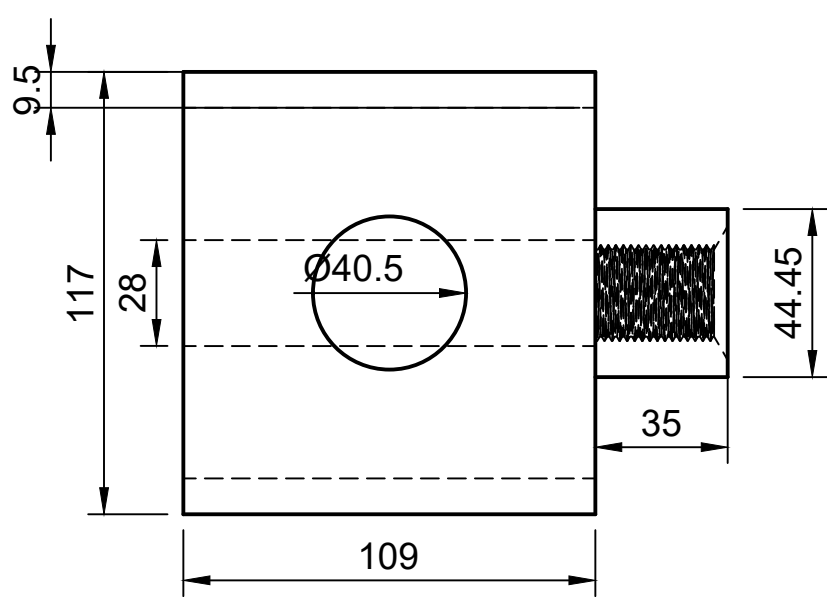
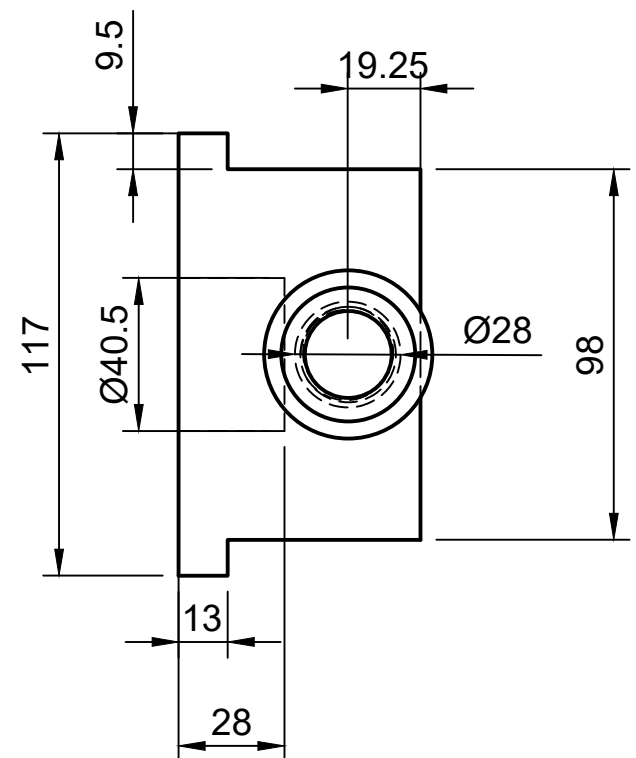



Dept.	Technical reference	Created by Marco Antunes 26/02/2025	Approved by
		Document type	Document status
		Title Suporte do Esticador	
Rev.	Date of issue	Sheet 1/4	

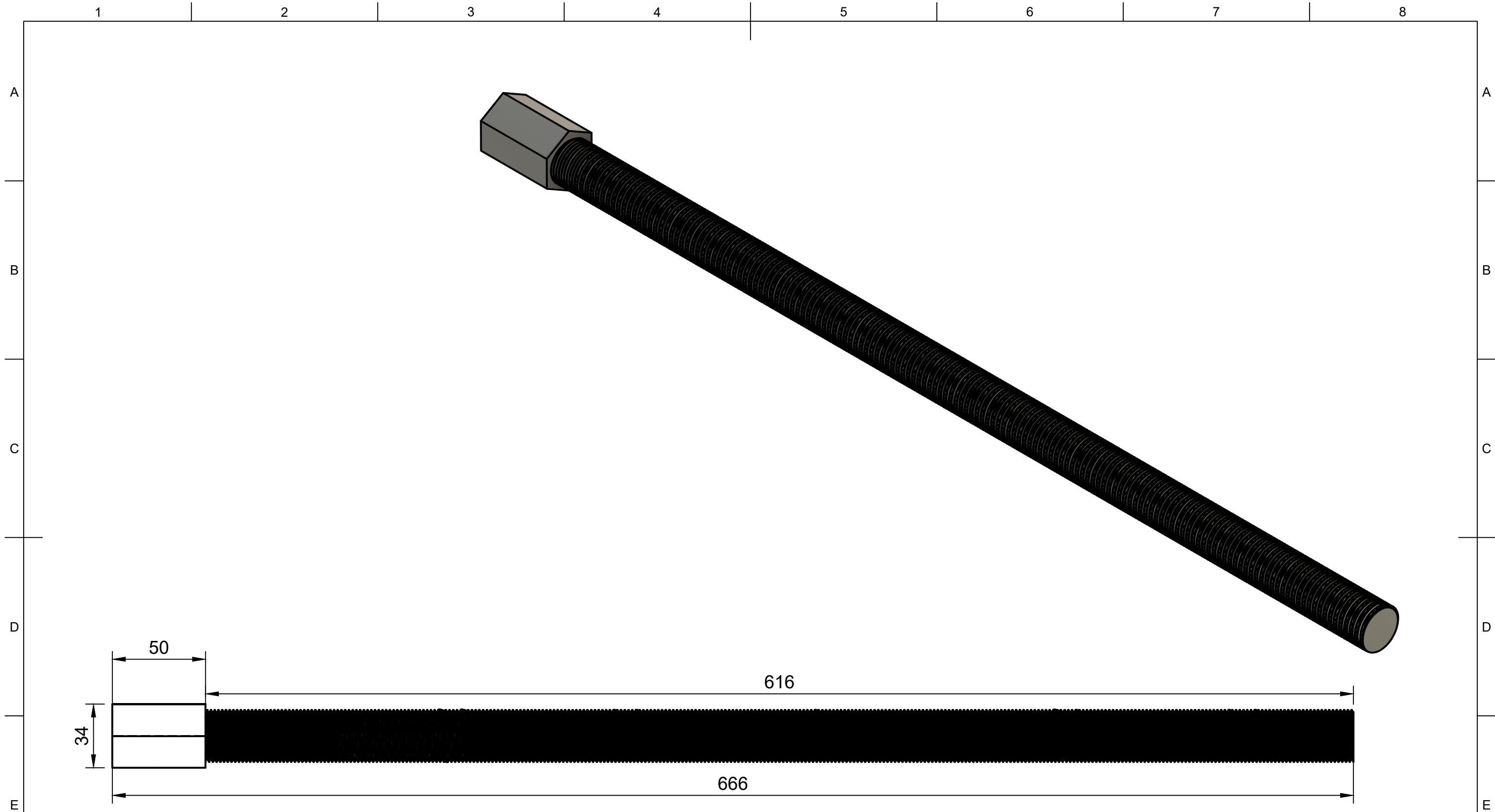



Dept.	Technical reference	Created by Marco Antunes 26/02/2025	Approved by
		Document type	Document status
		Title Suporte do Esticador	DWG No.
Rev.	Date of issue	Sheet 2/4	



Rosca
TR25x5

Dept.	Technical reference	Created by Marco Antunes 26/02/2025	Approved by
		Document type	Document status
		Title Suporte do Esticador	DWG No.
Rev.	Date of issue	Sheet 3/4	



Dept.	Technical reference	Created by Marco Antunes 26/02/2025	Approved by	
		Document type	Document status	
		Title Suporte do Esticador	DWG No.	
	Rev.	Date of issue	Sheet 4/4	