
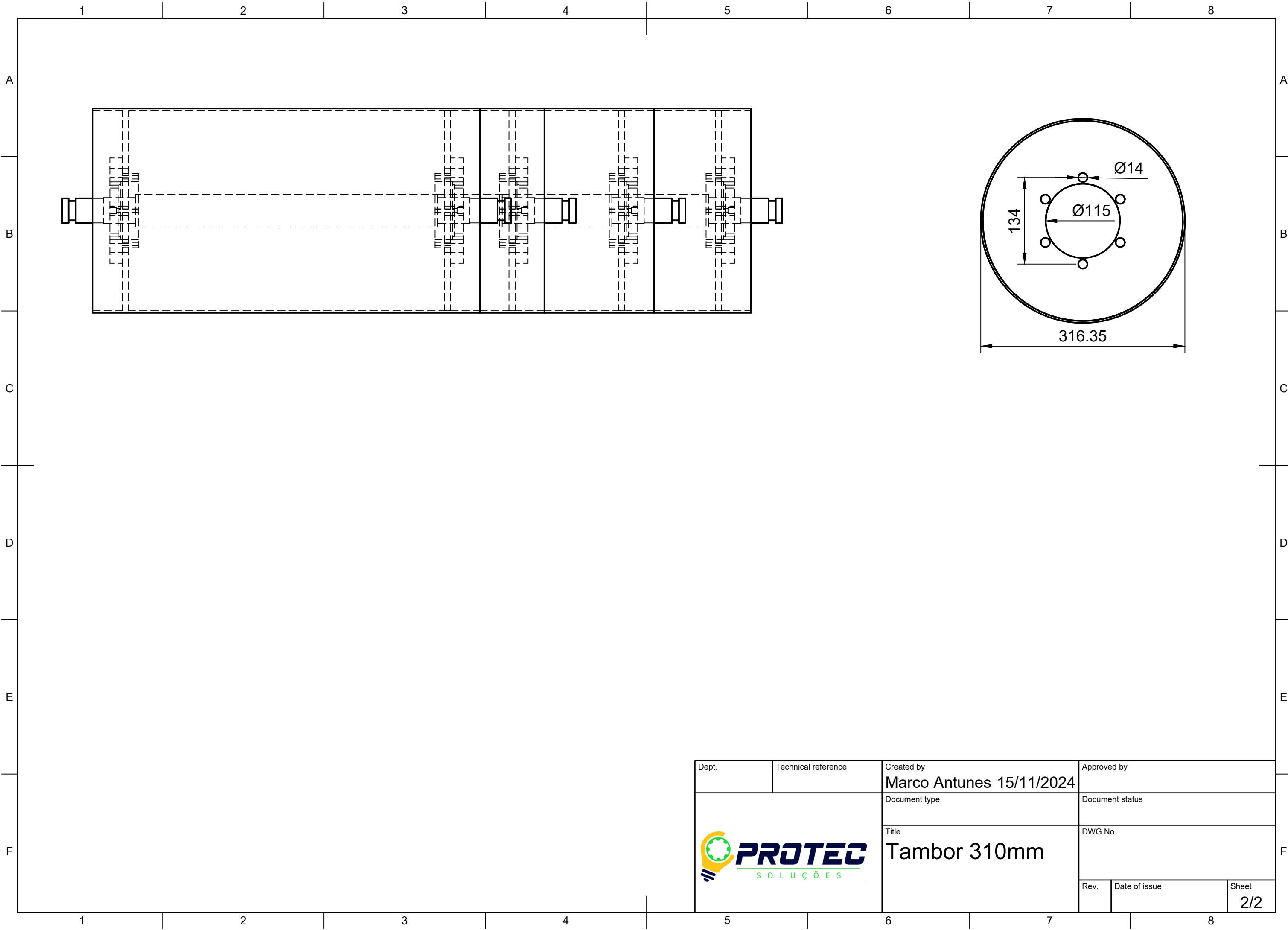



Item	Quantidade	Tamanho
Tambor 1020mm		
Eixo	1	TC 36"
Caixa de Mancal Grande	2	Ø163
Retentor	2	Ø40x70x10
Rolamento 21308	2	
Flange	2	Ø310
Cilindro	1	Ø316.35
Parafusos sextavado	12	M12X50mm

Dept.	Technical reference	Created by Marco Antunes 15/11/2024	Approved by
		Document type	Document status
		Title Tambor 310mm	DWG No.
Rev.	Date of issue	Sheet 1/2	



Dept.	Technical reference	Created by Marco Antunes 15/11/2024	Approved by
		Document type	Document status
		Title Tambor 310mm	DWG No.
Rev.	Date of issue	Sheet 2/2	