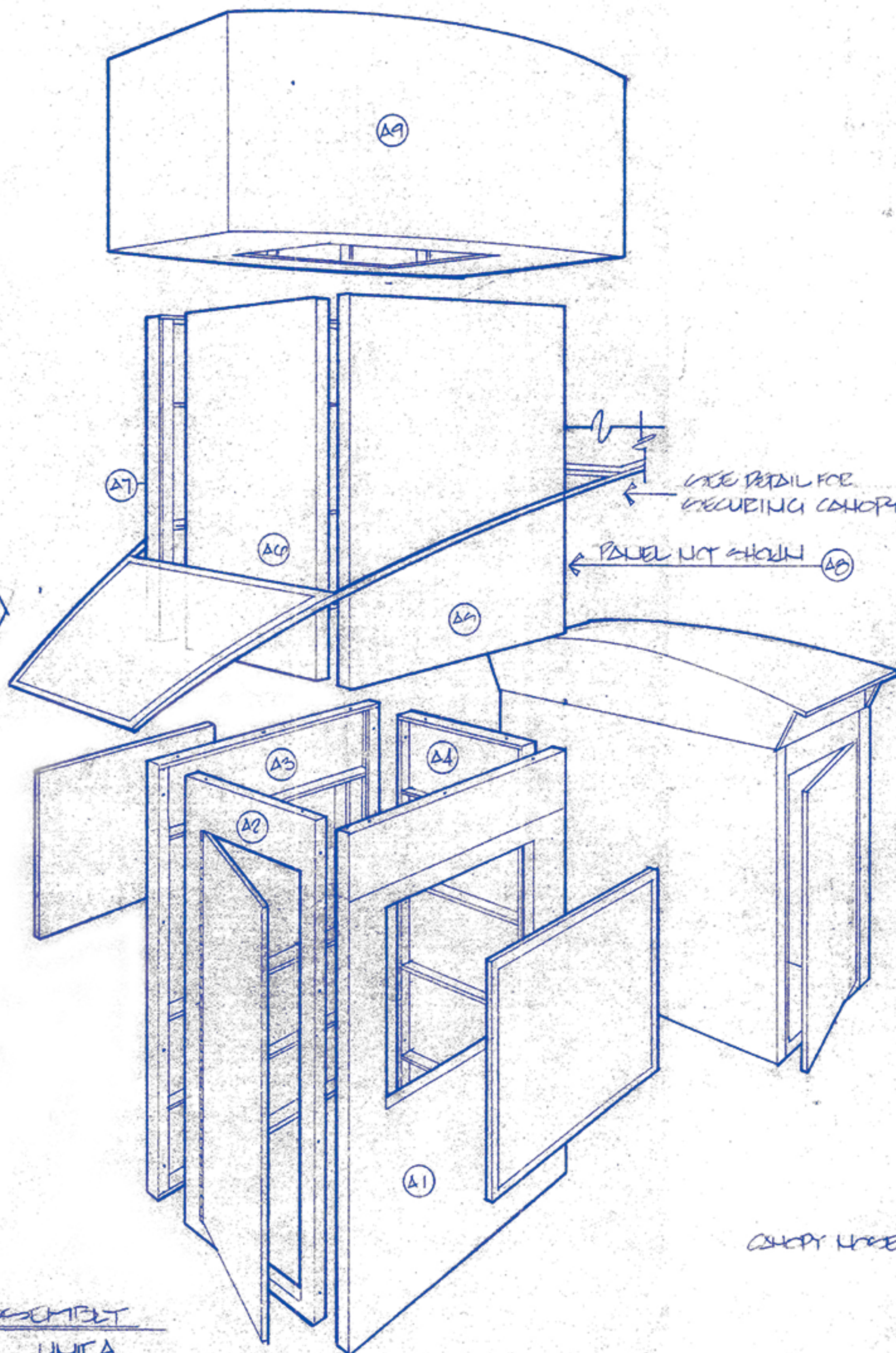
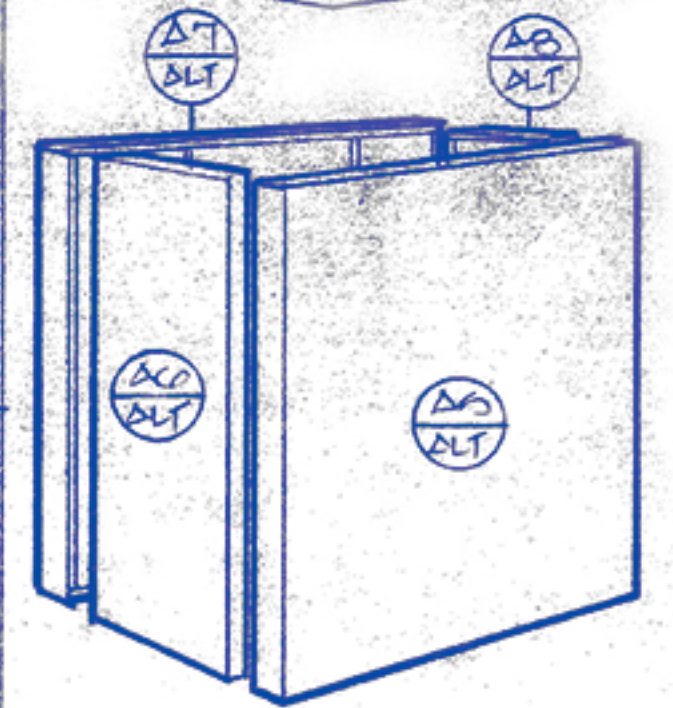


Hardware Schedule	
QTY	TYPE
70	2" x 1/4" x 20 CARRIAGE BOLTS
70	1/4" x 20 WING NUTS
3	2" x 1/4" x 20 HEX BOLTS
16	2" x 1/4" x 20 BUTTON HEAD BUSH DRIVE BOLTS
LAMP SCHEDULE	
2	PROW HOLLOW CONDUITS



FOR COMPLETE ASSEMBLY INSTRUCTIONS FOR CANOPY, SEE CANOPY SET-UP INSTRUCTIONS ON PAGE 21

ALTERATE TOWER HEIGHT
USE THESE PANELS FOR ASSEMBLY OF ALTERATE 14'-0" MAIN TOWER - SEE FLOORPLAN FOR NOTES



IMPORTANT ASSEMBLY NOTE

EXPLODED ASSEMBLY
MAIN TOWER UNIT A

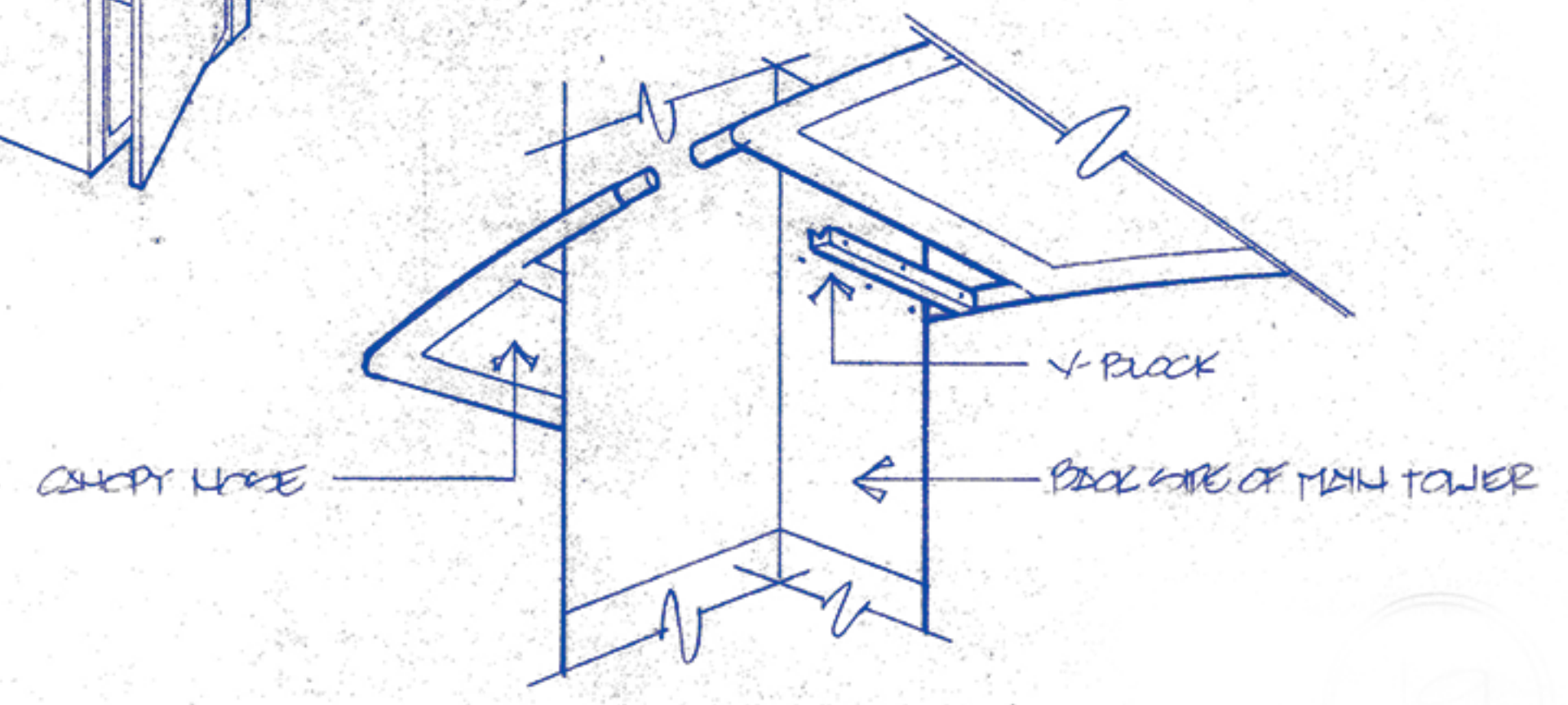
Assembly Instructions

1. BOLT PANELS A1 THRU A4 TOGETHER USING FIVE 2" x 1/4" x 20 CARRIAGE BOLTS AND WING NUTS PER BREAK
2. BOLT UPPER PANELS TO LOWER PANELS WITH THREE BOLTS ON LONG SIDE AND TWO BOLTS ON SHORT SIDE, USE 2" x 1/4" x 20 CARRIAGE BOLTS AND WING NUTS
3. BOLT UPPER PANELS TOGETHER USING THREE 2" x 1/4" x 20 CARRIAGE BOLTS AND WING NUTS PER BREAK
4. BOLT PICK UP HEADER TO TOP OF TOWER PANELS WITH EIGHT 2" x 1/4" x 20 CARRIAGE BOLTS AND WING NUTS

OVER HEAD CANOPY

5. AFTER CANOPY HAS BEEN ASSEMBLED AND ATTACHED TO SMALL TOWERS, LIFT CANOPY ABOVE POINT WHERE IT ATTACHES TO TOWER
6. ATTACH V-BLOCK TO TOWER WITH THREE 2" x 1/4" x 20 HEX HEAD BOLTS
7. CANOPY SIMPLY RESTS IN V-GROOVE
8. ATTACH NOSE OF CANOPY BY SOCKETING AS SHOWN IN DETAIL BELOW
9. BOLT FRONT PANELS TO SIDES OF TOWER WITH EIGHT 2" x 1/4" x 20 BUTTON HEAD BUSH DRIVE BOLTS

NOTE:
FOR COMPLETE DETAILS FOR ASSEMBLING THEATER, SEE EXPLODED ASSEMBLY ON PAGE 18



CANOPY TO MAIN TOWER