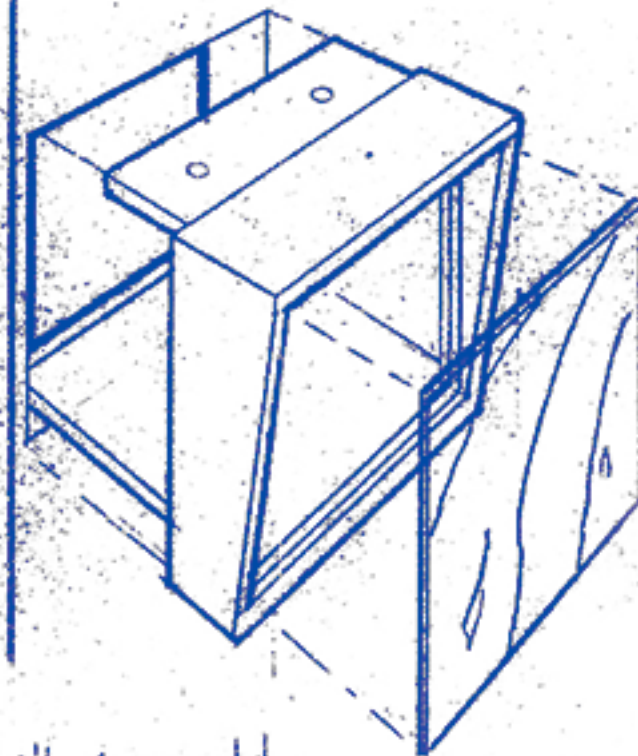
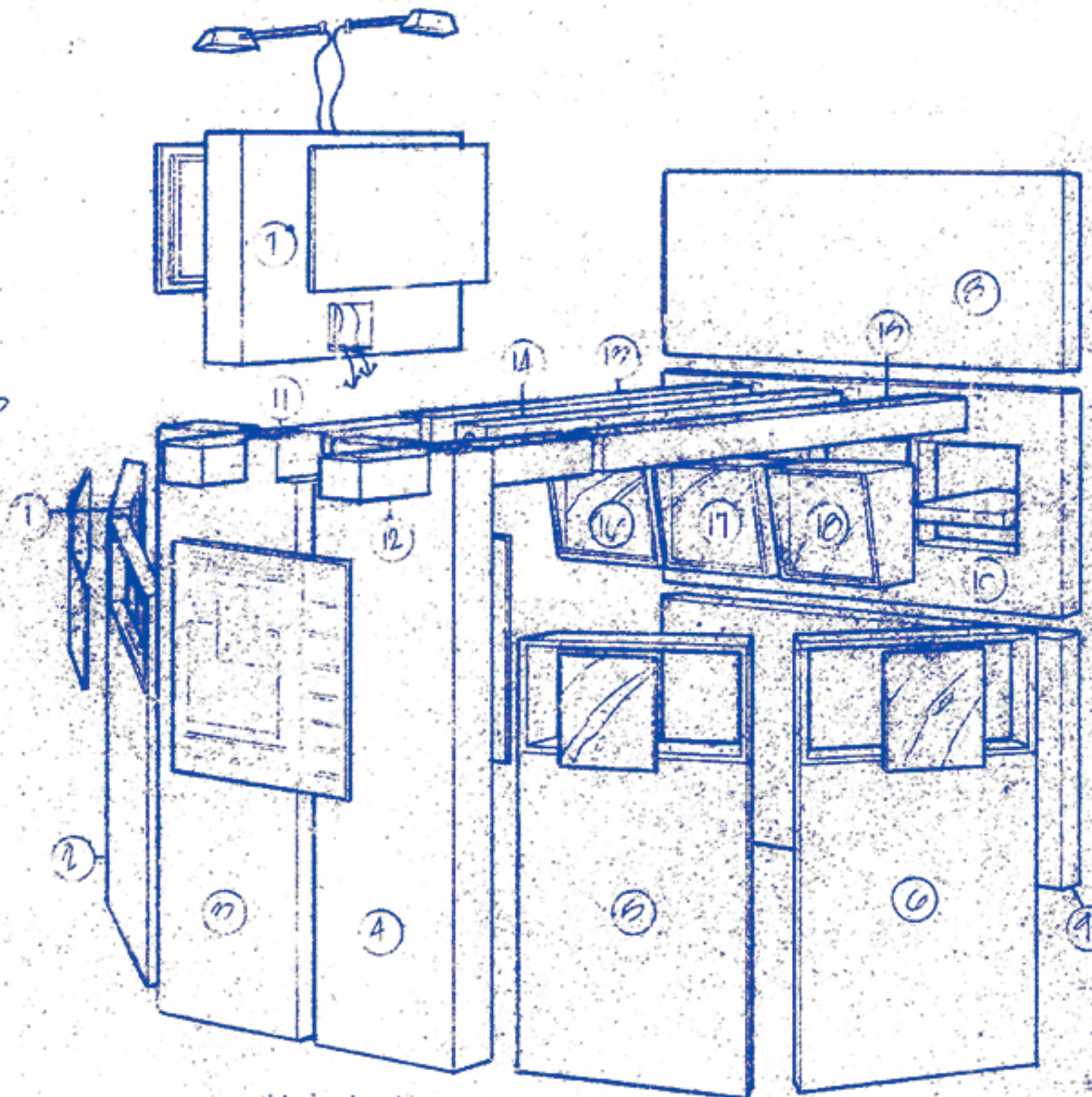


- assembly instructions
- bolt panel 25 to panel 26 with four 2"x1/4"x20 carriage bolts and wing nuts
  - bolt panel 24 to panel 25 with four 2"x1/4"x20 carriage bolts and wing nuts
  - bolt panel 9 between panels 24 and 61 with two 2"x1/4"x20 carriage bolts and wing nuts per side. See.
  - bolt panel 10 between panels 24 and 61 and to panel 9 with seven 2"x1/4"x20 carriage bolts and wing nuts
  - bolt panel 21 to panels 26 and 61 with four 2"x1/4"x20 carriage bolts and wing nuts
  - bolt panel 23 to panels 20 and 25 with four 2"x1/4"x20 carriage bolts and wing nuts
  - bolt panel 22 to panels 23 and 24 with four 2"x1/4"x20 carriage bolts and wing nuts
  - bolt panel 8 between panels 22 and 60 and to panel 10 with four 2"x1/4"x20 carriage bolts and wing nuts
  - cut stand cut 1 x 25 on panel 22
  - cut sign 21 to stand off
  - clamp arm light at top and chase power thru stand off and thru panel 22
  - secure header 61 to panel 21 as shown in detail A
  - cam lock panel 5 to panel 4 and position as per floor plan
  - cam lock panel 3 to panel 14
  - cam lock panel 2 to panel 2
  - cam lock panel 1 to panel 2
  - cam lock panel 6 to panel 5
  - install maple top pieces with four marakoshi bolts each
  - bolt sign 1 to panels 5 and 4 with four 2"x1/4"x20 hex bolts. clamp arm lights to sign and chase power thru sign to m.o. in beam 12.
  - bolt beams 12 and 13 together with four 2"x1/4"x20 carriage bolts and wing nuts. install to panel 10 with four 2"x1/4"x20 carriage bolts and wing nuts. install to panel 4 as shown in detail C
  - repeat step 51 with beams 11 and 15
  - bolt beam 14 between sign 1 and panel 10 with four 2"x1/4"x20 carriage bolts and four 2"x1/4"x20 hex bolts

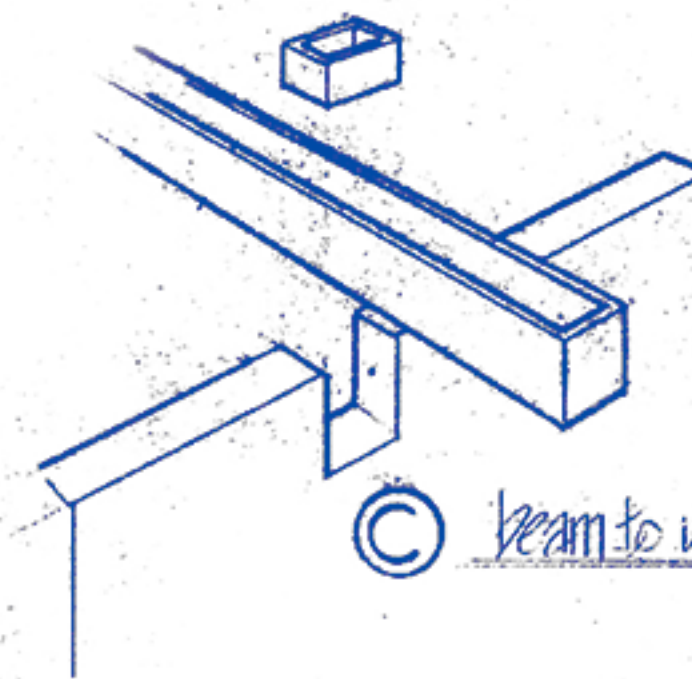
- assembly instructions
- slide bezel assembly into opening and secure with four 2"x1/4"x20 carriage bolts and wing nuts
  - secure spoked ply to ledgers provided with v.c.b.o.



ⓑ veel to wall assembly

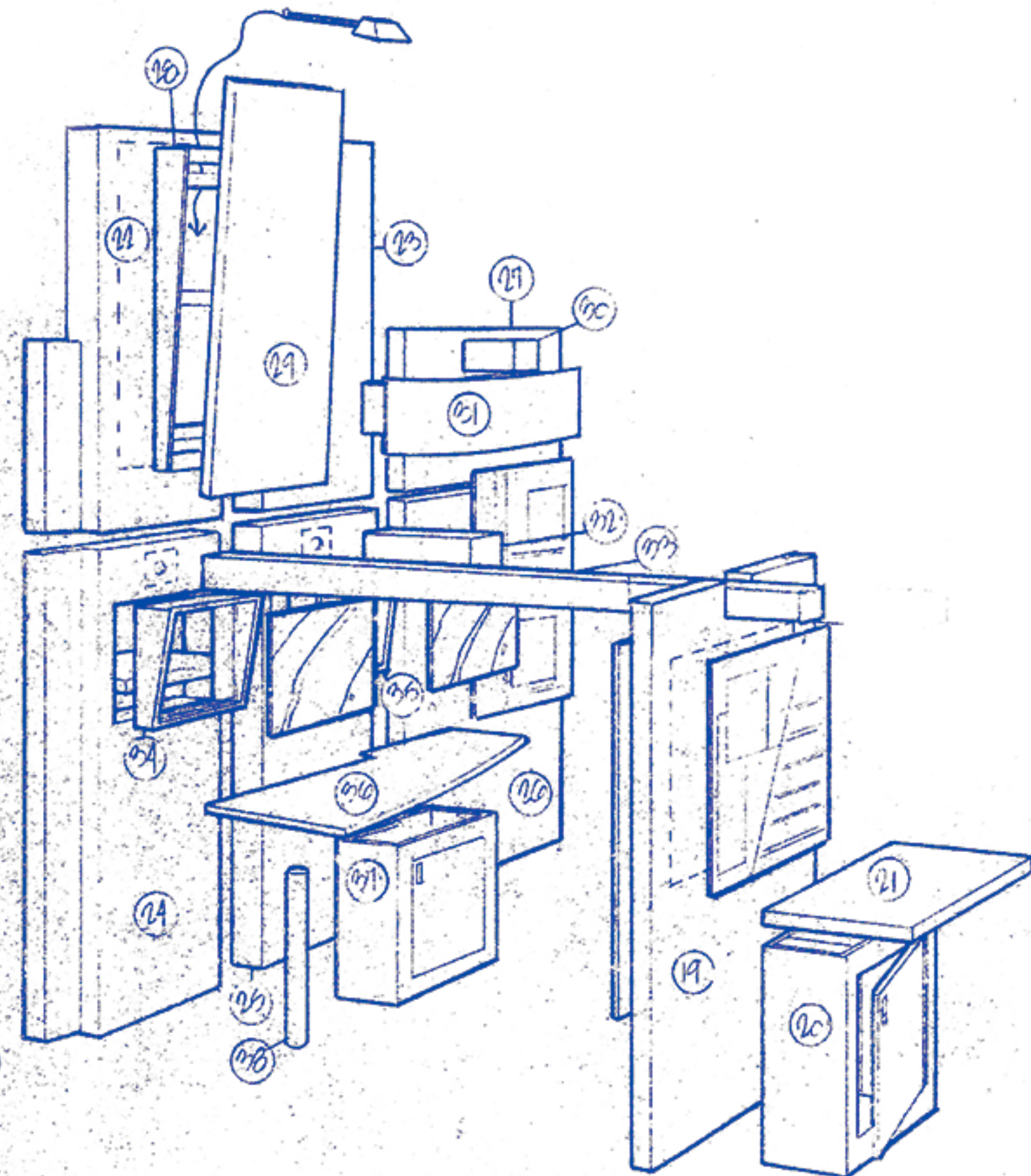


- assembly instructions (cont.)
- position panel 14 as per floor plan
  - bolt beam 55 to panel 24 with four 2"x1/4"x20 carriage bolts and wing nuts
  - bolt cabinet 20 to panel 14 with four 2" hex bolts
  - install counter 21 to cab 20 with spin blocks
  - bolt cabinet 21 to panels 25 and 26 with two 2"x1/4"x20 carriage bolts and wing nuts



- assembly instructions
- seat beam into panel socket and secure with two 2"x1/4"x20 carriage bolts with reverse wing nuts

Ⓒ beam to wall assembly



- assembly instructions (cont.)
- bolt leg 56 to counter 21 with two 3/4"x1/4"x20 hex bolts
  - bolt counter 21 to panel 24 with two 2"x1/4"x20 carriage bolts
  - bolt beam 52 to panel 25 with four 2"x1/4"x20 carriage bolts and wing nuts
  - install bezels 16, 17, 18, 24 and 25 as shown in detail D

2

Exploded Assembly  
counter main side