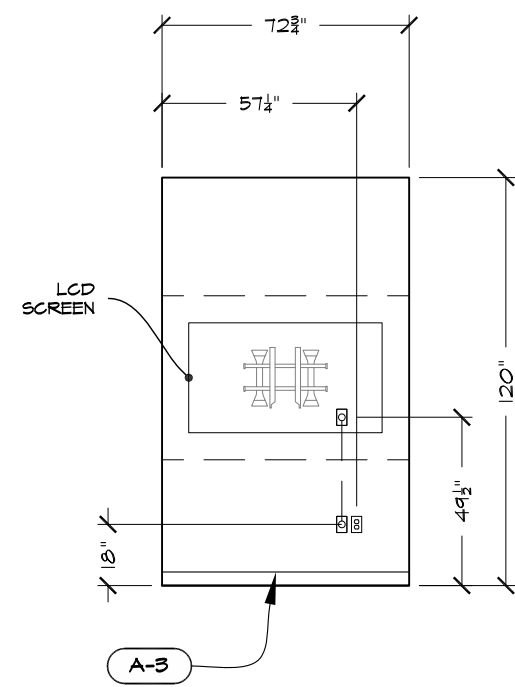
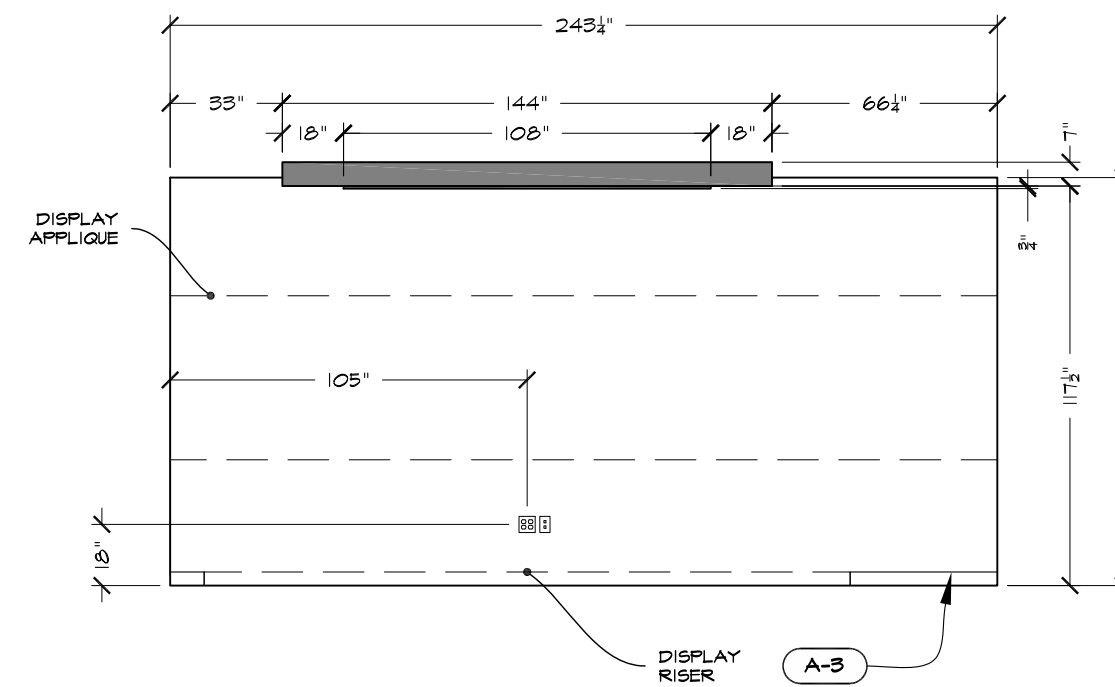


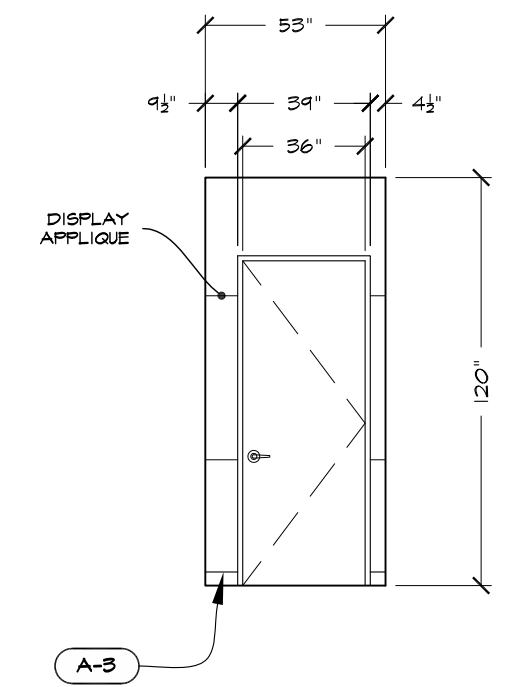
01 ELEVATION - WALL SCALE: 1/4" = 1'



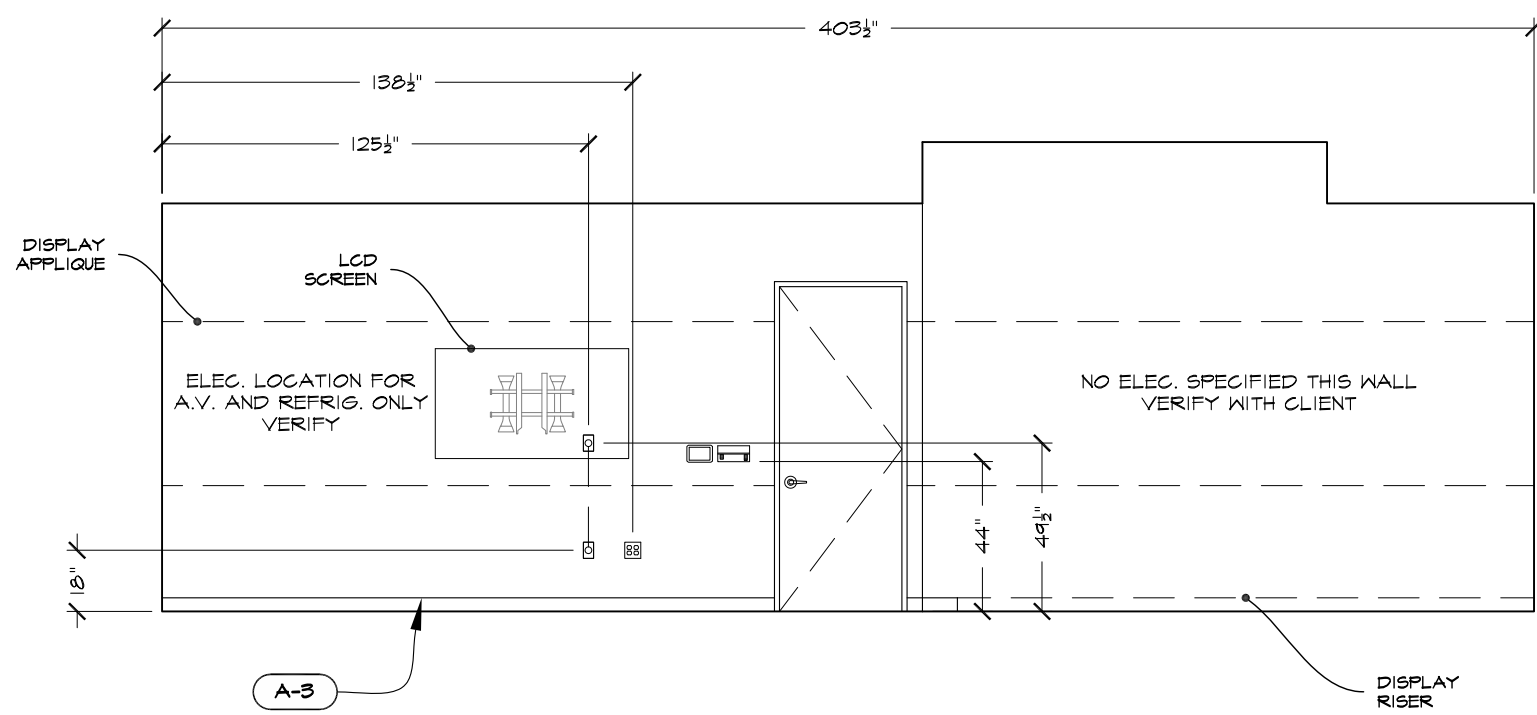
02 ELEVATION - WALL SCALE: 1/4" = 1'



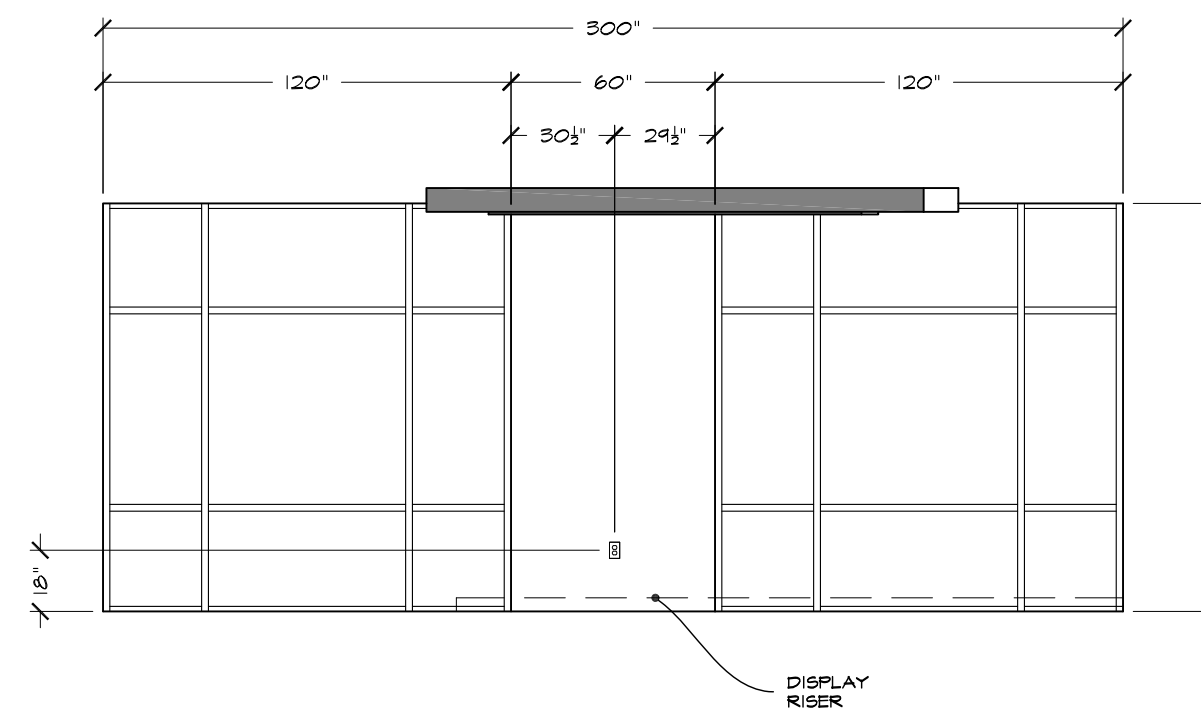
03 SECTION - WALL SCALE: 1/4" = 1'



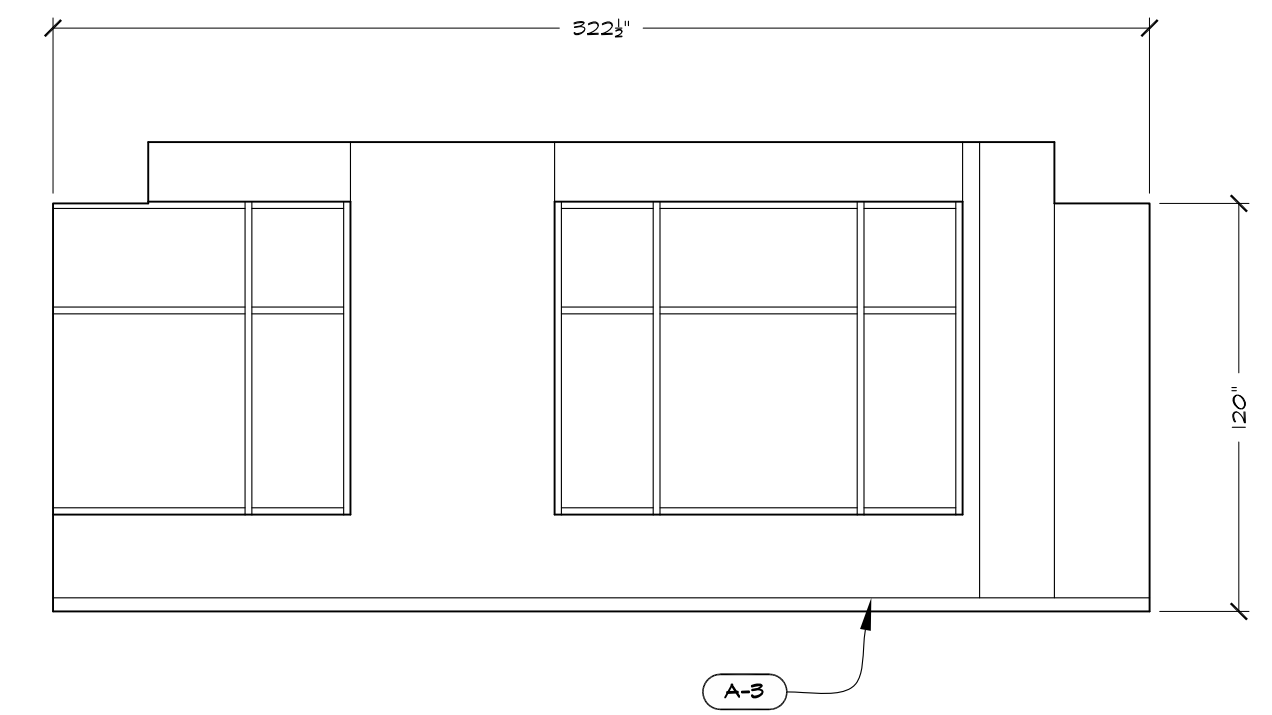
04 ELEVATION - WALL SCALE: 1/4" = 1'



05 ELEVATION - WALL SCALE: 1/4" = 1'



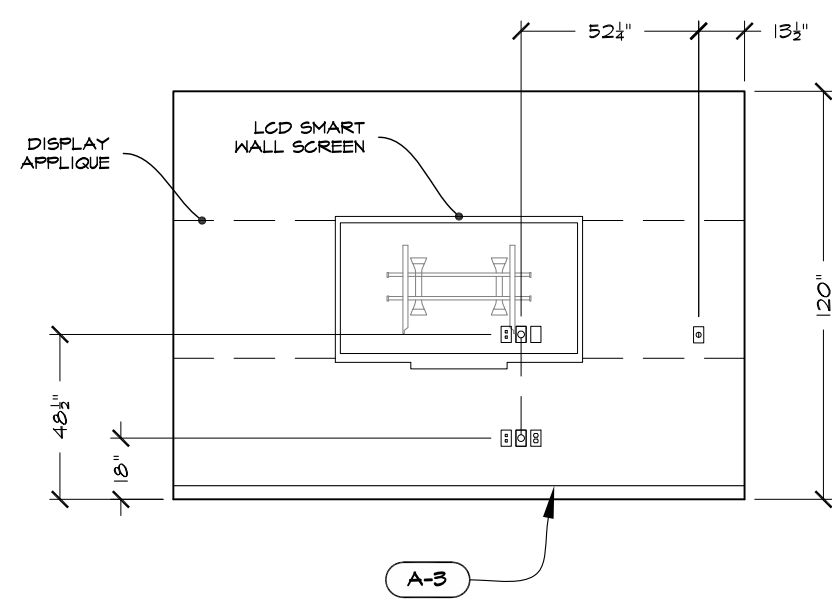
06 SECTION - WALL SCALE: 1/4" = 1'



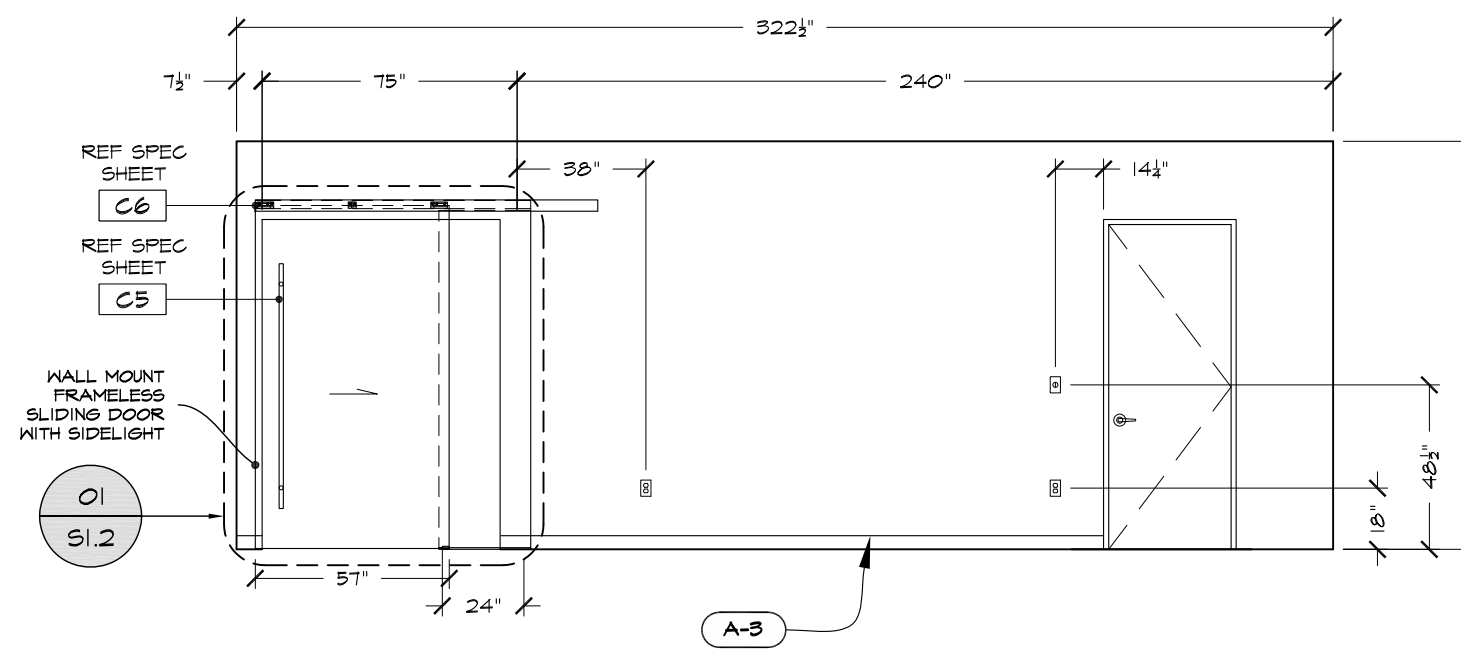
07 ELEVATION - WALL SCALE: 1/4" = 1'

ELECTRICAL SYMBOLS (ELEVATION)

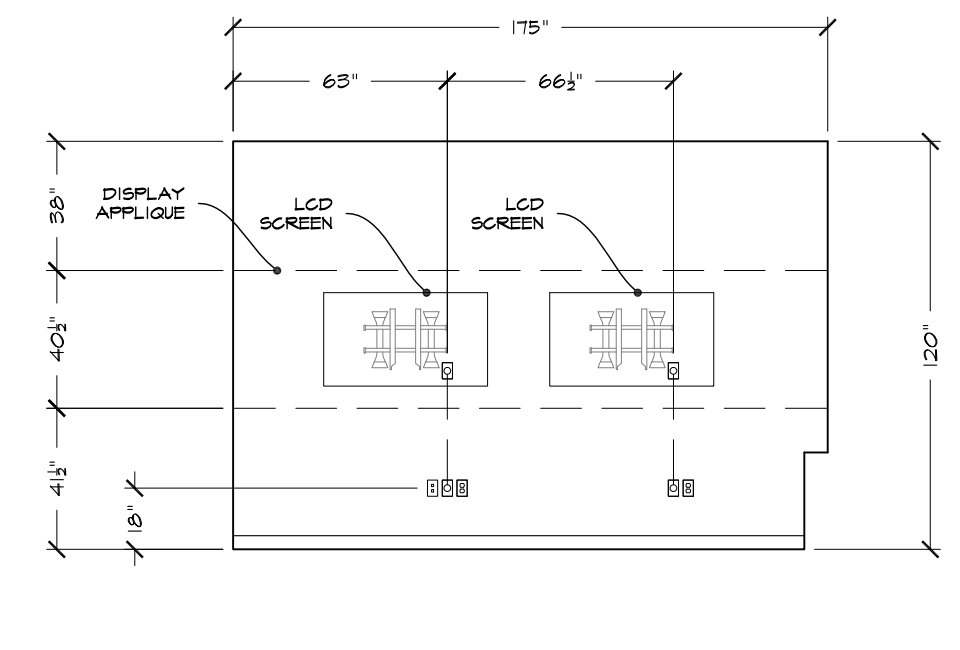
- DUPLEX OUTLET AT INDICATED HEIGHT
- DOUBLE DUPLEX OUTLET AT INDICATED HEIGHT
- WALL GROMMET PLATE FOR ELEC. CHASE
- WALL DATA OUTLET - VERIFY NEED WITH CLIENT
- THERMOSTAT
- LIGHTING CONTROL PANEL
- WALL DIMMER SWITCH



08 ELEVATION - WALL SCALE: 1/4" = 1'



09 ELEVATION - WALL SCALE: 1/4" = 1'



10 ELEVATION - WALL SCALE: 1/4" = 1'