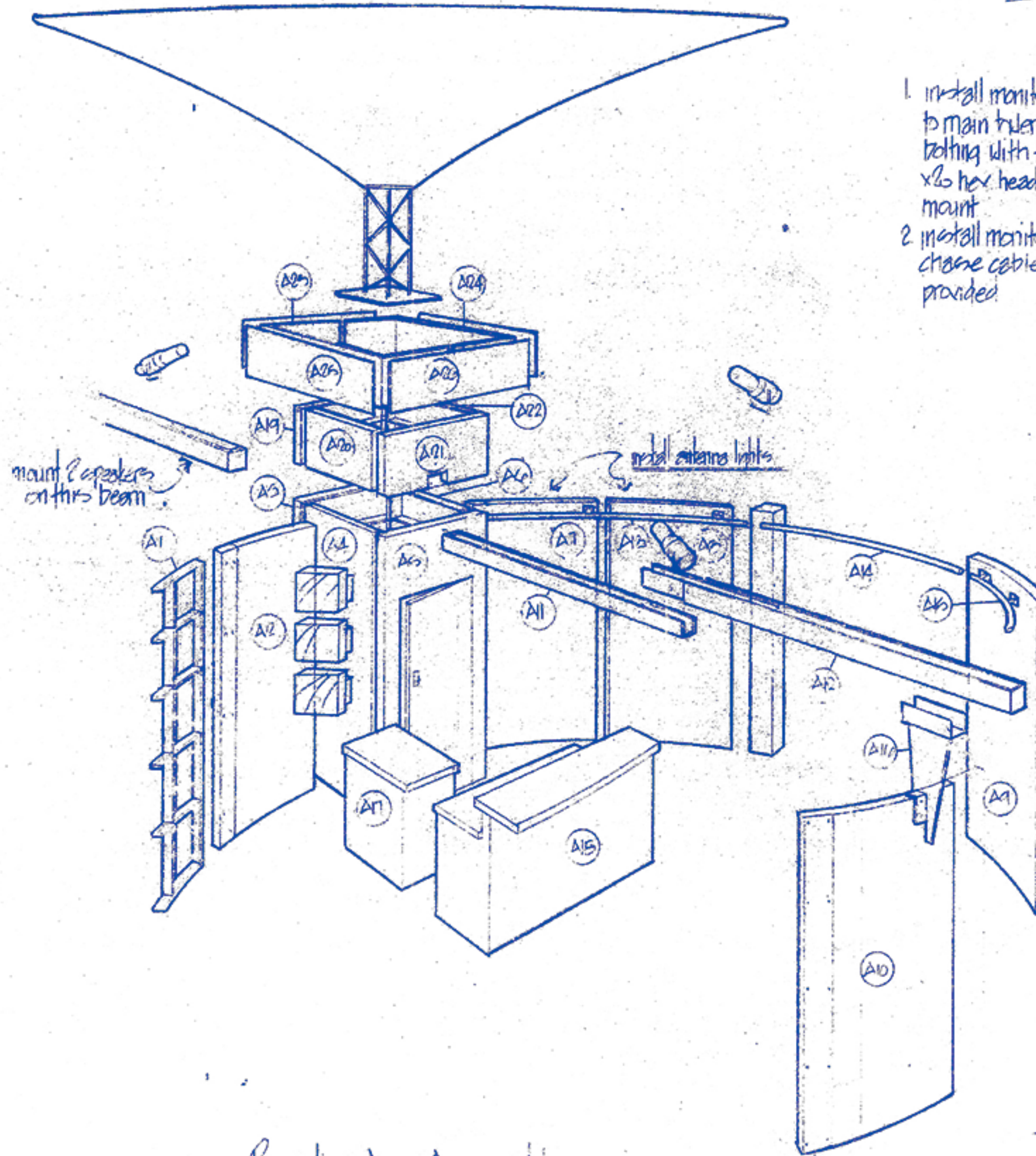


Assembly Instructions

1. bolt panels A4 and A6 to panel A3 using four 2" x 1/4" x 20 carriage bolts per side
2. install server shelf (not shown) to inside ribbing of tower
3. bolt panel A5 to panels A4 and A6 using four 2" x 1/4" x 20 carriage bolts per side
4. install upper tower panels A19 thru A22 to lower tower panels using two 2" x 1/4" x 20 carriage bolts per side and bolt to lower panels using two 2" x 1/4" x 20 per side

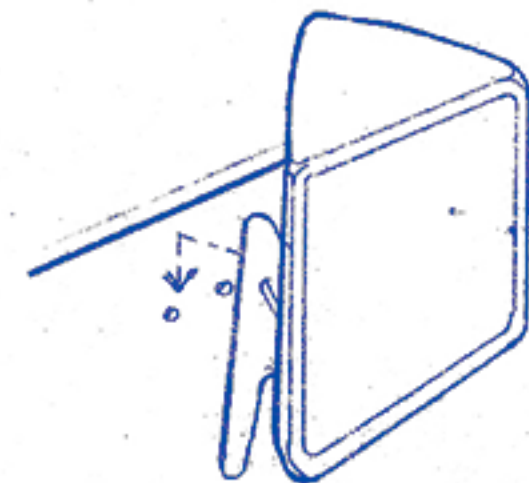
STOP

5. install in piece beam assembly and joining D wall panel at far end of booth before proceeding, this will insure proper placement for rest of booth
6. erect mass funnel on floor according to mass set up instructions
7. bolt header pieces A23 and A24 together using eight 2" x 1/4" x 20 carriage bolts
8. place header assembly on fork lift and raise to point where mass funnel will clear top of lift, about 8ft. make sure forks are not wider than main tower
9. install mass funnel to header assembly and secure with four 2" x 1/4" x 20 carriage bolts
10. using fork lift, lift upper assembly to top of main tower and secure with twelve 2" x 1/4" x 20 carriage bolts, chase cables from lights in header (not shown) to bottom of main tower
11. bolt beams A11 and A12 together using sixteen 2" x 1/4" x 20 hex bolts and fender washers. note: all beams assembled in this fashion
12. position panel A10 and attach beam bracket by sliding down over panel from directly above. secure with four 1/2" x 1/4" x 20 bolts
13. attach beam to main tower by socket fitting in and to beam pocket with four 2" x 1/4" x 20 hex bolts and fender washers
14. at this time make sure the path of the beam across the floor plan is at the proper angle
15. bolt panel A2 to main tower from inside using four 2" x 1/4" x 20 carriage bolts and reversed wing nuts.



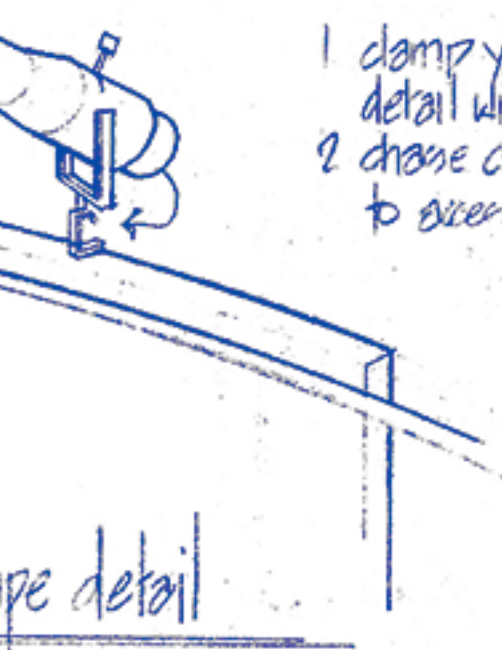
Reception Area Assembly

use wingnuts where f-nuts or inserts are not provided



speaker mounts

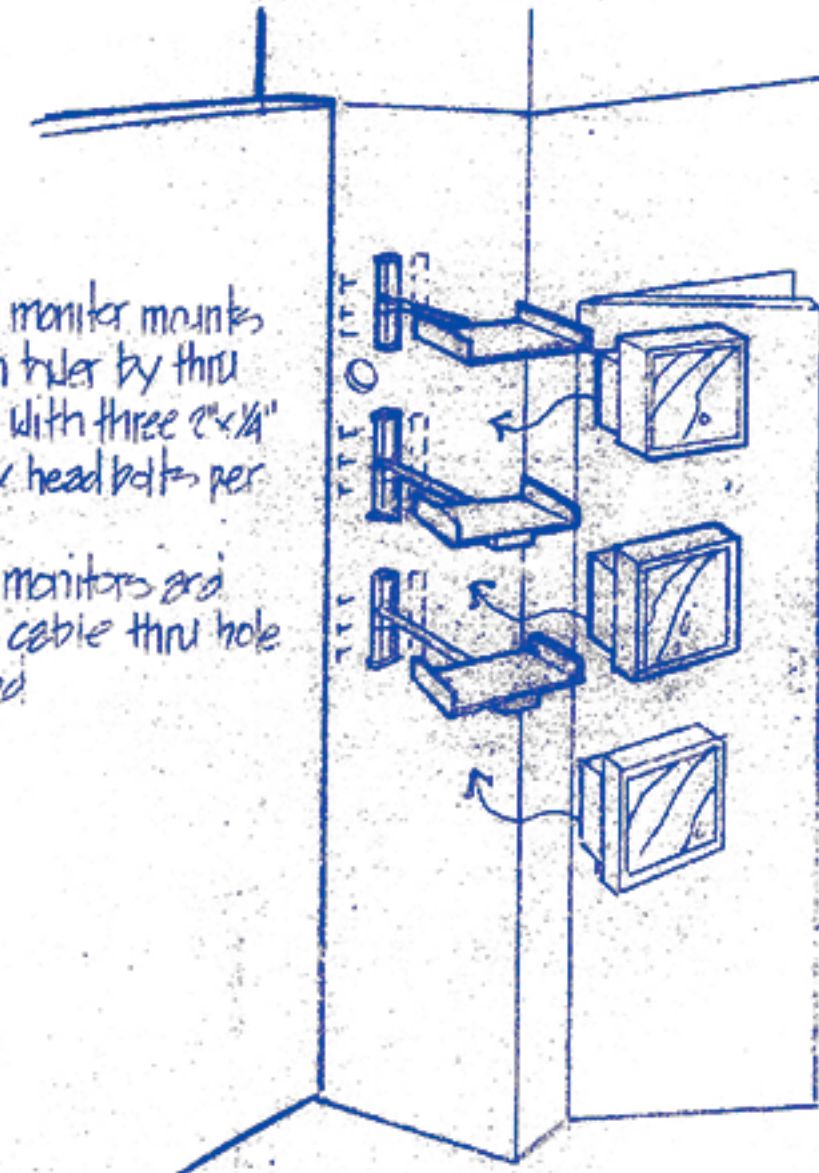
1. speakers mount by sliding over and locking on two pan head screws
2. look for screws to determine proper locations



clamp light to pipe detail

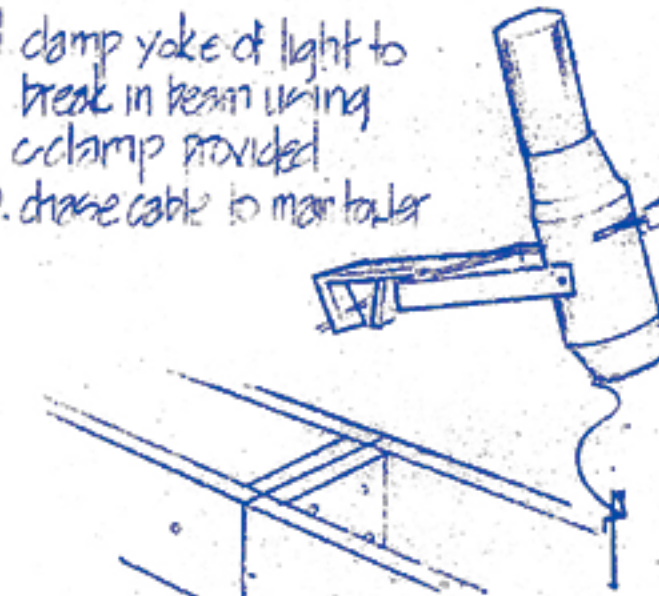
1. clamp yoke of light to pipe detail with clamp provided
2. chase cable along top of wall to excess in main tower

1. install monitor mounts to main tower by thru bolting with three 2" x 1/4" x 20 hex head bolts per mount
2. install monitors and chase cable thru hole provided



monitor mount assembly

1. clamp yoke of light to break in beam using clamp provided
2. chase cable to main tower



clamp light to beam

16. bolt panel A1 to panel A2 using six 1/2" x 1/4" x 20 marakoshi bolts
17. attach panel A1 to main tower using four 2" x 1/4" x 20 carriage bolts
18. attach panel A5 to panel A7 using four 2" x 1/4" x 20 carriage bolts
19. bolt column to panel A5 using four 1/2" x 1/4" x 20 hex bolts
20. bolt panel A4 to panel C1 (not shown) to make it free-standing. position as per floor plan
21. bolt pipe details A10 thru A14 to panels A7 thru A9 using four 1" x 1/4" x 20 hex bolts per connection
22. bolt cabinet A17 to cabinet A18 using four 2" x 1/4" x 20 carriage bolts. position as per floor plan
23. install monitor mounts to main tower as shown in monitor mount assembly
24. velcro infra graphic panels to panels A7 and A8
25. install antenna lights to panels A7 and A8 both sides
26. install extra lights as shown in details at left. three lights four on mass funnel
27. install speakers, 2 on long beam and three on 3 sides of main tower

HARDWARE SCHEDULE

QTY	SIZE	DESCRIPTION
75	2" X 1/4" X 20	CARRIAGE BOLTS
125	1/4"	WING NUTS
110	1-1/2" X 1/4" X 20	HEX BOLTS
9	2" X 1/4" X 20	HEX BOLTS
6	1-1/2" X 1/4" X 20	MARAKOSHI BOLTS
16	1" X 1/4" X 20	HEX BOLTS
50	1/4"	FENDER WASHERS

LAMPING SCHEDULE

QTY	WATTAGE	TYPE
4	75w	Inter. Base Caplites
4	50w	MR16
3	575W	HPL Halogens
3	50w	EXN Halogens

FINISH SCHEDULE

ITEM #	TYPE
42-25322	ZOLATONE
S-6-1T	NEVAMAR laminate
ES-2-2T	NEVAMAR laminate
D379-80	WILSONART Laminate
	CARPET
AVACADO	BIGELOW
INKWELL	BIGELOW