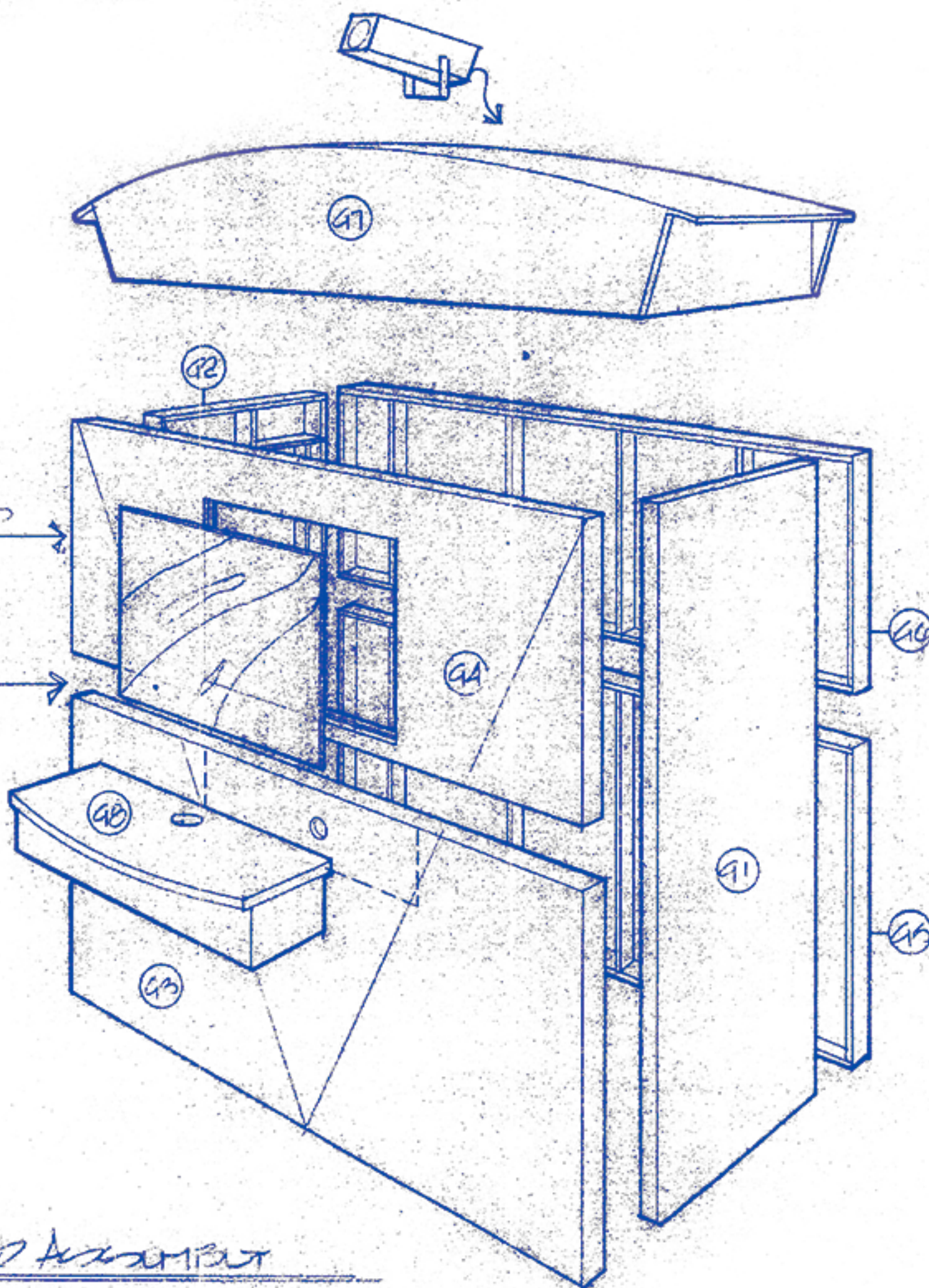


### GORD PROJECTOR

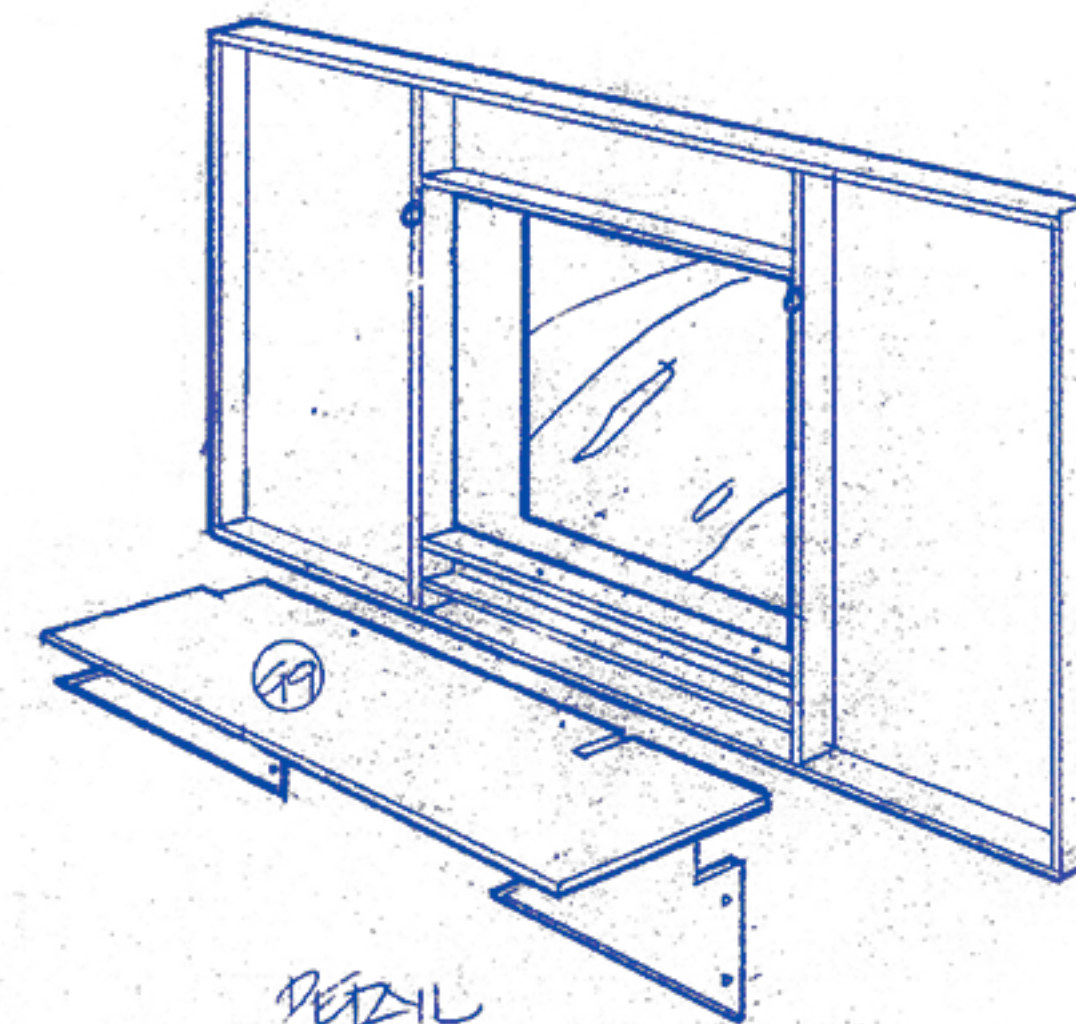
1. MOUNT PROJECTOR TO TOP OF HEADER WITH 2" x 1/4" x 20 CARBIDE SCREW WITH REVERSE WING NUT
2. RUN POWER THEN THREAD TO CORD WHICH RUNS UNDER CABINET TO CONTROLLER LOCATED IN POWER IS.
3. THERE ARE TWO MORE PROJECTORS ON CONFERENCE ROOM WALLS MOUNTABLE IN SAME MANNER

ROOF PANEL INSTALLS THIS SIDE

SEE DETAIL FOR ASSEMBLING MONITOR SHELF FROM INSIDE



EXPLODED ASSEMBLY  
THEATRE ENCLOSURE UNIT 3



DETAIL  
ASSEMBLING MON. SHELF

HARDWARE SCHEDULE	
QTY.	TYPE
24	2" x 1/4" x 20 CARBIDE SCREWS
24	1" x 1/4" x 20 CARBIDE SCREWS
40	1/4" x 20 WING NUTS
LAMP SCHEDULE	
3	350W INTERMEDIATE OPEN BASE HALOGEN LAMPS (GORD LIGHTS)

### ASSEMBLY INSTRUCTIONS

1. BOLT PANELS 40 AND 44 E/C'S AND 41 C/C TOGETHER WITH THREE 2" x 1/4" x 20 CARBIDE SCREWS AND WING NUTS
2. INSERT PANELS 41 AND 42 AND BOLT WITH FOUR 2" x 1/4" x 20 CARBIDE SCREWS AND WING NUTS PER SIDE.
3. LOCATE UNIT AS PER FLOOR PLAN
4. SOCKET HEADER 47 TO TOP OF UNIT AND SECURE WITH ONE 2" x 1/4" x 20 CARBIDE SCREWS AND WING NUTS
5. INSTALL SHELF 48 WITH FOUR 2" x 1/4" x 20 CARBIDE SCREWS WITH REVERSE WING NUTS
6. INSTALL INTERIOR MONITOR SHELF WITH 24 2" x 1/4" x 20 CARBIDE SCREWS AND WING NUTS, SUPPORT WITH WEDGE SUPPORTS PROVIDED
7. STACK GORD PROJECTOR
8. INSTALL PLEX SHIELD WITH VELCRO