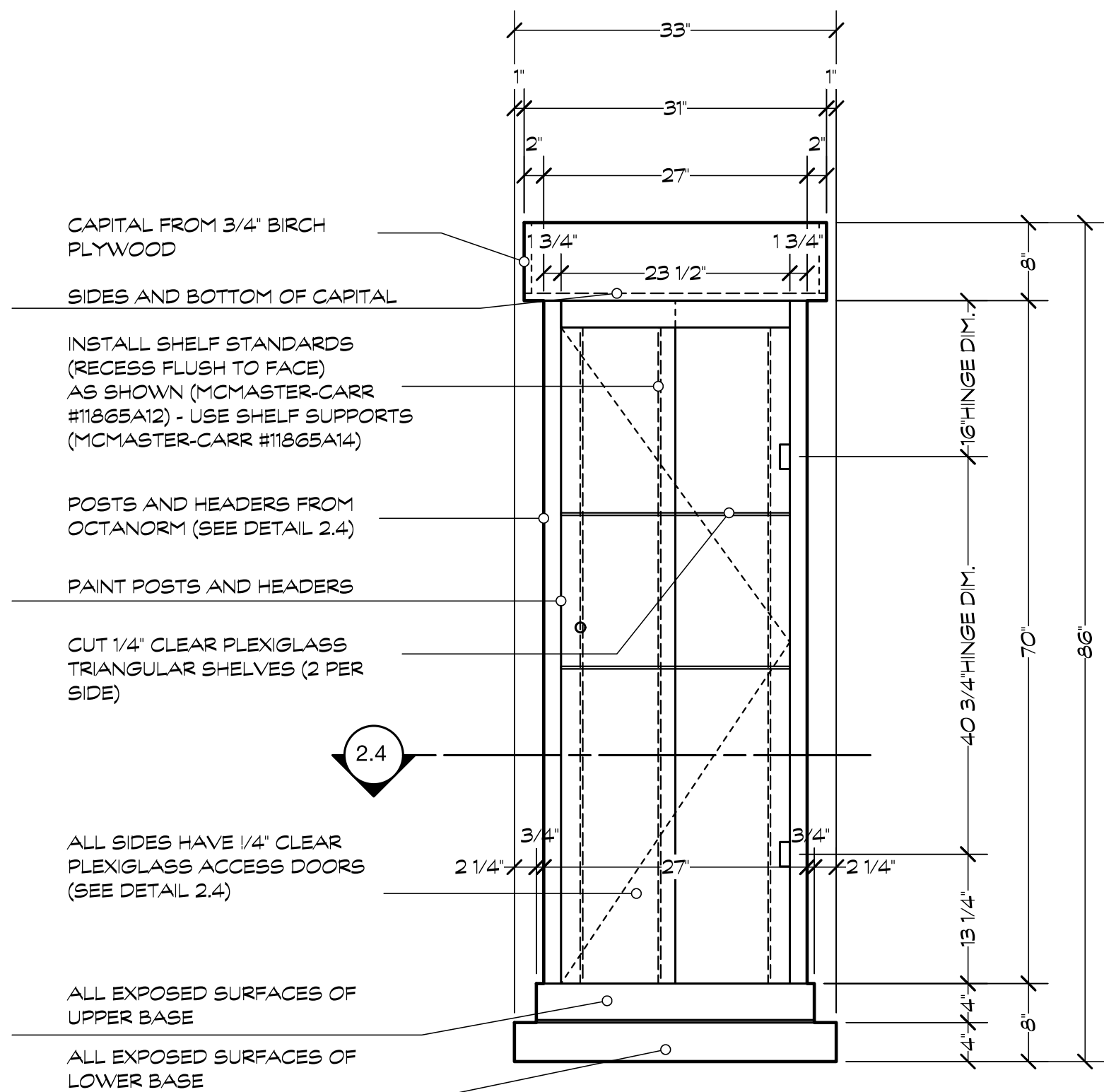


**2.1**  
RUI **TOP**  
SCALE: 3/4" = 1'-0"



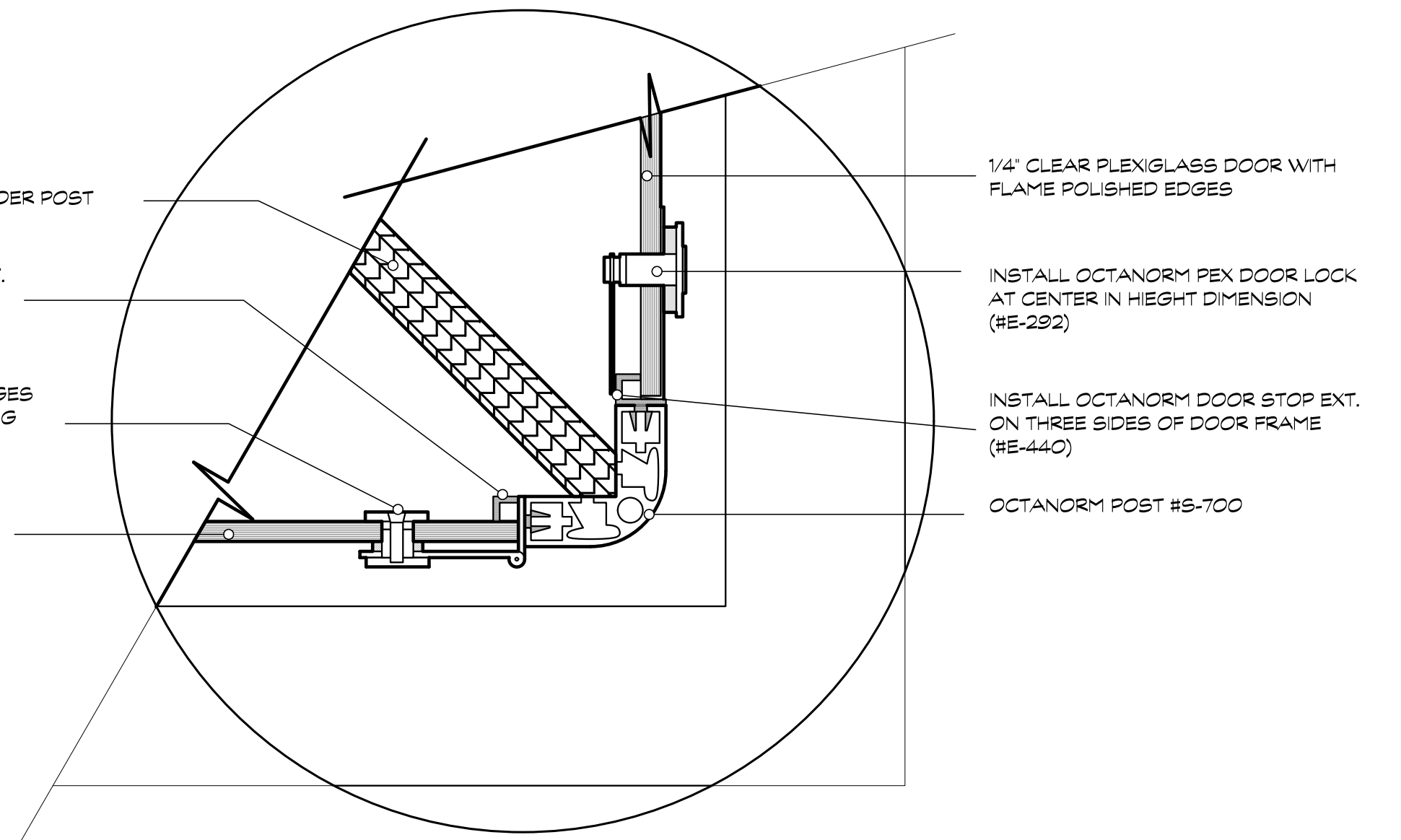
**2.2**  
RUI **FRONT**  
SCALE: 3/4" = 1'-0"

PLYWOOD DIVIDER WALL BUTTS TO INSIDE CORNER OF OCTANORM DIVIDER POST

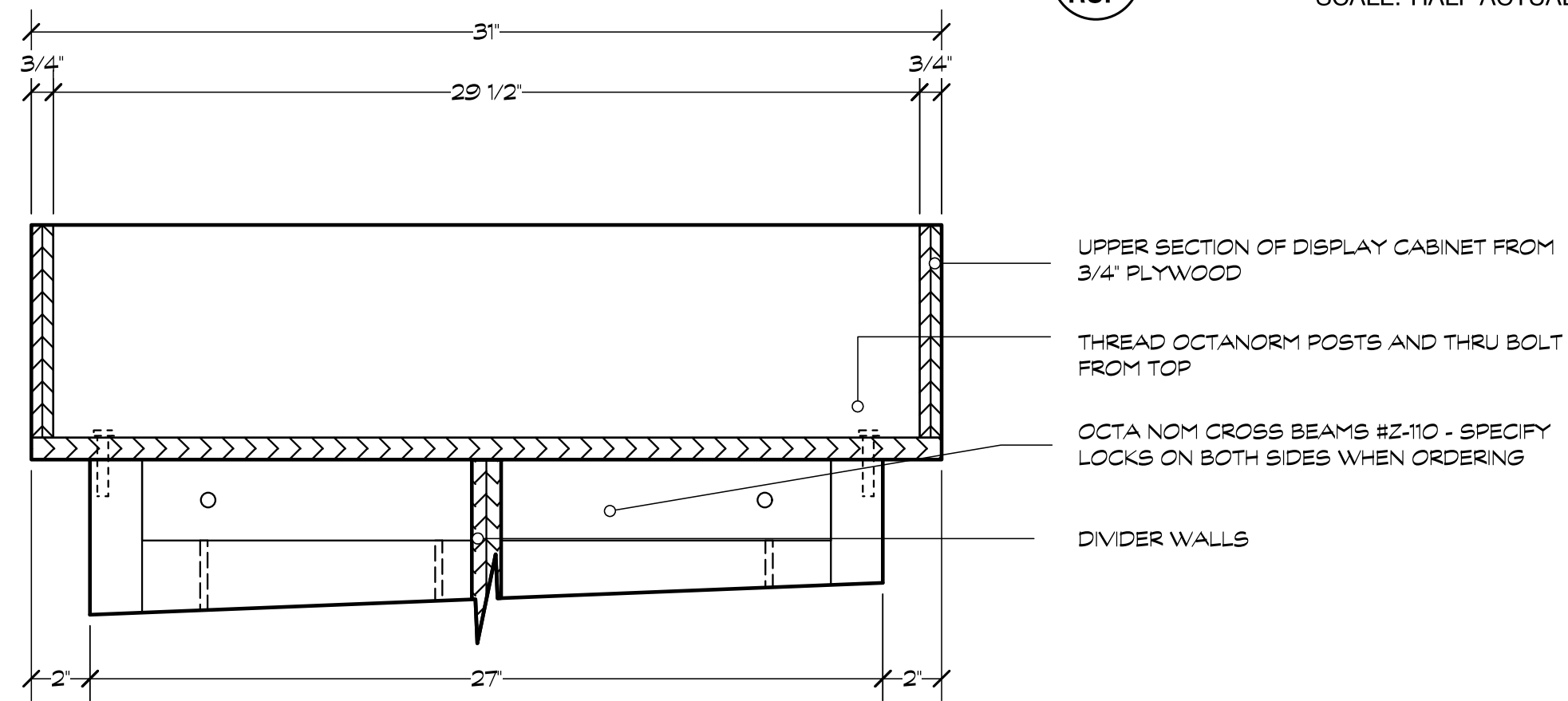
INSTALL OCTANORM DOOR STOP EXT. ON THREE SIDES OF DOOR FRAME (#E-440)

INSTALL OCTANORM PLEX DOOR HINGES AT HEIGHT SHOWN IN FRONT DRAWING (#E-292)

1/4" CLEAR PLEXIGLASS DOOR WITH FLAME POLISHED EDGES



**2.4**  
RUI **DETAIL**  
SCALE: HALF ACTUAL



**2.5**  
RUI **SECTION**  
SCALE: 2" = 1'-0"

THREAD OCTANORM POSTS AND THRU BOLT FROM BOTTOM

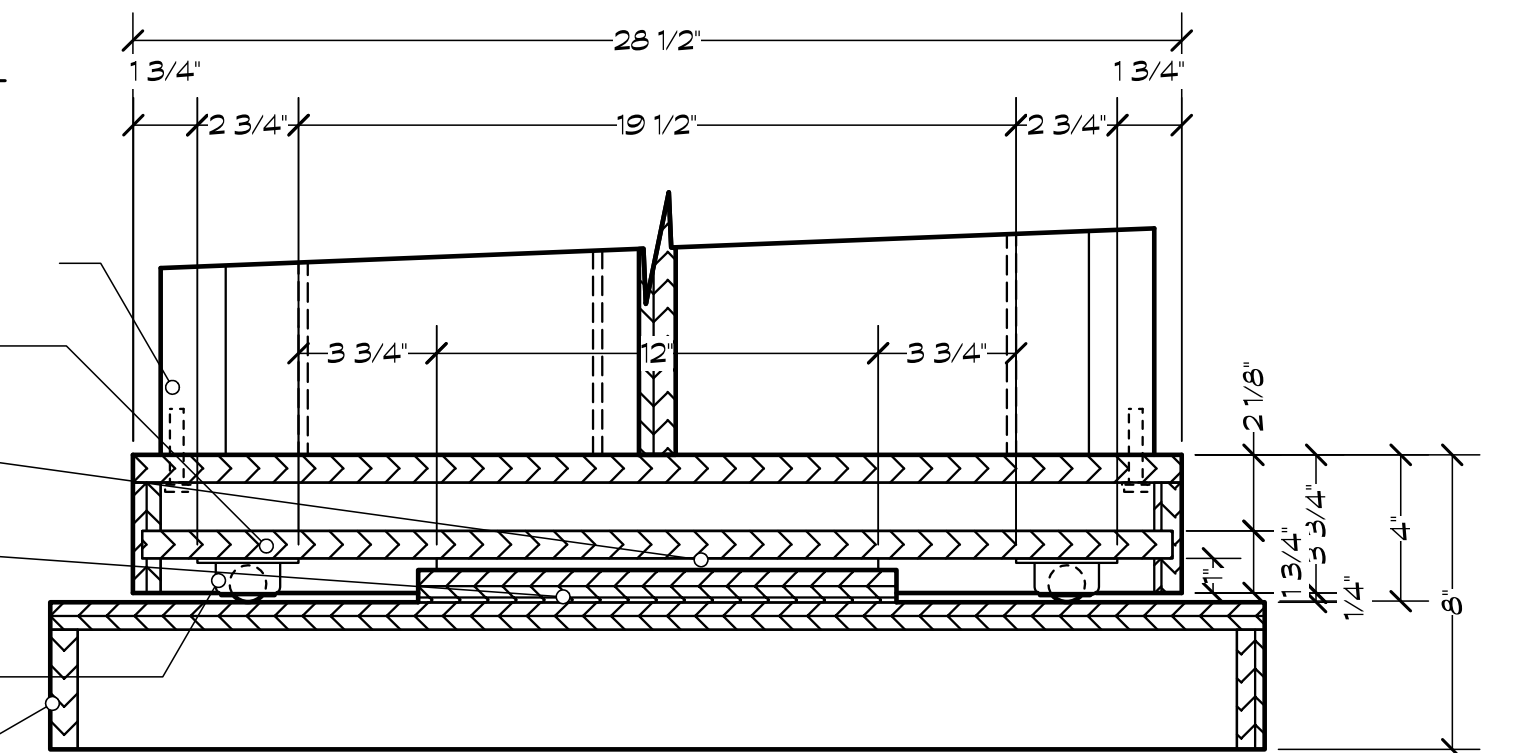
INSTALL CAPTURED PLYWOOD CASTOR SUPPORT SHELF AT PROPER HEIGHT

INSTALL TURNTABLE AT CENTER OF CABINET BASE (MCMMASTER-CARR #6031K19)

PROVIDE PLYWOOD BLOCKING FOR TURNTABLE

INSTALL FOUR BALL CASTORS AS SHOWN IN TOP DRAWING (MCMMASTER-CARR #2415T12)

LOWER SECTION OF CABINET BASE FROM 3/4" BIRCH PLYWOOD



**2.3**  
RUI **SECTION**  
SCALE: 2" = 1'-0"