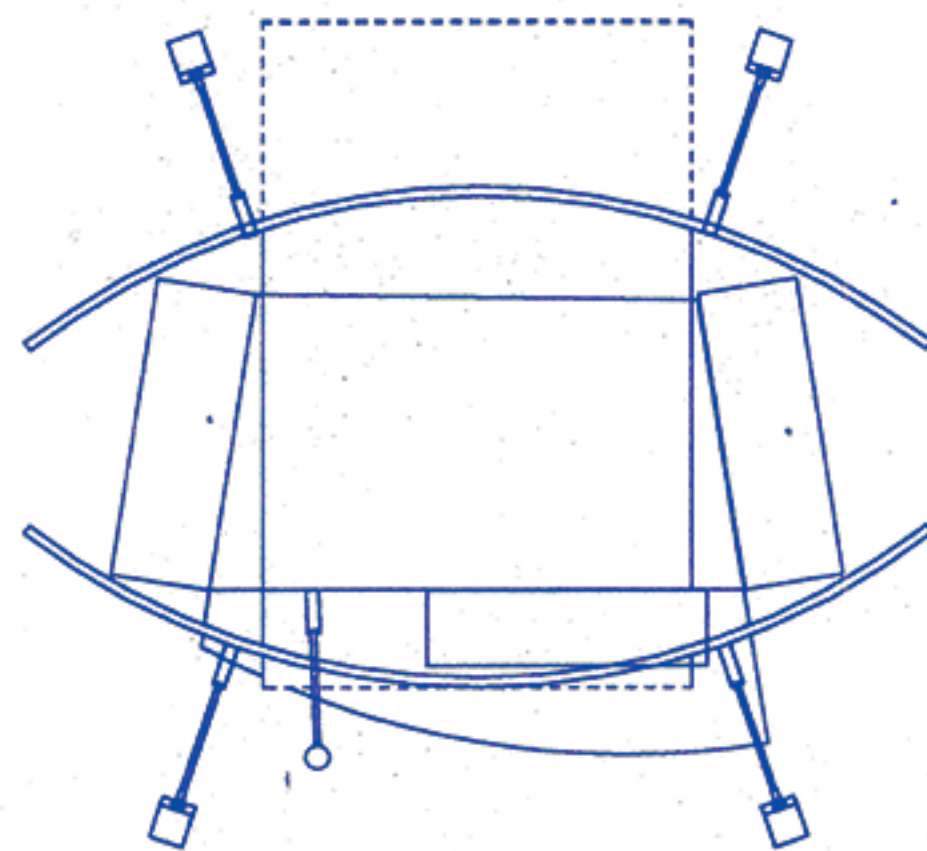


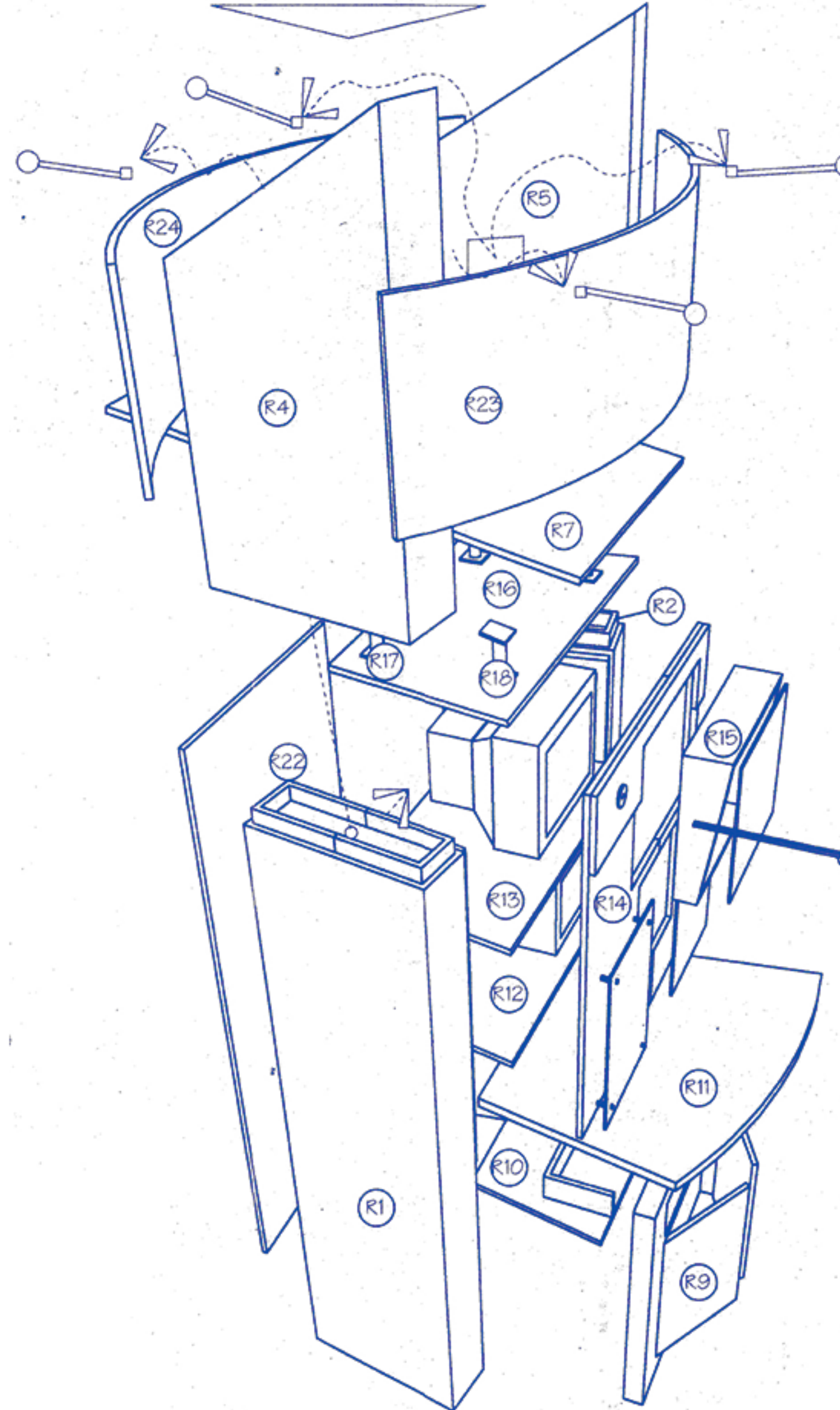
ASSEMBLY INSTRUCTIONS

1. LOCATE AND POSITION PANELS R1 AND R2
2. SECURE LITERATURE SHELF TO CLEATS PROVIDED WITH FOUR 3" CARRAIGE BOLTS AND WING NUTS
3. SECURE BOX FRAME PANEL R9 TO CLEATS PROVIDED WITH SIX 1 3/4" CARRAIGE BOLTS AND REVERSED WING NUTS
4. SECURE COUNTER TOP R11 TO CLEATS PROVIDED WITH FOUR 3" CARRAIGE BOLTS AND WING NUTS
5. SECURE SHELF R12 TO CLEATS PROVIDED WITH FOUR 3" CARRAIGE BOLTS AND WING NUTS
6. SECURE SHELF R13 TO CLEATS PROVIDED WITH FOUR 3" CARRAIGE BOLTS AND WING NUTS
7. SECURE TOP R16 TO CLEATS PROVIDED WITH FOUR 3" CARRAIGE BOLTS AND WING NUTS
8. SECURE FRONT PANEL R14 TO CLEATS PROVIDED WITH SIX 1 1/2" MARAKOSHI BOLTS (USING THREADED INSERTS IN CLEATS)
9. SECURE BEZEL R15 TO FRONT PANEL FROM BEHIND WITH FOUR 1 1/2" PEN HEAD BOLTS AND REVERSED WING NUTS
10. SECURE GRAPHIC TO FRONT PANEL WITH FOUR STAND OFFS AND ACORN BOLTS PROVIDED
11. LOAD MONITORS FROM REAR SIDE AND CHASE ALL CABLES TO BOTTOM
12. INSTALL STAND OFFS R17 AND R18 TO TOP LABELED R16 WITH TWO 1 1/2" PAN HEAD BOLTS AND WING NUTS EACH- INSTALL OTHER STAND OFFS WITH TWO 1 1/2" PAN HEAD BOLTS AND WING NUTS EACH
13. INSTALL CANOPY R7 TO STAND OFFS WITH FOUR 1/2" PAN HEAD BOLTS AND TWO FEMALE MARAKOSHI BOLTS PER STAND OFF
14. INSTALL WEDGE PANELS TO TOPS OF LOWER PANELS WITH A SIMPLE SOCKET FIT
15. INSTALL 16 3/4" PLEX SHIELD TO FACE OF DEMO STATION
16. INSTALL HALOGEN ANTENA TO SOCKET ON FACE OF DEMO STATION
17. INSTALL HEADERS R23 AND R24 TO WEDGE PANELS WITH FLUSH MOUNT CLEATS PROVIDED
18. INSTALL CLAMP ON ARM LIGHTS TO TOPS OF HEADERS AND CHASE POWER THRU TOP OF DEMO STATION TO BOTTOM
19. DO NOT INSTALL BACK R22 UNTIL ENTIRE BOOTH IS SET AND WIRED- WHEN READY SECURE WITH SIX 1 1/2" MARAKOSHI BOLTS
20. REPEAT STEPS 1 THRU 19 FOR LEFT SIDE DEMO STATION



PLAN

NOTE:
CHASE 12v LEADS OUT OF WEDGE COLUMNS TO ARM LIGHTS ON HEADERS - CHASE POWER FROM INSIDE WEDGE COLUMNS THRU LOWER WALL PANELS TO INSIDE OF KIOSK



EXPLODED ASSEMBLY

RIGHT SIDE DEMO STATION

HARDWARE SCHEDULE	
QTY.	DESCRIPTION
36	3"X1/4"/20 CARRAIGE BOLTS
16	1 3/4"X1/4"/20 CARRAIGE BOLTS
24	1 1/2"X1/4"/20 PAN HEAD BOLTS
4	2 1/4"X1/4"/20 PAN HEAD BOLTS
32	1/2"X1/4"/20 PAN HEAD BOLTS
8	1/4"/20 FEMALE MARAKOSHI NUTS
80	1/4"/20 WING NUTS
8	3/4"X1/4"/20 PAN HEAD BOLTS
12	1 1/2"X1/4"/20 FLAT HEAD BOLTS
40	1 1/2"X1/4"/20 MARAKOSHI BOLTS
LAMP SCHEDULE	
QTY.	DESCRIPTION
10	50w MR16 HALOGENS
FINISHES	
ZOLATONE #43-25316ss	
SEMI-GLOSS LAQUER TO MATCH PMS #285	
LAMINART #2407-T	
BLACK SEMI-GLOSS LAQUER	
SEMI-GLOSS LAQUER TO MATCH LAMINART #2407-T	