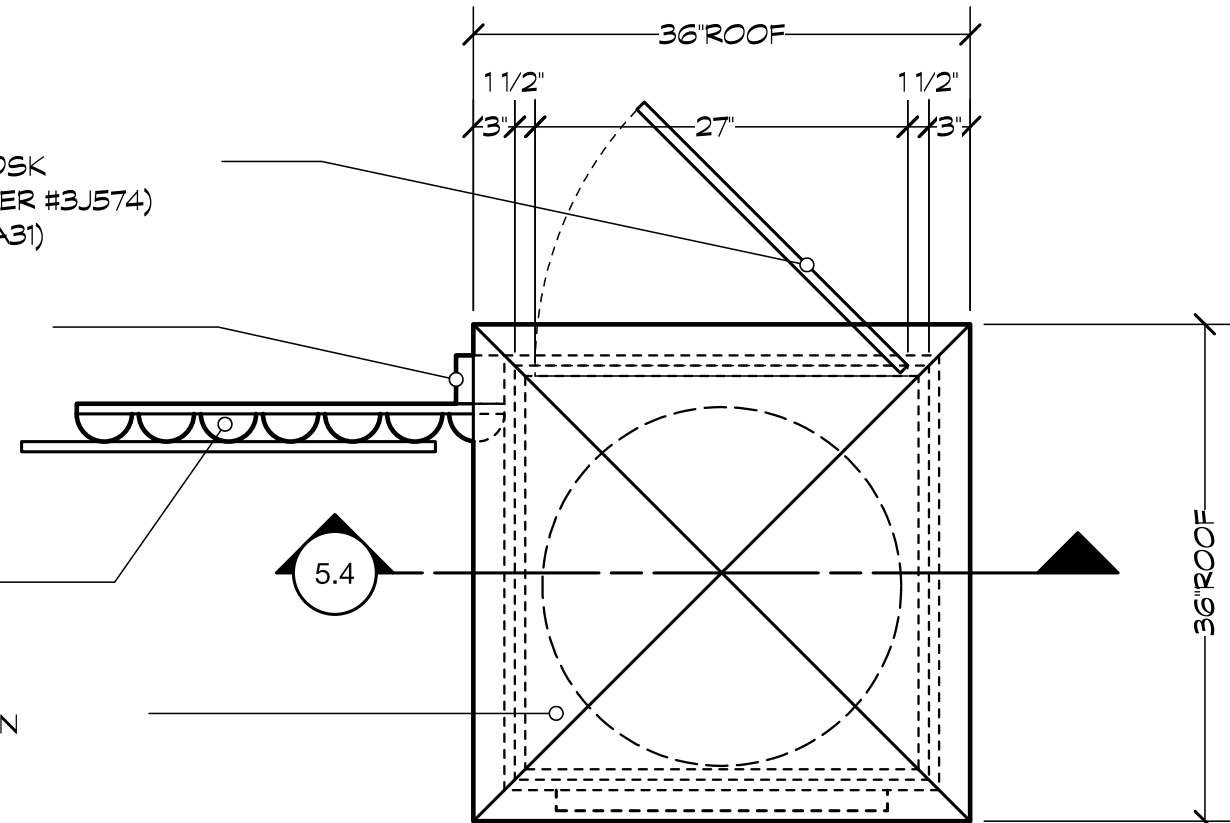


INSTALL 27" X 36" INSET PLYWOOD ACCESS DOOR IN BACKSIDE OF KIOSK
- USE CONTINUOUS HINGE (GRAINGER #3J574) AND LOCK (MCMMASTER-CARR #1770A31)

USE 4" X 4" CEDER FENCE POST TO BOLT FENCE TO SIDE OF KIOSK

FENCE ELEMENT FROM 4" PEELED PINE LOGS (HALF ROUND)

ROOFING MATERIAL AND FINISH TO BE DETERMINED AFTER EXAMINATION OF ACTUAL FORT



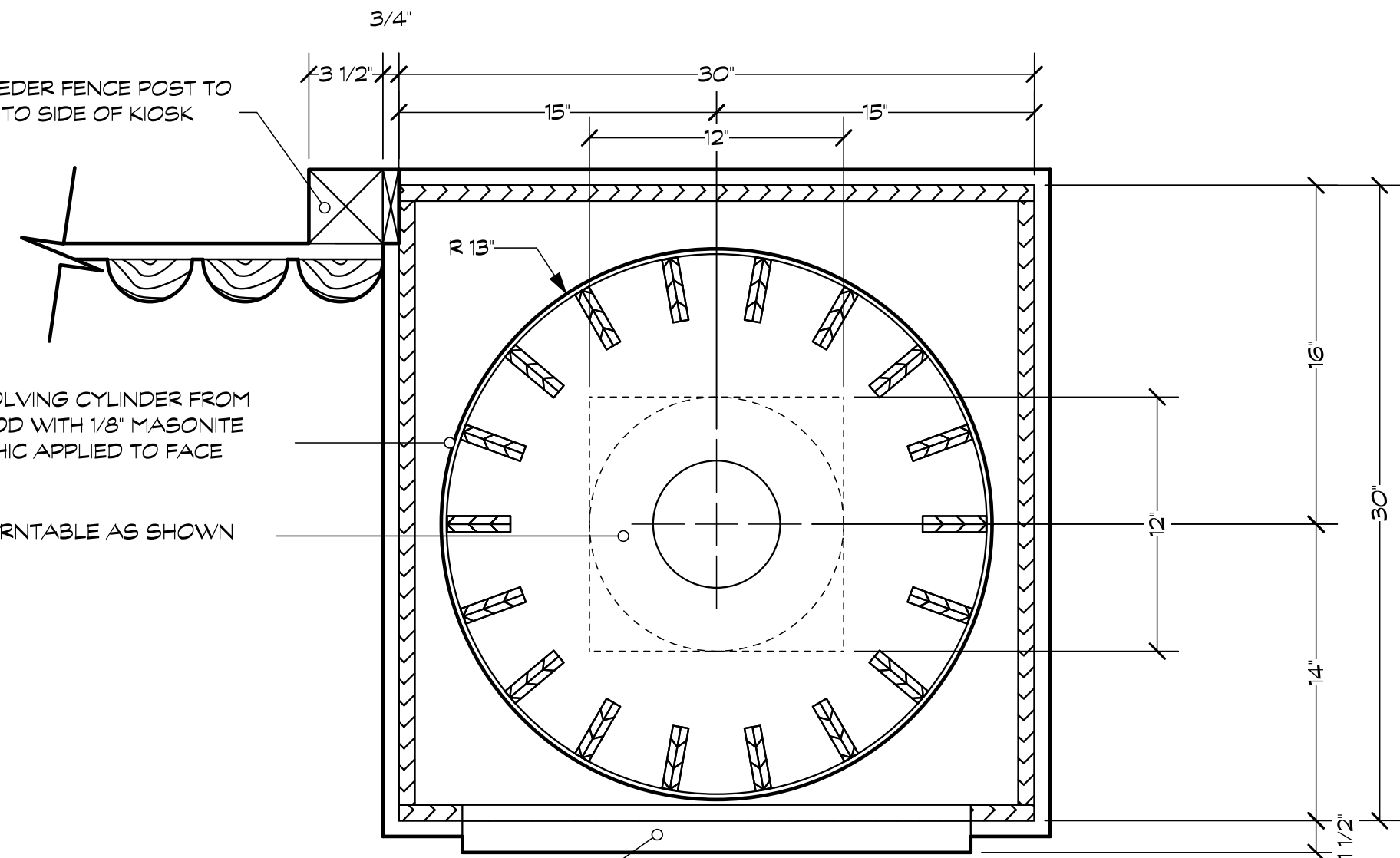
5.1
FOR **TOP**
SCALE: 3/4" = 1'-0"

USE 4" X 4" CEDER FENCE POST TO BOLT FENCE TO SIDE OF KIOSK

FRAME REVOLVING CYLINDER FROM 3/4" PLYWOOD WITH 1/8" MASONITE SKIN - GRAPHIC APPLIED TO FACE

POSITION TURNTABLE AS SHOWN

SILL AND HEADER FROM 3/4" PLYWOOD WITH 3/4" PLYWOOD BUILD-UP



5.3
FOR **SECTION**
SCALE: 1 1/2" = 1'-0"

APPLY 3/4" PLYWOOD HEADERS TO CABINET TO CREATE REVEAL

UPPER SECTION OF KIOSK

SILL AND HEADER

FRAME BACKSIDE OF FENCE FROM 1" X 4" PINE AS SHOWN

3/4" M.D.F. PANEL WITH APPLIED GRAPHIC SCREWED TO FACE OF FENCE

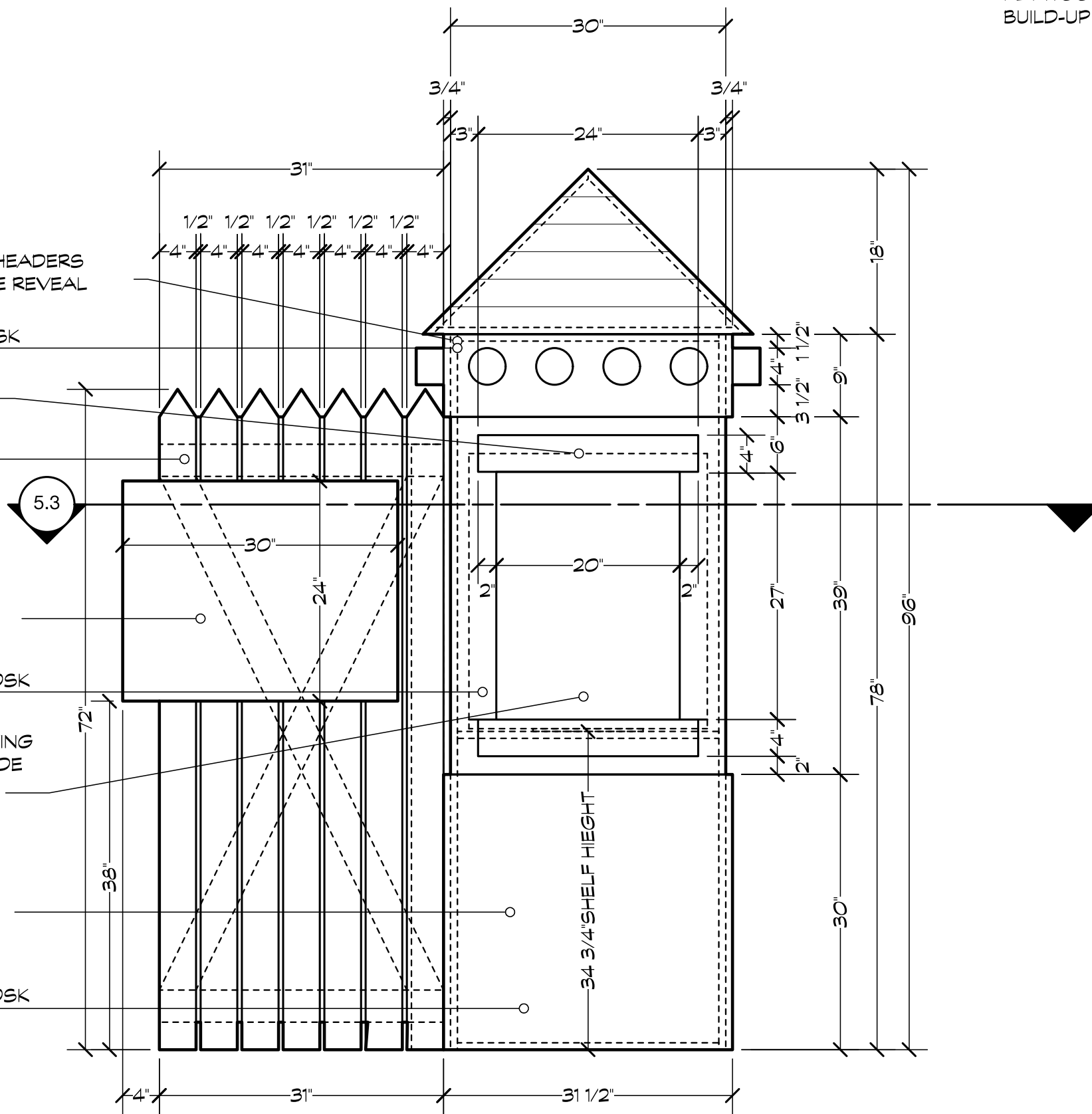
MIDDLE SECTION OF KIOSK

WINDOW WITH REVOLVING CYLINDER ON FRONT SIDE OF KIOSK ONLY

FINISH FENCE

APPLY 3/4" PLYWOOD HEADERS TO CABINET TO CREATE REVEAL

LOWER SECTION OF KIOSK



5.2
FOR **FRONT**
SCALE: 3/4" = 1'-0"

FRAME ROOF FROM 3/4" PLYWOOD AND APPLY ROOF FINISH

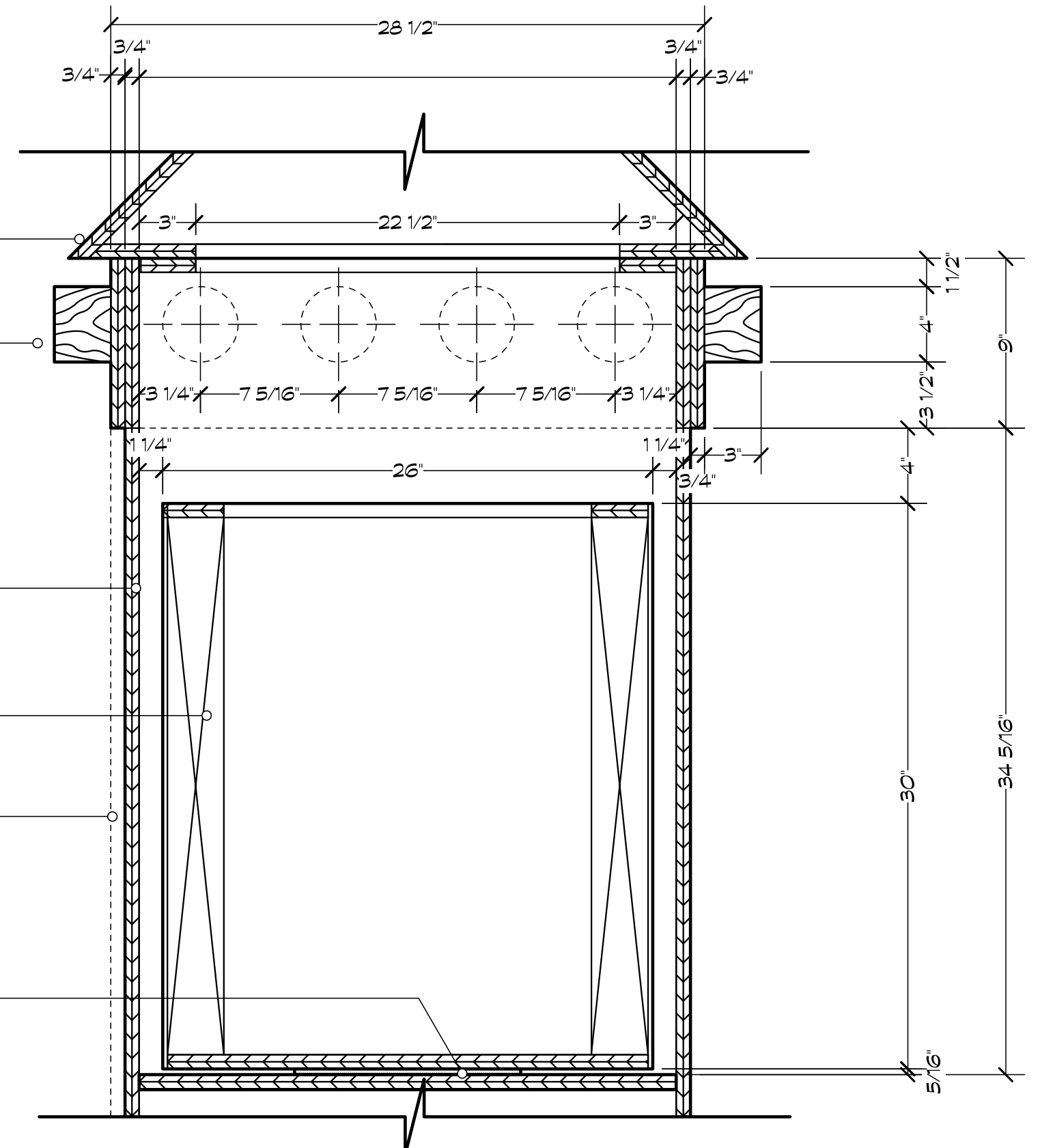
3" CUT SECTIONS OF 4" PEELED PINE LOGS APPLIED TO FACE OF SOFFIT AS SHOWN - ALL SIDES

SIDES OF KIOSK FROM 3/4" BIRCH PLYWOOD

FRAME REVOLVING CYLINDER FROM 3/4" PLYWOOD WITH 1/8" MASONITE SKIN - GRAPHIC APPLIED TO FACE

1" X 4" PINE FURRING STRIP FOR ATTACHING FENCE ELEMENT

MOUNT CYLINDER TO 3/4" PLYWOOD SHELF USING TURNTABLE (MCMMASTER-CARR #6031K19)



5.4
FOR **SECTION**
SCALE: 1 1/2" = 1'-0"