

PLAN
1"=1'0"

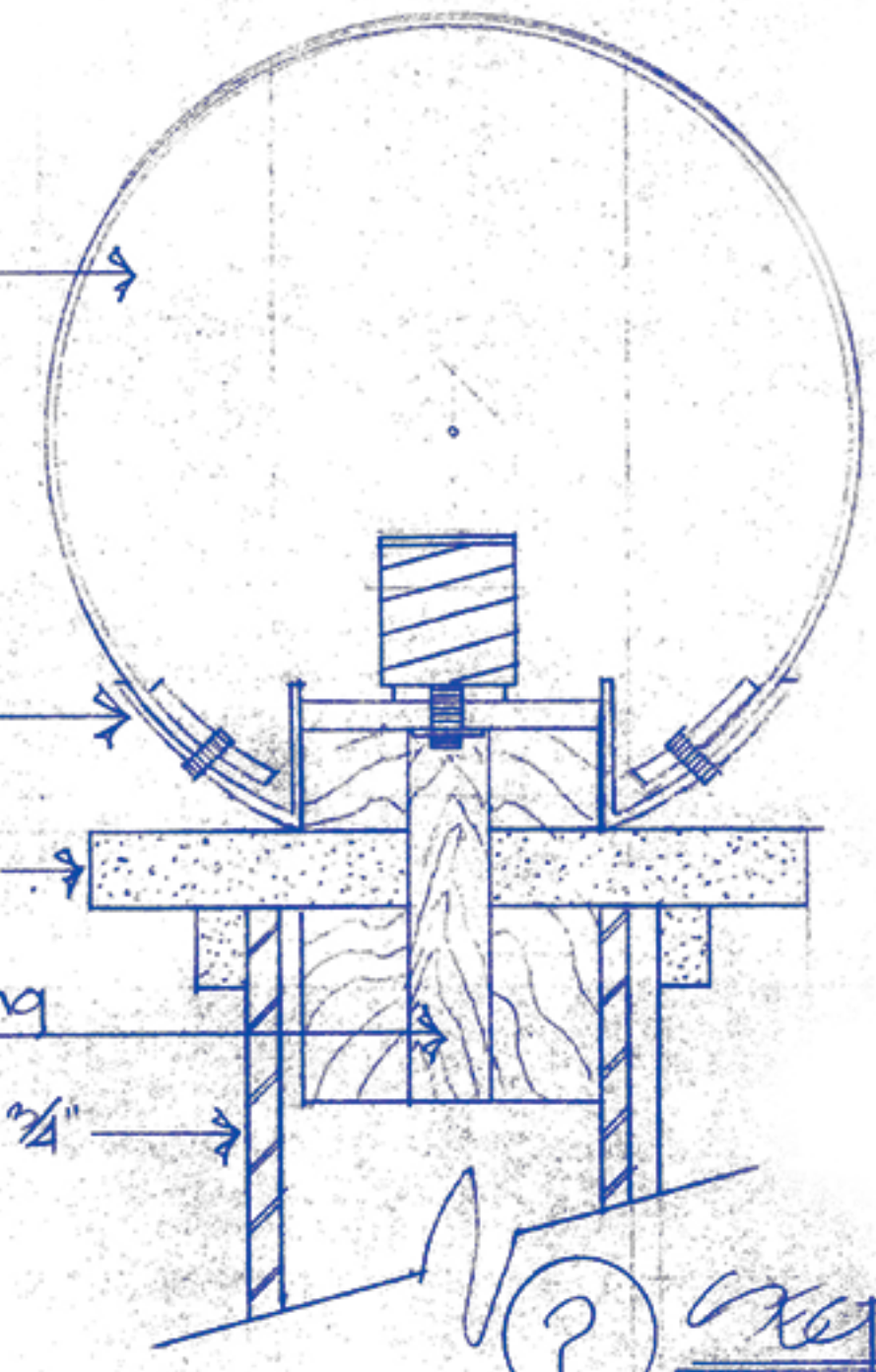
8" plastic globe →

8" globe base, all electrical parts are not used →

3/4" m.d.f. cap plate →

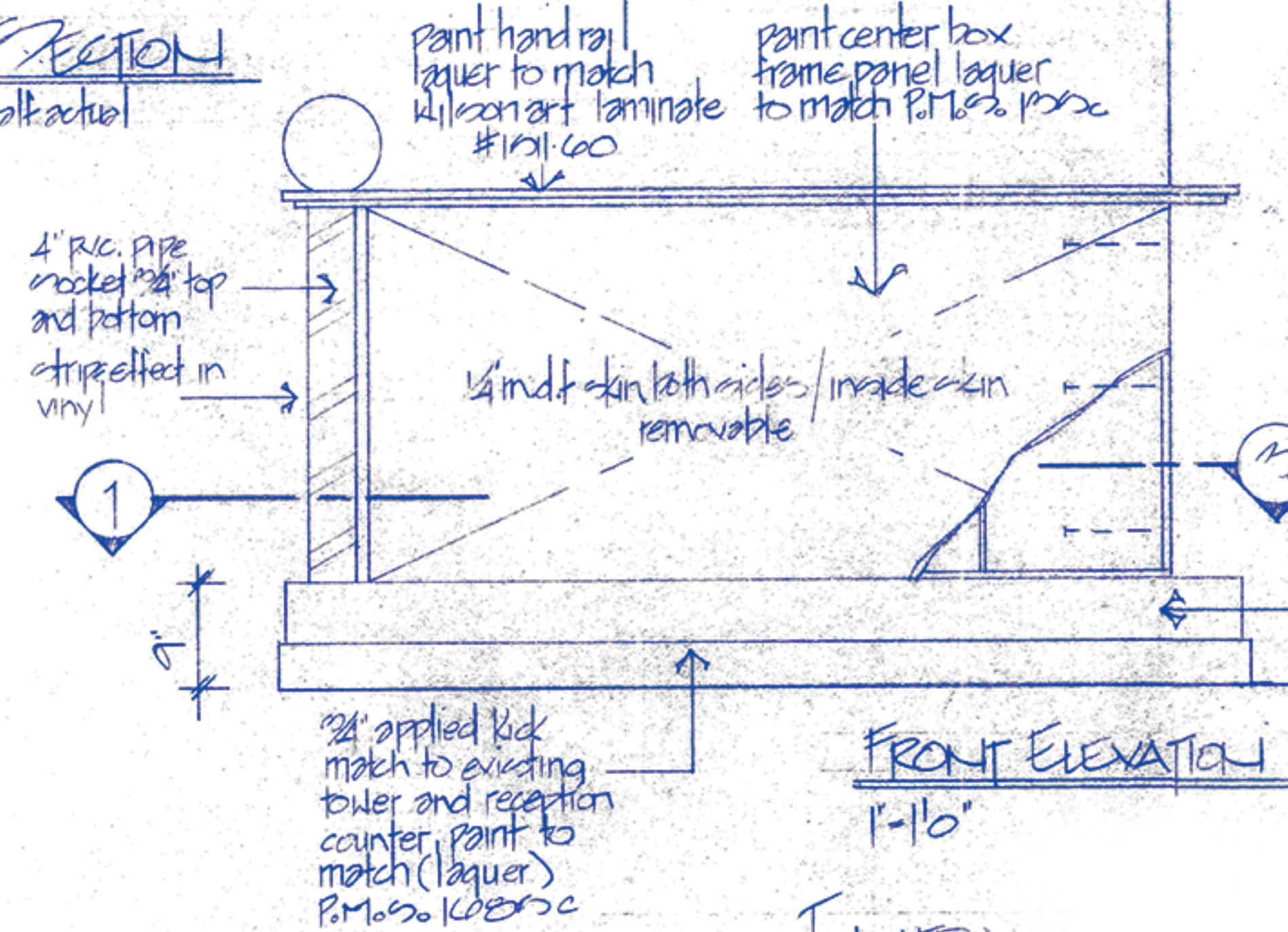
T shaped modeling post →

4" p.v.c pipe/socket 3/4" →



SECTION
half actual

1 SECTION
half actual



FRONT ELEVATION
1"=1'0"

ENTRANCE
? EA.

return from back wall
pony wall sockets
over and bolts
to return

paint hand rail
laquer to match
Kilcon art laminate
#1911-60

paint center box
frame panel laquer
to match P.M. 163 1571C

4" p.v.c. pipe
socket 3/4" top
and bottom
strip effect in
vinyl

1/4" m.d.f. skin both sides / inside skin
removable

3/4" applied kick
match to existing
tower and reception
counter paint to
match (laquer)
P.M. 163 1571C

applied kick →

existing
return wall →

bolt together
with carriage
bolt and
wing nut

m.d.f. framing
smaller so
that skins
on both wall
are flush to
each other

velcro for
removable
skin

3/4"
1 1/2"
4 1/2"
4"
1/2"

paint this area
laquer to match
P.M. 163 1571C

3 SECTION
half actual