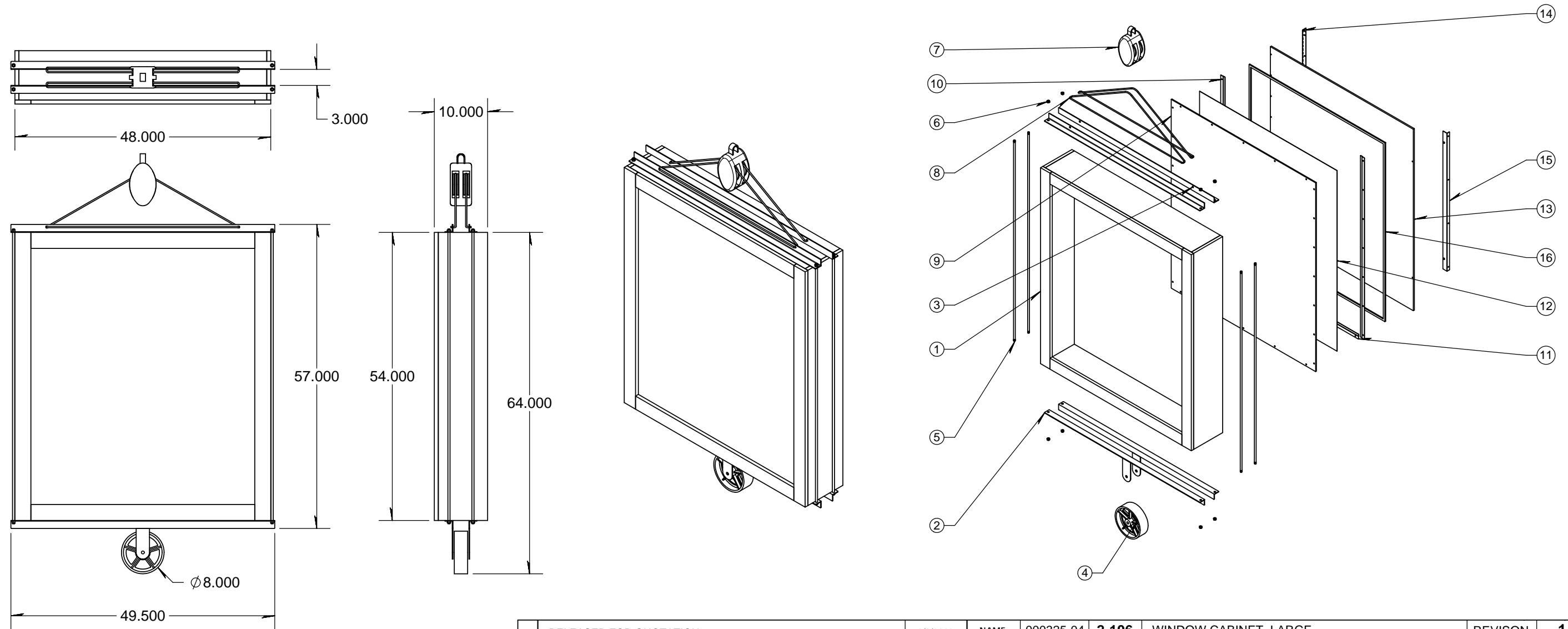



ITEM NO.	Project	NUMBER	PART NAME	MATERIAL	FINISH	COLOR	DESCRIPTION	QTY	REV
1	000325-04	4-106	WINDOW CABINET_LARGE	AS NOTED	PAINTED	WHITE MATCH SAMPLE		1	1.0
2	000325-04	3-107	ANGLE_BASE_LARGE	ANGLE AS NOTED/11 GA STEEL	MATCH SAMPLE	MATCH SAMPLE	----	2	1.0
3	000325-04	3-207	ANGLE_TOP_LARGE	ANGLE AS NOTED	MATCH SAMPLE	MATCH SAMPLE	----	2	1.0
4	000325-04	8-804	VINTAGE WHEEL	CAST IRON	MATCH SAMPLE	MATCH SAMPLE	----	1	1.0
5	000325-04	3-109	TENSION ROD	3/8 STEEL ROD	MATCH SAMPLE	MATCH SAMPLE	----	4	1.0
6	000325-04	HDW	3/8-16 HEX NUT	STEEL	ZINC		McMASTER #90473A031	8	1.0
7	000325-04	8-805	VINTAGE PULLY	AS NOTED	MATCH SAMPLE	MATCH SAMPLE	----	1	1.0
8	000325-04	8-806	CABLE	3/16 DIA AIRCRAFT CABLE	MATCH SAMPLE	MATCH SAMPLE	----	2	1.0
9	000325-04	5-110	GRAPHIC COVER_LARGE	1/4 NON GLARE ACRYLIC	ROUTE AS NOTED	CLEAR	----	1	1.0
10	000325-04	3-114	GRAPHIC TRAP_SIDE	18 GA CRS	POWDERCOAT	WHITE		2	1.0
11	000325-04	3-214	GRAPHIC TRAP_BOTTOM_LARGE	18 GA CRS	POWDERCOAT	WHITE		1	1.0
12	000325-04	7-111	GRAPHIC_LARGE	DURA TRANS	4C/1S	TRANS WHITE	----	1	1.0
13	000325-04	8-808	FAWOO PANEL_LARGE	FAWOO LED PANEL	AS PER NOTES	AS PER NOTES	----	1	1.0
14	000325-04	8-807	CONTINUOUS HINGE	STEEL AS NOTED	STAINLESS STEEL	AS PER PART		1	1.0
15	000325-04	3-112	GRAPHIC STOP ANGLE	18 GA CRS	POWDERCOAT	WHITE	----	1	1.0
16	000325-04	8-810	GASKET	1/4 OPEN CELL GASKET	AS PER PART	AS PER PART	----	1	1.0



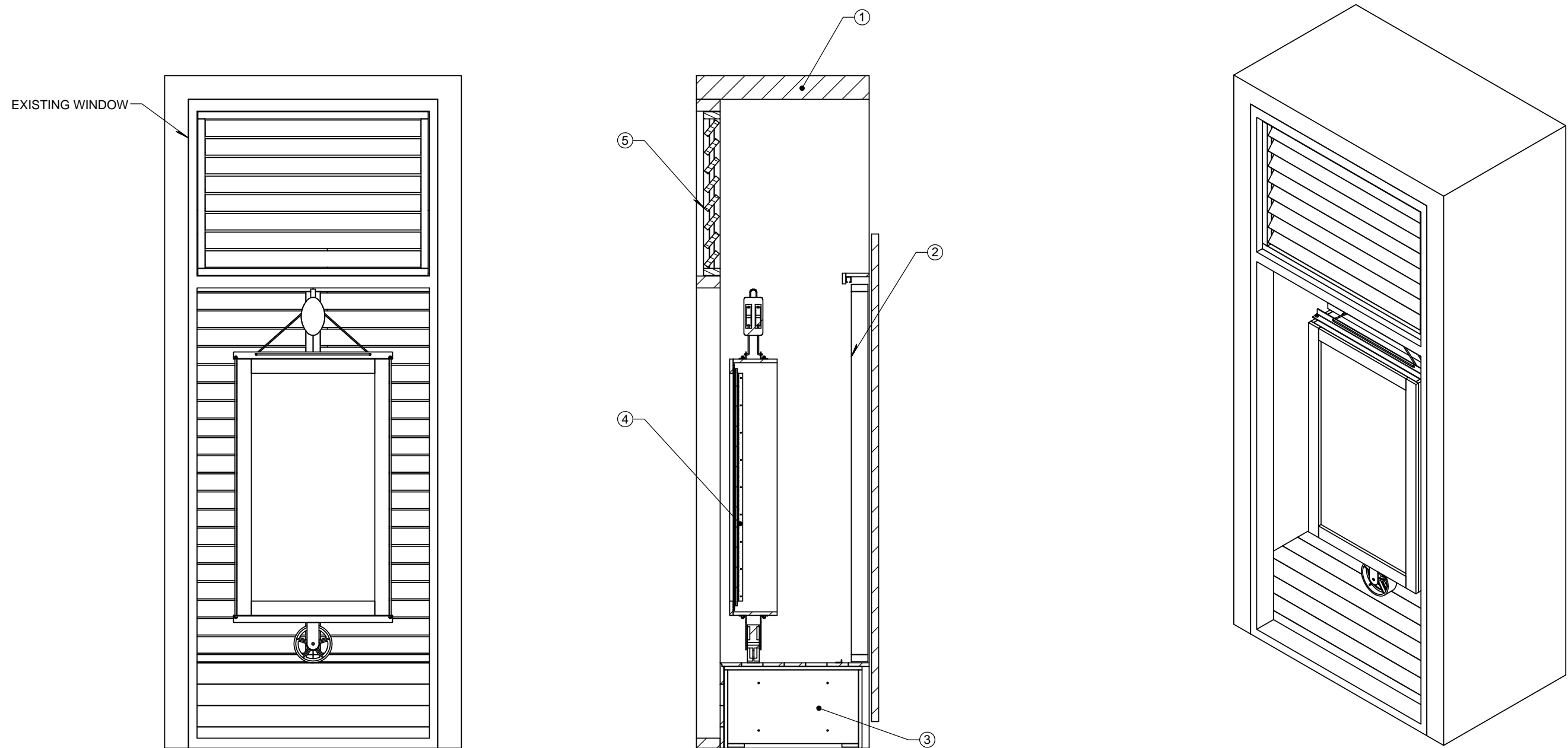
REVISIONS	RELEASED FOR QUOTATION	9/2/2013	NAME	000325-04	2-106	WINDOW CABINET_LARGE	REVISION	1.0
			MAT'L	AS NOTED (SEE BOM)				
			COLOR	AS NOTED (SEE BOM)				
			FINISH	AS NOTED (SEE BOM)				
			SCALE	1:20	DRAWN	FD	DATE	9/3/2013



CSC Worldwide
4401 EQUITY DRIVE, COLUMBUS, OH 43228
PHONE: 614-850-1460 FAX: 614-850-1461

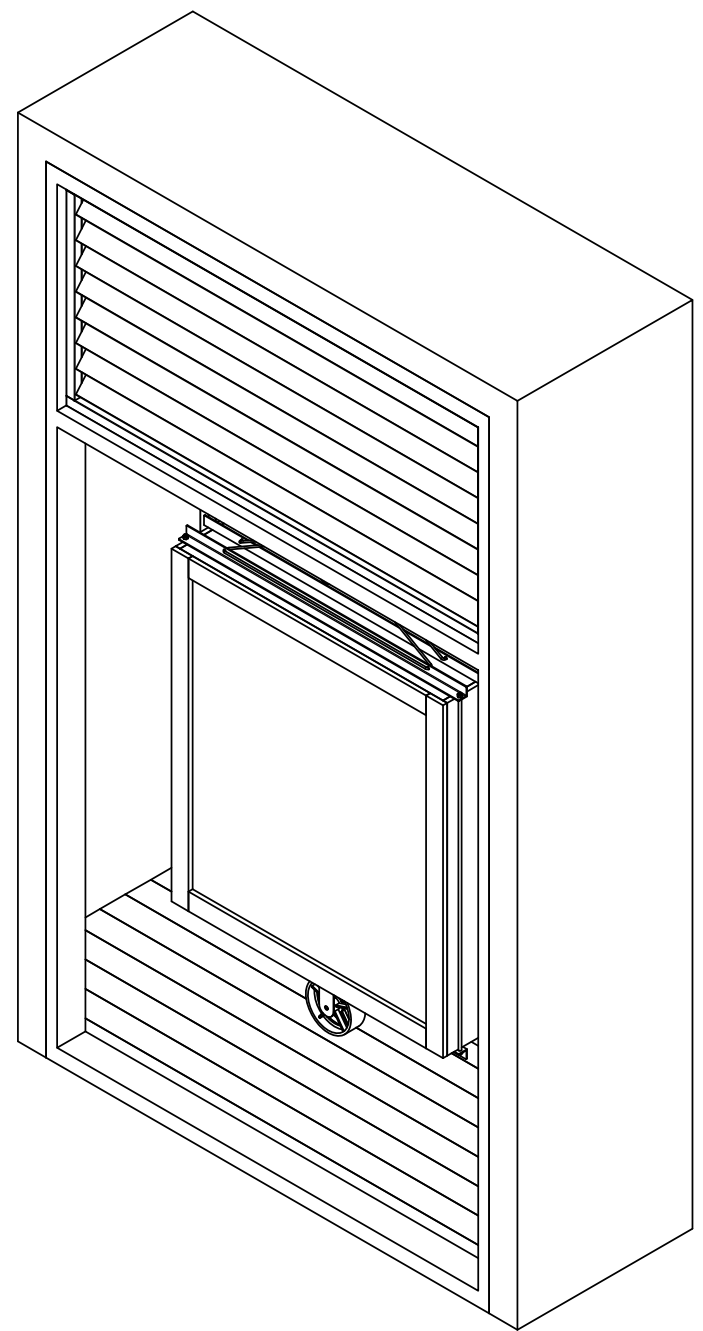
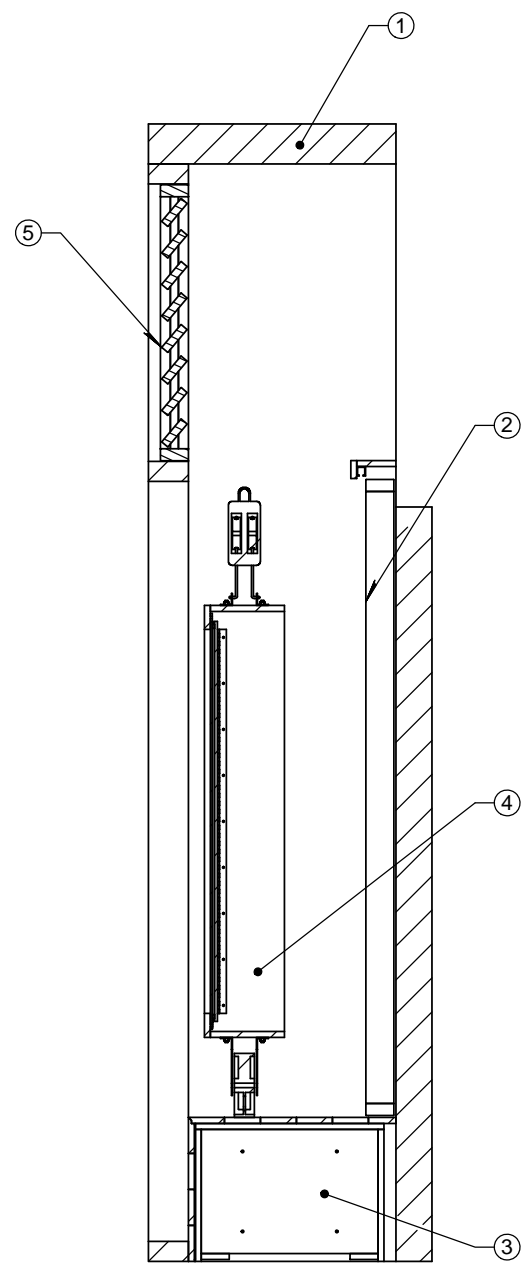
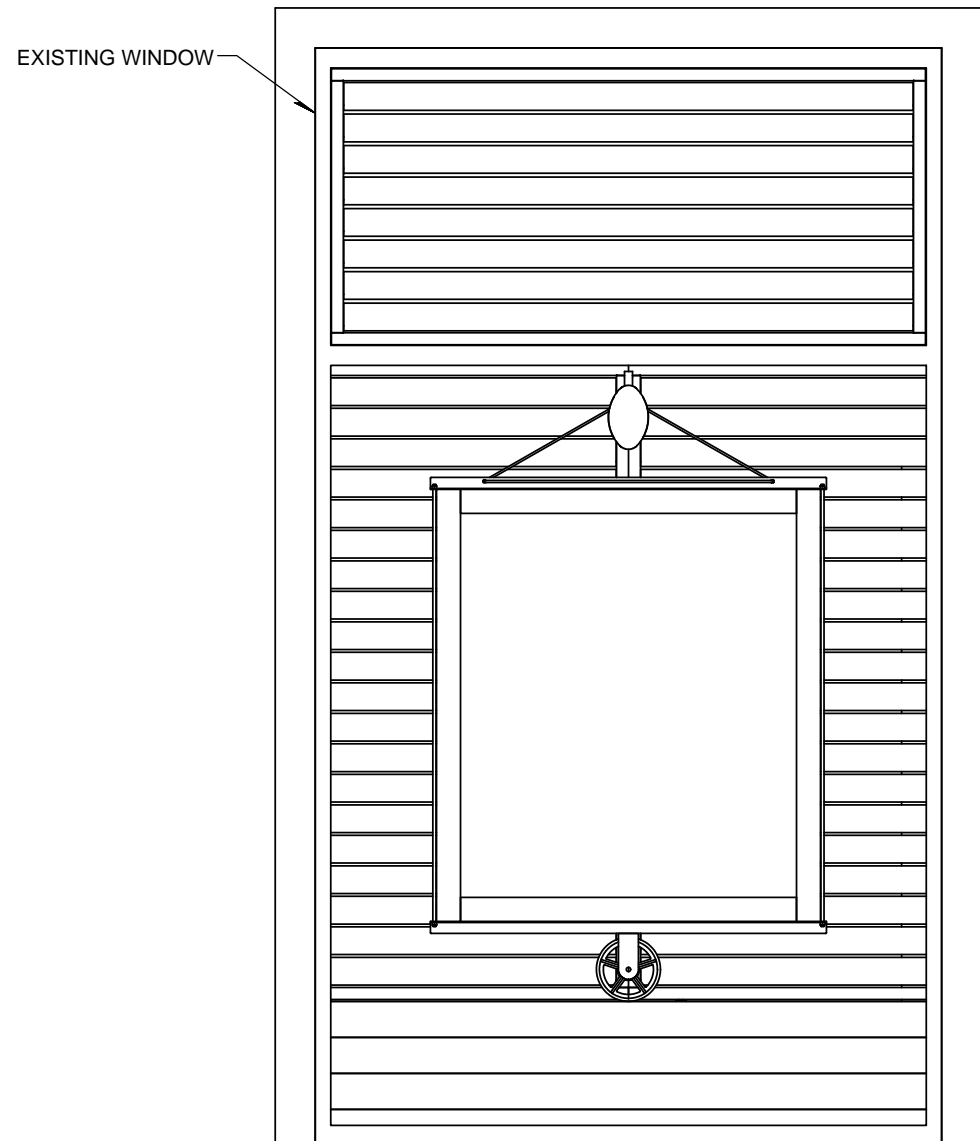
SHEET	1 of 1	SIZE	B
-------	--------	------	---

ITEM NO.	Project	NUMBER	PART NAME	MATERIAL	FINISH	COLOR	DESCRIPTION	QTY	REV
1	000325-04	0-100E	WINDOW E	AS NOTED	AS NOTED (SEE BOM)	AS NOTED (SEE BOM)		1	1.0
2	000325-04	2-101E	SLIDING LOUVERS_E	AS NOTED (SEE BOM)	AS NOTED (SEE BOM)	AS NOTED (SEE BOM)	----	1	1.0
3	000325-04	2-102E	BASE ASSEMBLY_E	AS NOTED (SEE BOM)	AS NOTED (SEE BOM)	AS NOTED (SEE BOM)	----	1	1.0
4	000325-04	2-206	WINDOW CABINET_SMALL	AS NOTED (SEE BOM)	AS NOTED (SEE BOM)	AS NOTED (SEE BOM)	----	1	1.0
5	000325-04	3-303E	SHUTTER_UPPER_E	POPLAR AND 1/4" STEEL	PAINTED	WHITE		1	1.0



REVISIONS	RELEASED FOR QUOTATION	8/31/2013	NAME	000325-04	0-101E	WINDOW DISPLAY_WINDOW E	REVISION	1.0			
			MAT'L	AS NOTED (SEE BOM)				 4401 EQUITY DRIVE, COLUMBUS, OH 43228 PHONE: 614-850-1460 FAX: 614-850-1461			
			COLOR	AS NOTED (SEE BOM)							
			FINISH	AS NOTED (SEE BOM)							
			SCALE	1:24	DRAWN	FD	DATE	9/3/2013	SHEET	1 of 1	SIZE

ITEM NO.	Project	NUMBER	PART NAME	MATERIAL	FINISH	COLOR	DESCRIPTION	0-101F_WINDOW F/QTY.	REV
1	000325-04	0-100F	WINDOW F	AS NOTED	AS NOTED (SEE BOM)	AS NOTED (SEE BOM)		1	1.0
2	000325-04	2-101F	SLIDING LOUVERS_F	AS NOTED (SEE BOM)	AS NOTED (SEE BOM)	AS NOTED (SEE BOM)	----	1	1.0
3	000325-04	2-102F	BASE ASSEMBLY_F	AS NOTED (SEE BOM)	AS NOTED (SEE BOM)	AS NOTED (SEE BOM)	----	1	1.0
4	000325-04	2-106	WINDOW CABINET_LARGE	AS NOTED (SEE BOM)	AS NOTED (SEE BOM)	AS NOTED (SEE BOM)	----	1	1.0
5	000325-04	3-303F	SHUTTER_UPPER_F	POPLAR AND 1/4" STEEL	PAINTED	WHITE		1	1.0



REVISIONS	RELEASED FOR QUOTATION	8/31/2013	NAME	000325-04	0-101F	WINDOW DISPLAY_WINDOW F	REVISION	1.0			
			MAT'L	AS NOTED (SEE BOM)				 CSC Worldwide 4401 EQUITY DRIVE, COLUMBUS, OH 43228 PHONE: 614-850-1460 FAX: 614-850-1461			
			COLOR	AS NOTED (SEE BOM)							
			FINISH	AS NOTED (SEE BOM)							
			SCALE	1:24	DRAWN	FD	DATE	9/3/2013	SHEET	1 of 1	SIZE