

1 PLAN & ELEVATION  
Scale: 3/4" = 1'-0"

GENERAL NOTES:  
FIELD VERIFY ALL DIMENSIONS PRIOR TO  
INSTALLATION.



VINTAGEVIEW®  
MOVING WINE STORAGE FORWARD

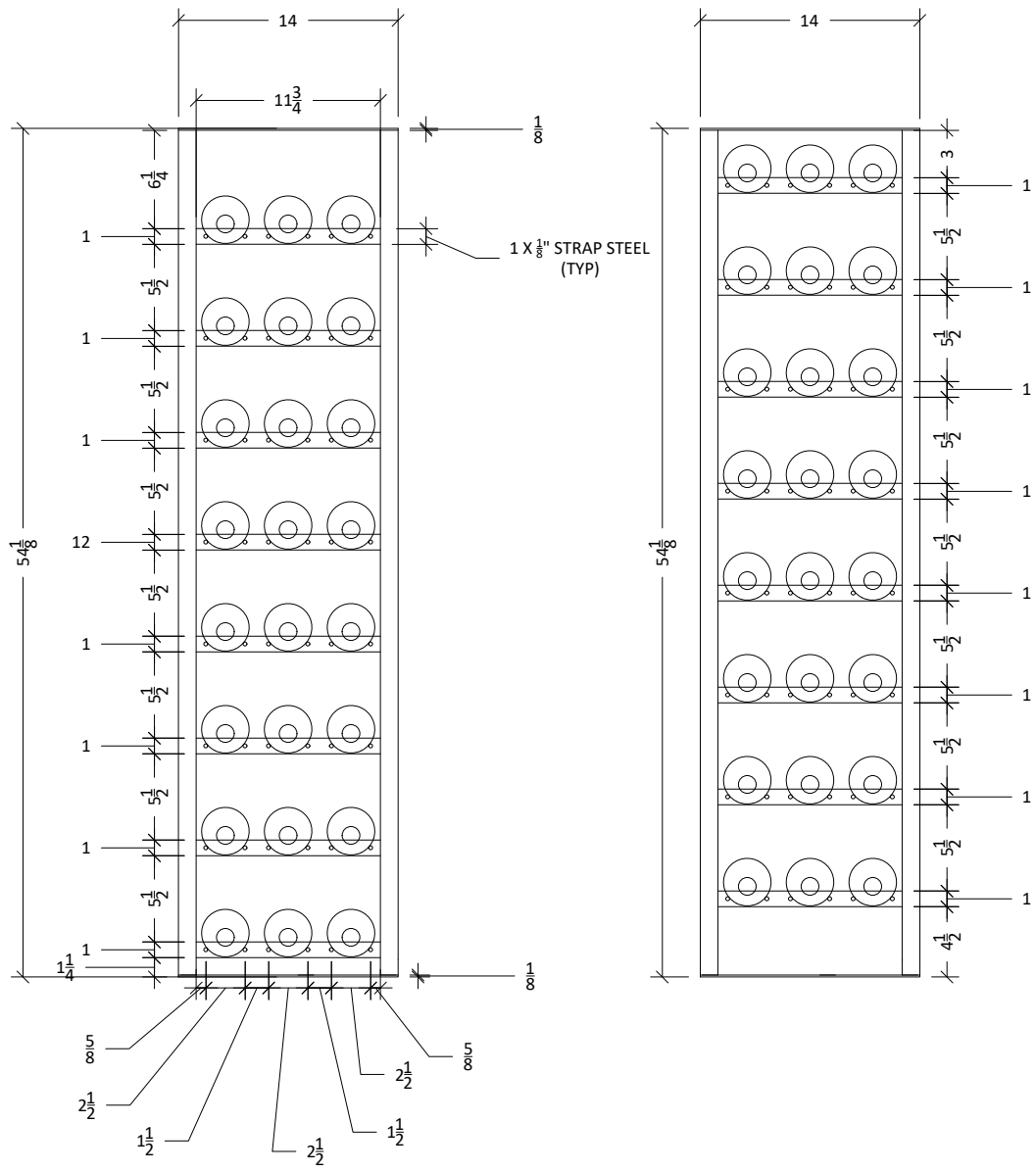
Installation Videos: <http://vintageview.com/support>

COMPANY: VINTAGE VIEW  
CONTACT: SAM BROWN  
PROJECT: WEEMS WINE CELLAR

DRAWN BY: KS	DATE: 05-10-19
REV: 1	ESTIMATE: 43384
BOTTLE COUNT: 113	FINISH: ACYLIC/CHROME/BRUSHED NICKEL/MILLED ALUM

DRAWING NO.

P1

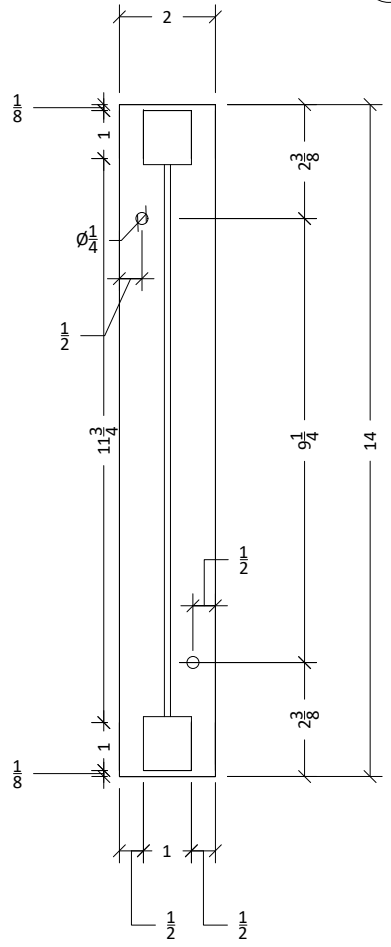


CENTER FRAMES QTY: 2

SIDE FRAMES QTY: 4

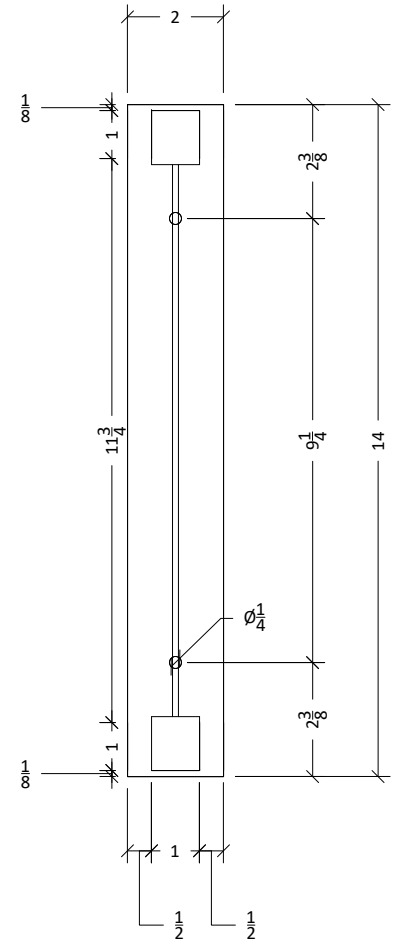
**1** CUSTOM FCFs  
Scale: 1'-0" = 1'-0"

**2** CUSTOM BASE PLATE-CENTER FRAMES  
Scale: 3'-0" = 1'-0"



QTY: 4

**3** CUSTOM BASE PLATE-SIDE FRAMES  
Scale: 3'-0" = 1'-0"



QTY: 8

GENERAL NOTES:  
FIELD VERIFY ALL DIMENSIONS PRIOR TO  
INSTALLATION.



**VINTAGEVIEW**®  
MOVING WINE STORAGE FORWARD

Installation Videos: <http://vintageview.com/support>

COMPANY: VINTAGE VIEW	
CONTACT: SAM BROWN	
PROJECT: WEEMS WINE CELLAR	
DRAWN BY: KS	DATE: 05-10-19
REV: 1	ESTIMATE: 43384
BOTTLE COUNT: 113	FINISH: ACYLIC/CHROME/BRUSHED NICKEL/MILLED ALUM

DRAWING NO.  
**E2**