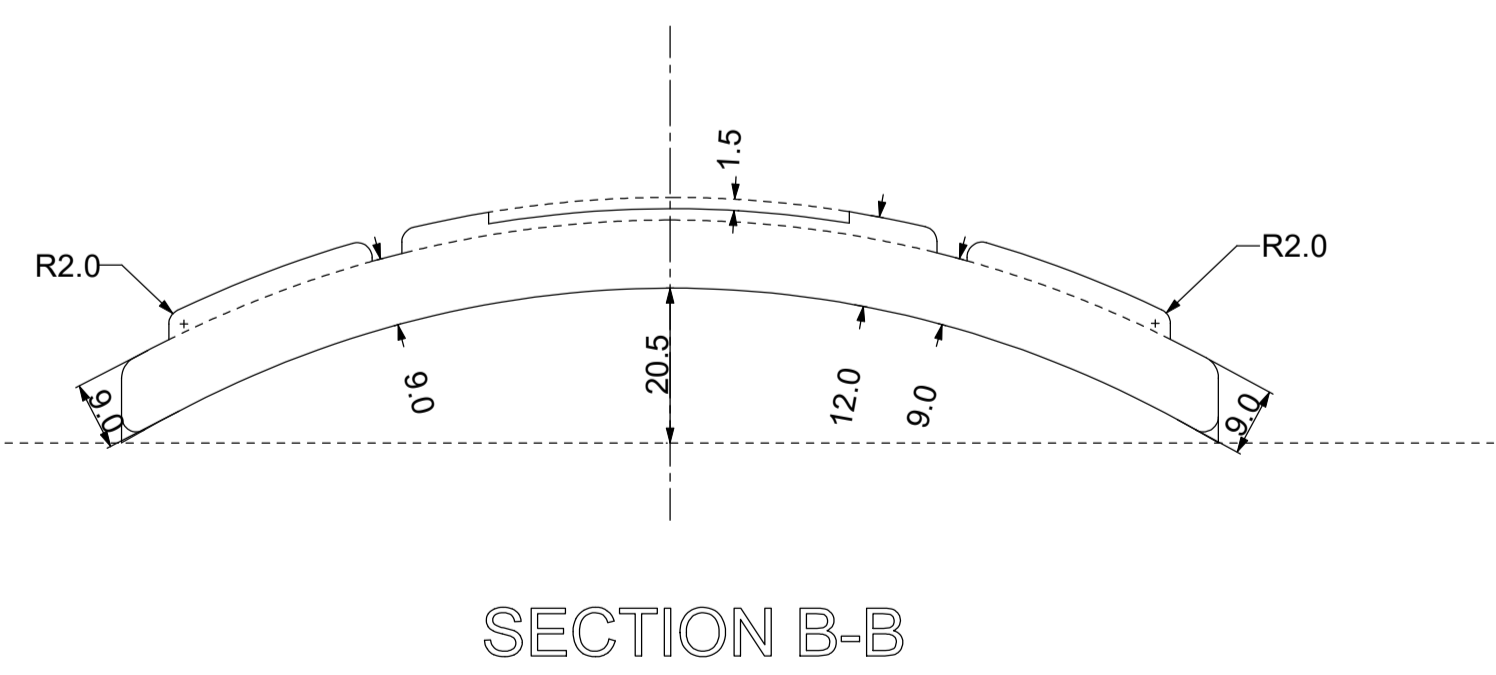
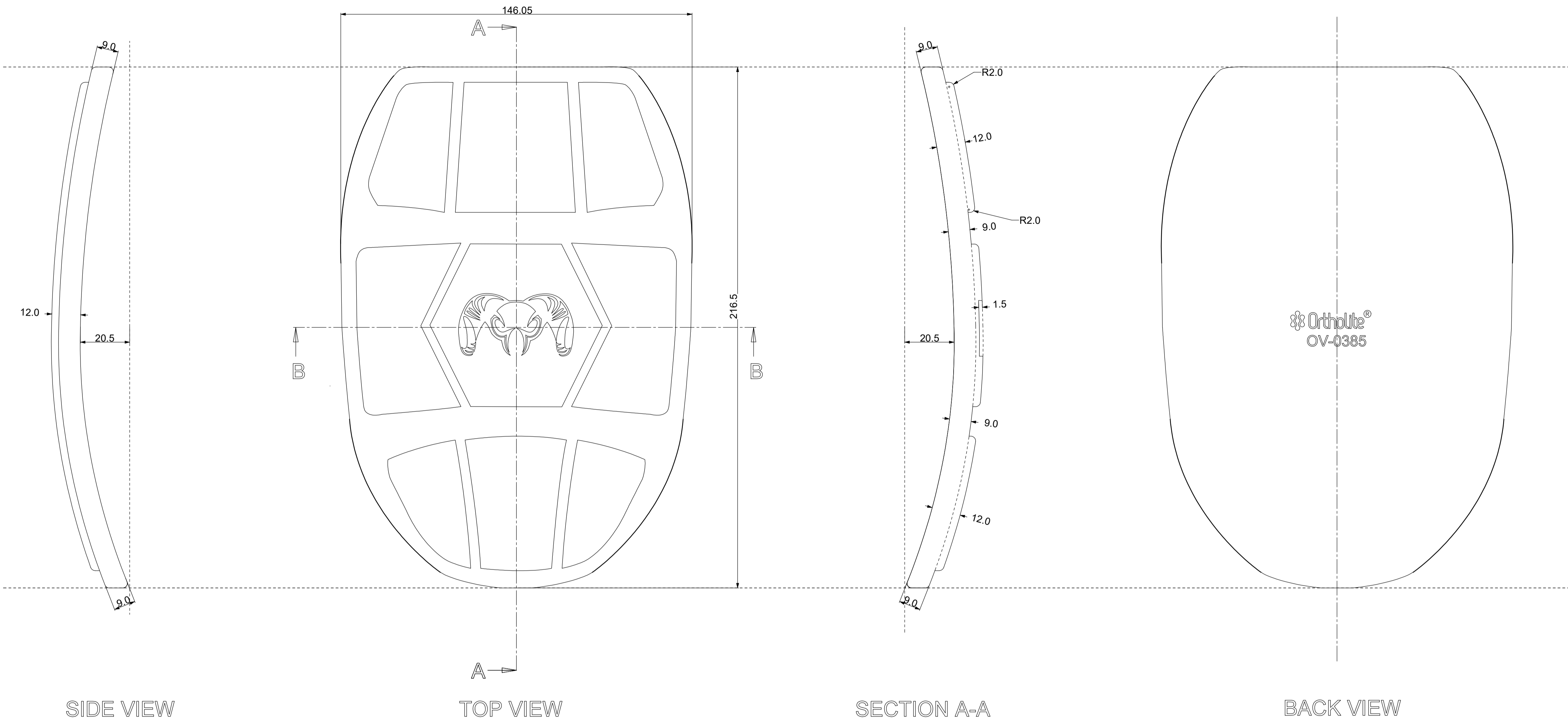


DRAWING STATUS:			
NO.	DATE	CORRECTIONS	DRAFTER
01	2024-11-12	based on OV-0374 to create new drawing OV-0385	MR THAO
02			
03			




宝昌股份有限公司
 BAO XUONG COMPANY LIMITED
 E-mail:baochang8888@gmail.com
 TEL:0650-3589806 FAX:0650-3589807

Mold NO.	OV-0385	Customer		Size	
Model NO.	.	Factory	ORTHOLITE	业务人员	.
LAST NO.	.	绘图日期 DWG Date	2024/11/12	Scale	1:1
Drawn By	MR.THAO	Material	***	CAD Cfm	
File Name	OV-0385	Shingkage	1:1	Final Cfm	