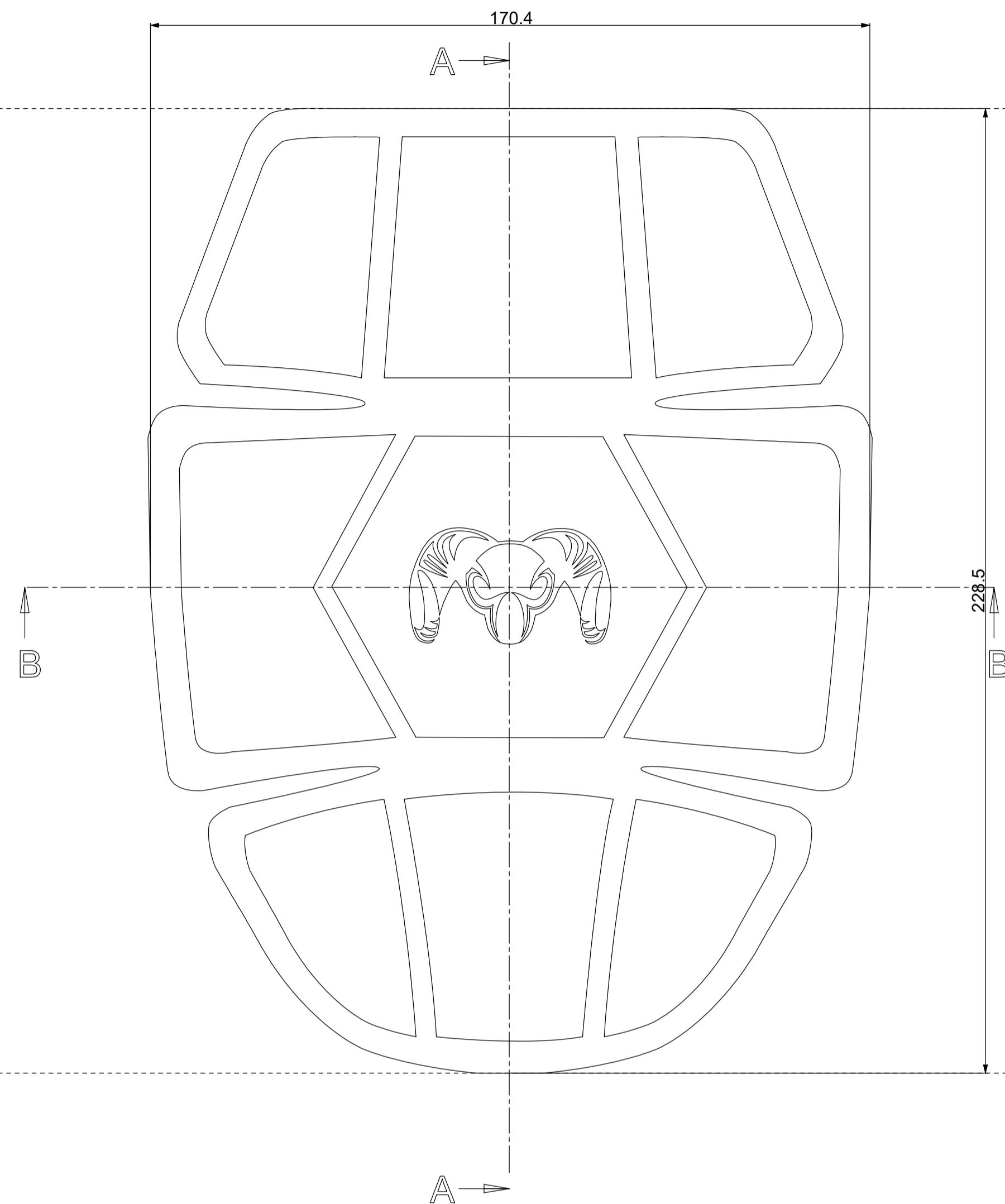
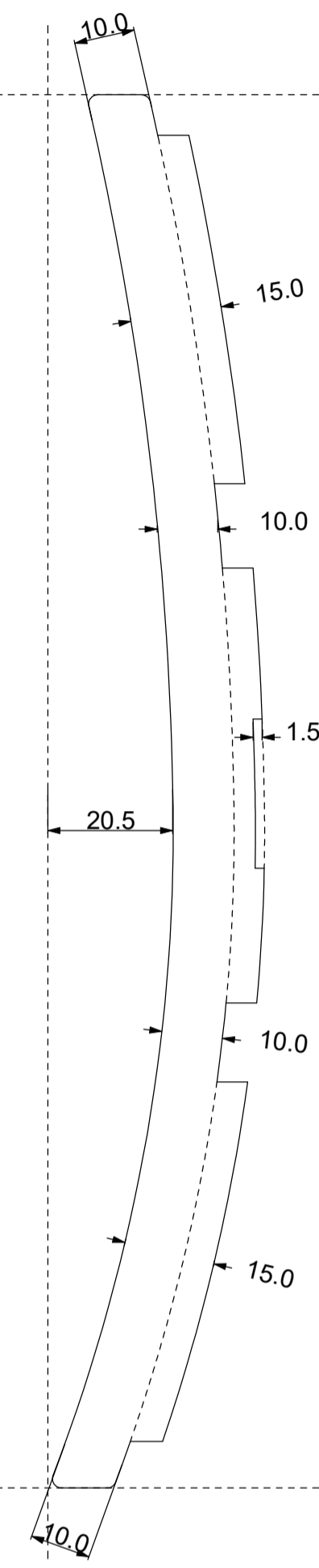


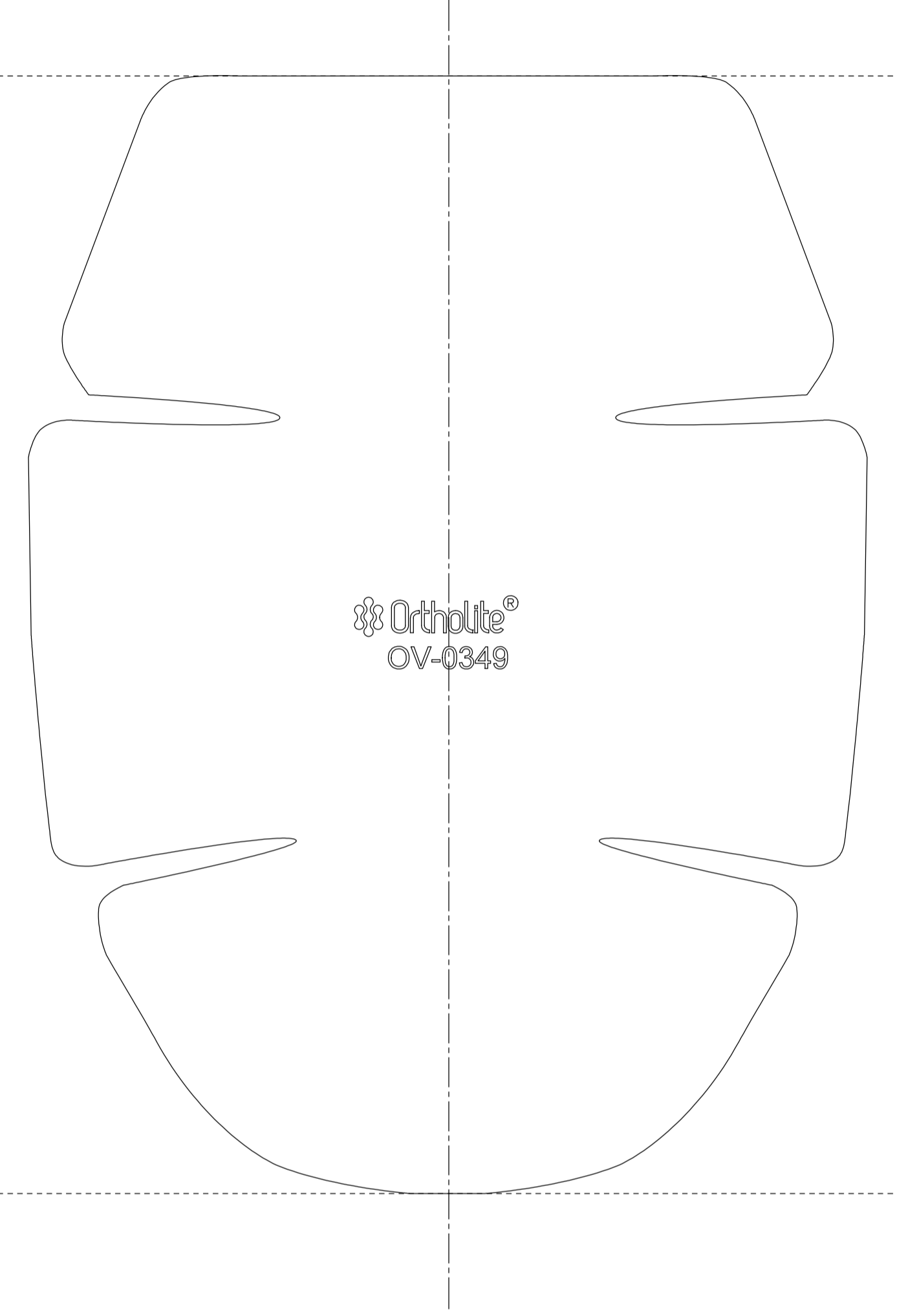
SIDE VIEW



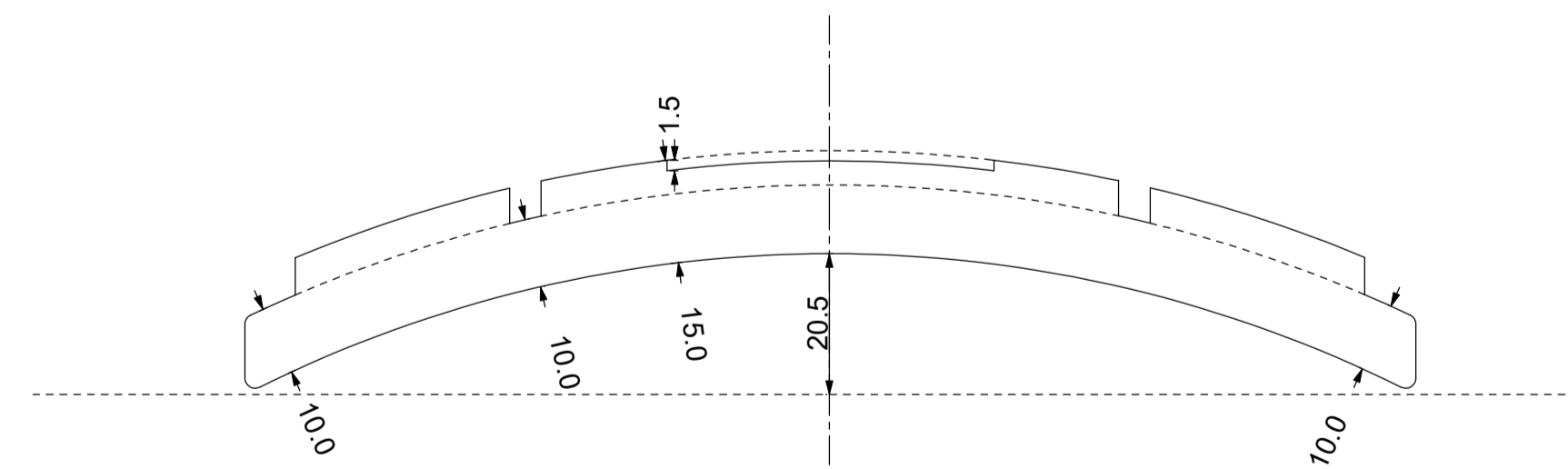
TOP VIEW



SECTION A-A



BACK VIEW



SECTION B-B

 宝昌股份有限公司
BAO XUONG COMPANY LIMITED

E-mail:baochang88888@gmail.com

TEL:0650-3589806 FAX:0650-3589807

Mold NO.	OV-0349	Customer		Size	
Model NO.	.	Factory	ORTHOLITE	Gend	.
LAST NO.	.	绘图日期 DWG Date	2024/06/29	Scale	1:1
Drawn By	MR.THAO	Material	***	CAD Cfm	
File Name	OV-0349	Shingkage	1:1	Final Cfm	