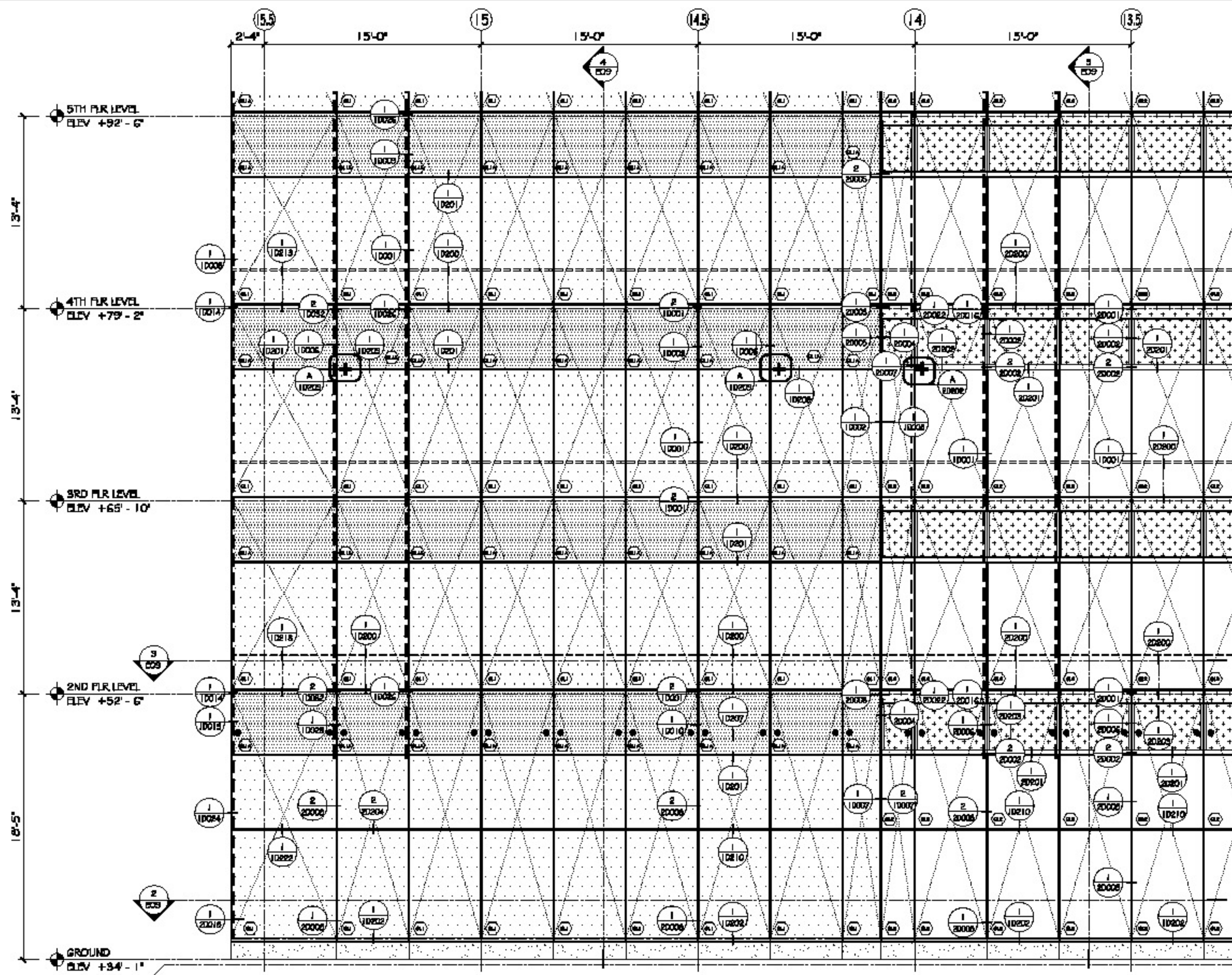
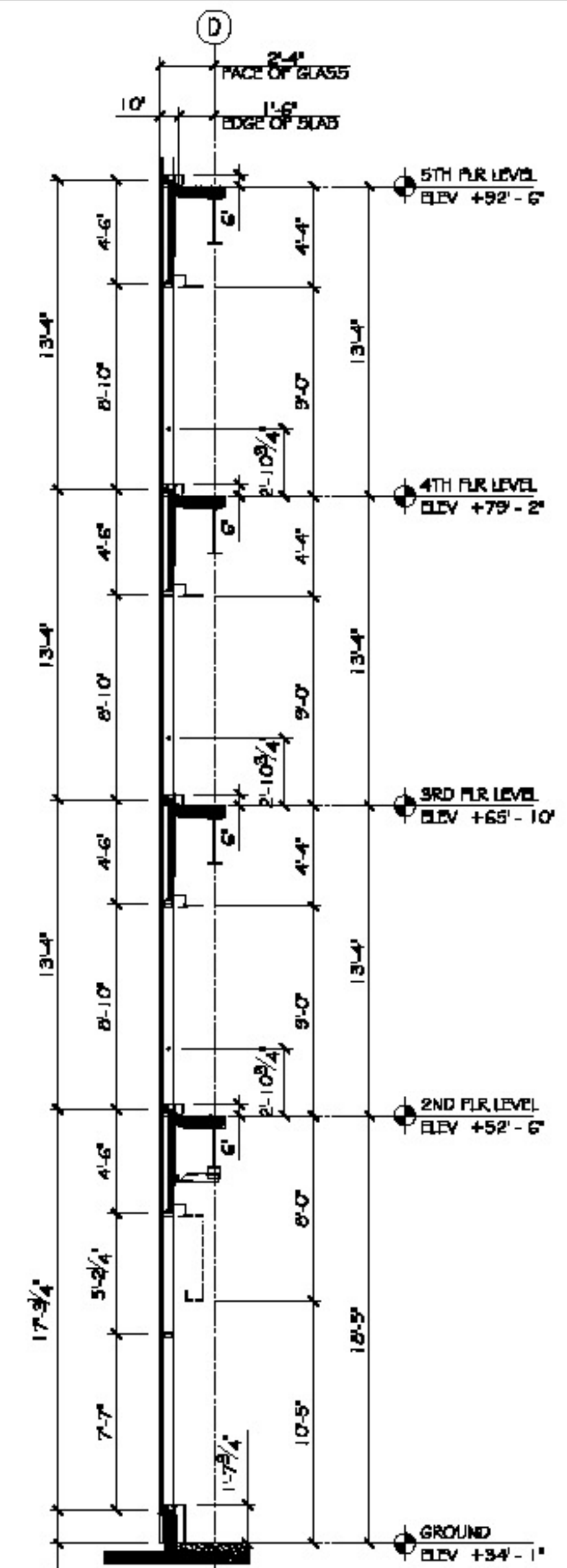


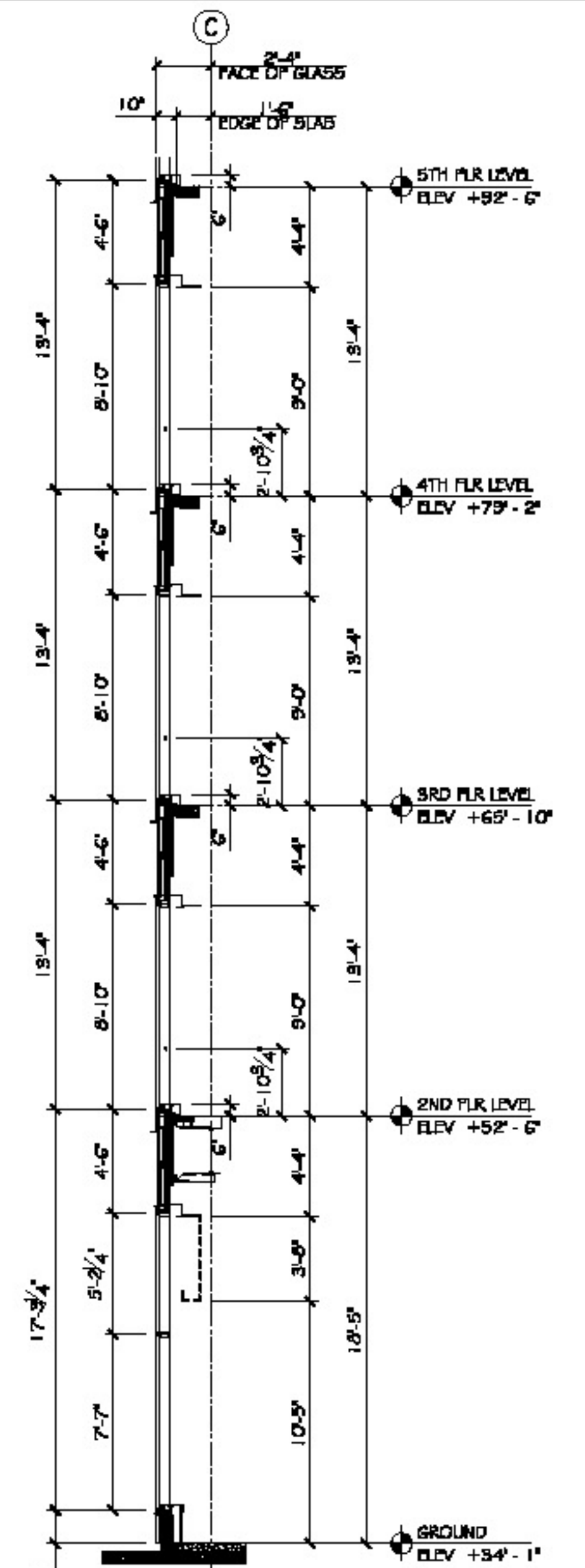
LEGEND	
	GL1 VISION GLASS (WT-1/WT-1A) 1" THK VRE (1-54 IGU)
	GL1A - GLASS WITH SHADOW BOX (WT-1/WT-1A) 1" THK VRE (1-54 IGU)
	GL2 VISION GLASS (WT-2) 1" THK VRE (1-38 IGU)
	GL2A - GLASS WITH SHADOW BOX (WT-2) 1" THK VRE (1-38 IGU)
	ALUMINUM PANEL AL-1 FINISH
	WINDOW WASHING BUTTON
	ALUMINUM FIN AL-1 FINISH
	ALUMINUM GRILLE AL-1 FINISH
	WINDLOAD ANCHOR
	MULLION STIFFENER
	WALL HYDRANT (NOT BY PMA)



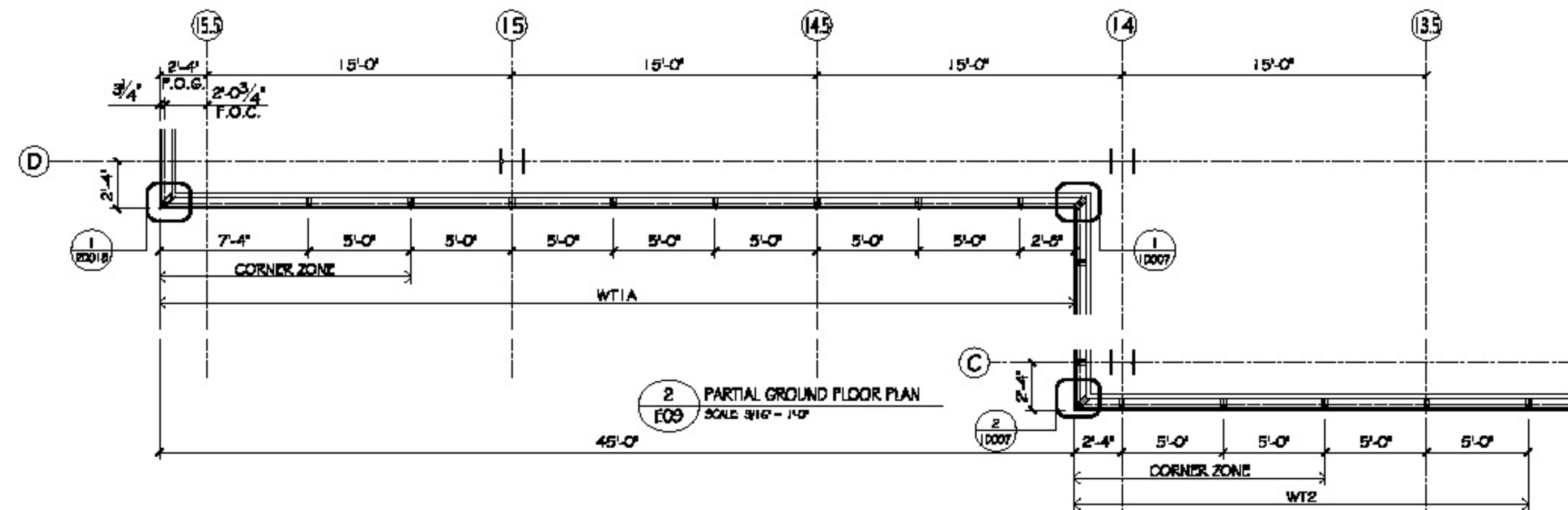
1 PARTIAL WEST ELEVATION
SCALE 3/16" = 1'-0"



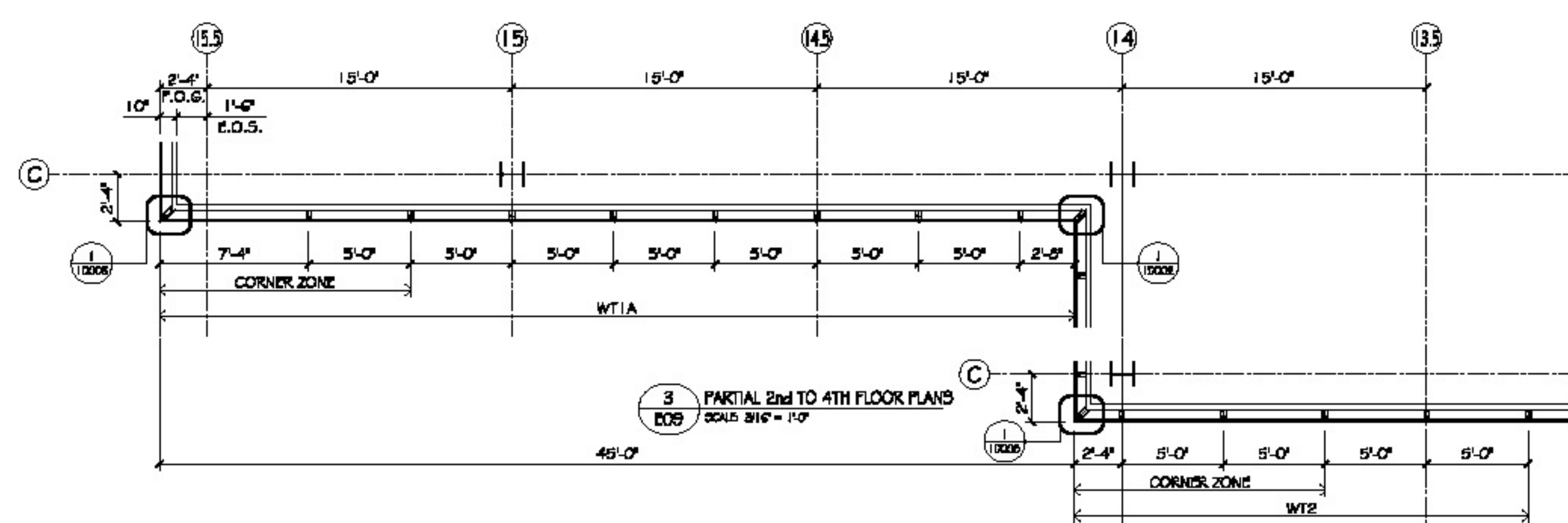
4 TYP. SECTION @ WT1A
SCALE 3/16" = 1'-0"



5 TYP. SECTION @ WT2
SCALE 3/16" = 1'-0"



2 PARTIAL GROUND FLOOR PLAN
SCALE 3/16" = 1'-0"



3 PARTIAL 2ND TO 4TH FLOOR PLANS
SCALE 3/16" = 1'-0"

LEGEND	
	GL1 VISION GLASS (WT-1/WT-1A) 1" THK VRZ I-54 IGU
	GL1A - GLASS WITH SHADOW BOX (WT-1/WT-1A) 1" THK VRZ I-54 IGU
	GL2 VISION GLASS (WT-2) 1" THK VRZ I-56 IGU
	GL2A - GLASS WITH SHADOW BOX (WT-2) 1" THK VRZ I-56 IGU
	ALUMINUM PANEL AL-1 FINISH
	WINDOW WASHING BUTTON
	ALUMINUM PIN AL-1 FINISH
	ALUMINUM GRILLE AL-1 FINISH
	WINDLOAD ANCHOR
	MULLION STOPPER
	WALL HYDRANT (NOT BY PNA)