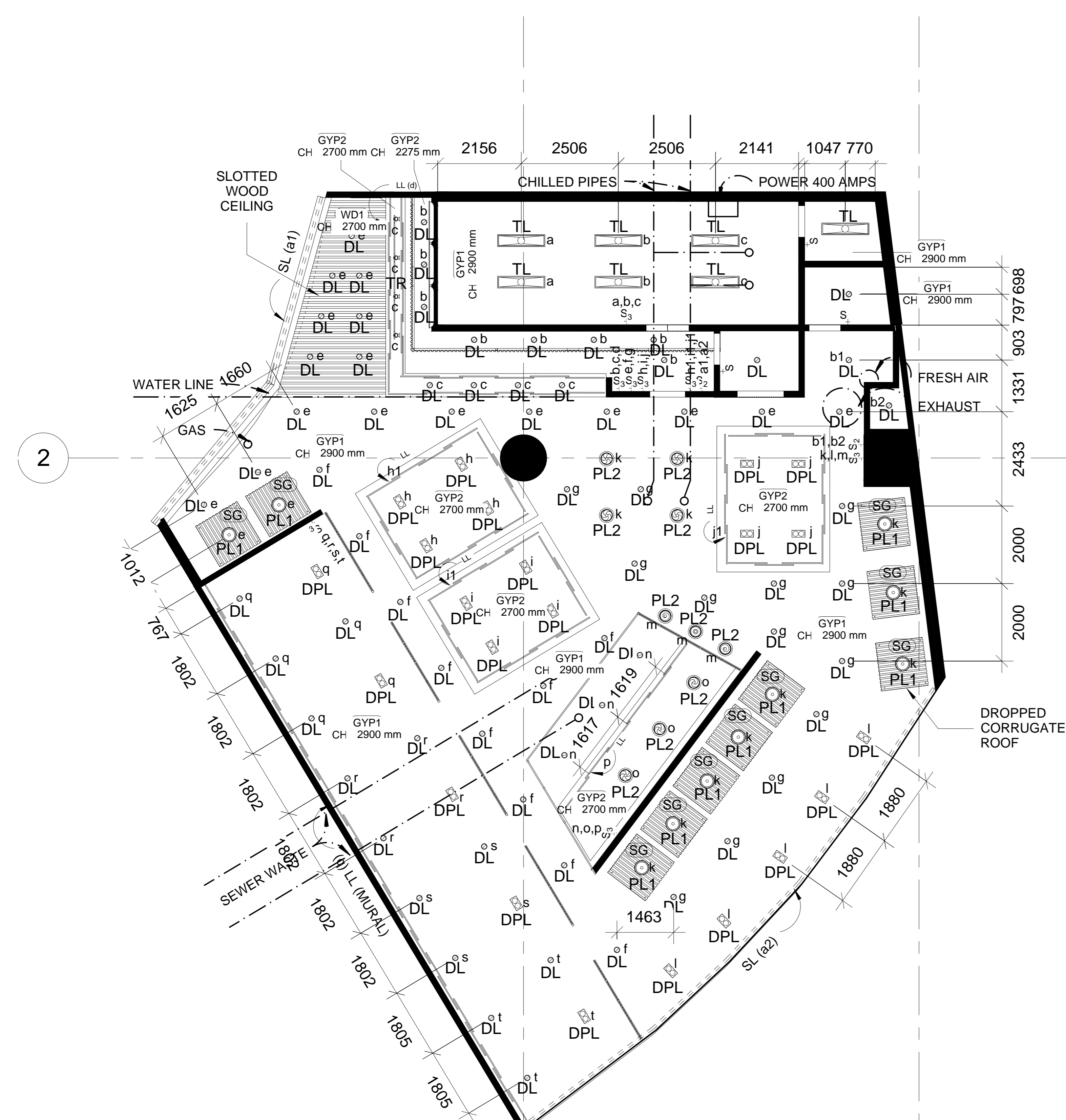
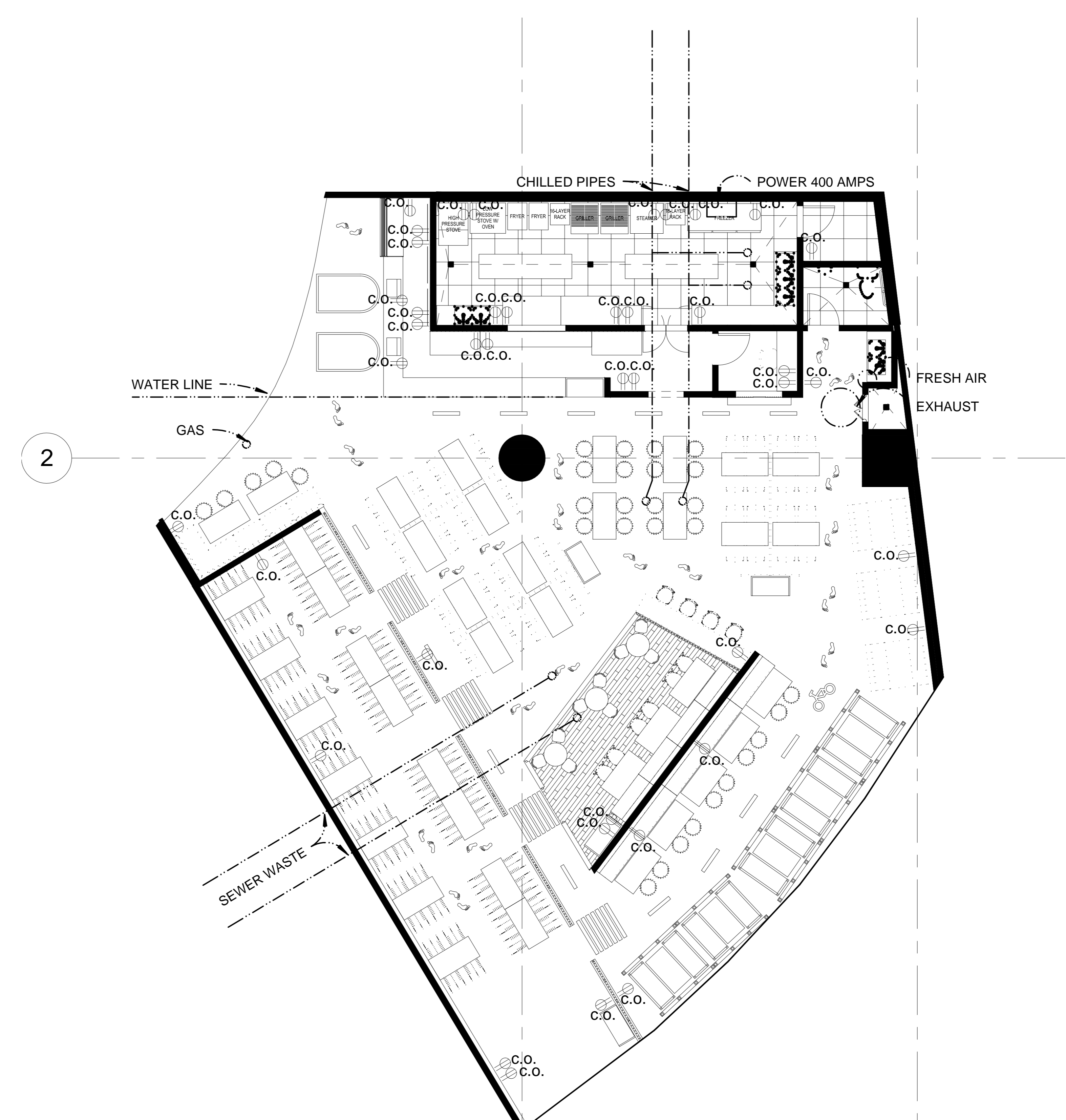


1 FLOOR PLAN
1 : 100

All drawings are representations of professional services and are intellectual properties of These shall not be reproduced without any written agreement with the company. REPUBLIC ACT 9266	ARCHITECT	PROJECT / LOCATION	SHEET CONTENTS	CAD BY	SHEET NO. A101
	IAPOA NO.:	PROPOSED	FLOOR PLAN & PERSPECTIVES	Author	
	P.R.C. NO.:	OWNER		DESIGNED BY RODBRENZ	
	P.T.R. NO.:			Designer RODBRENZ	
PLACE ISSUED:	DATE ISSUED:			CHECKED BY	
	VALIDITY:			Checker	
	DATE ISSUED:				
	T.I.N.:				



1 REFLECTED CEILING PLAN
1 : 100

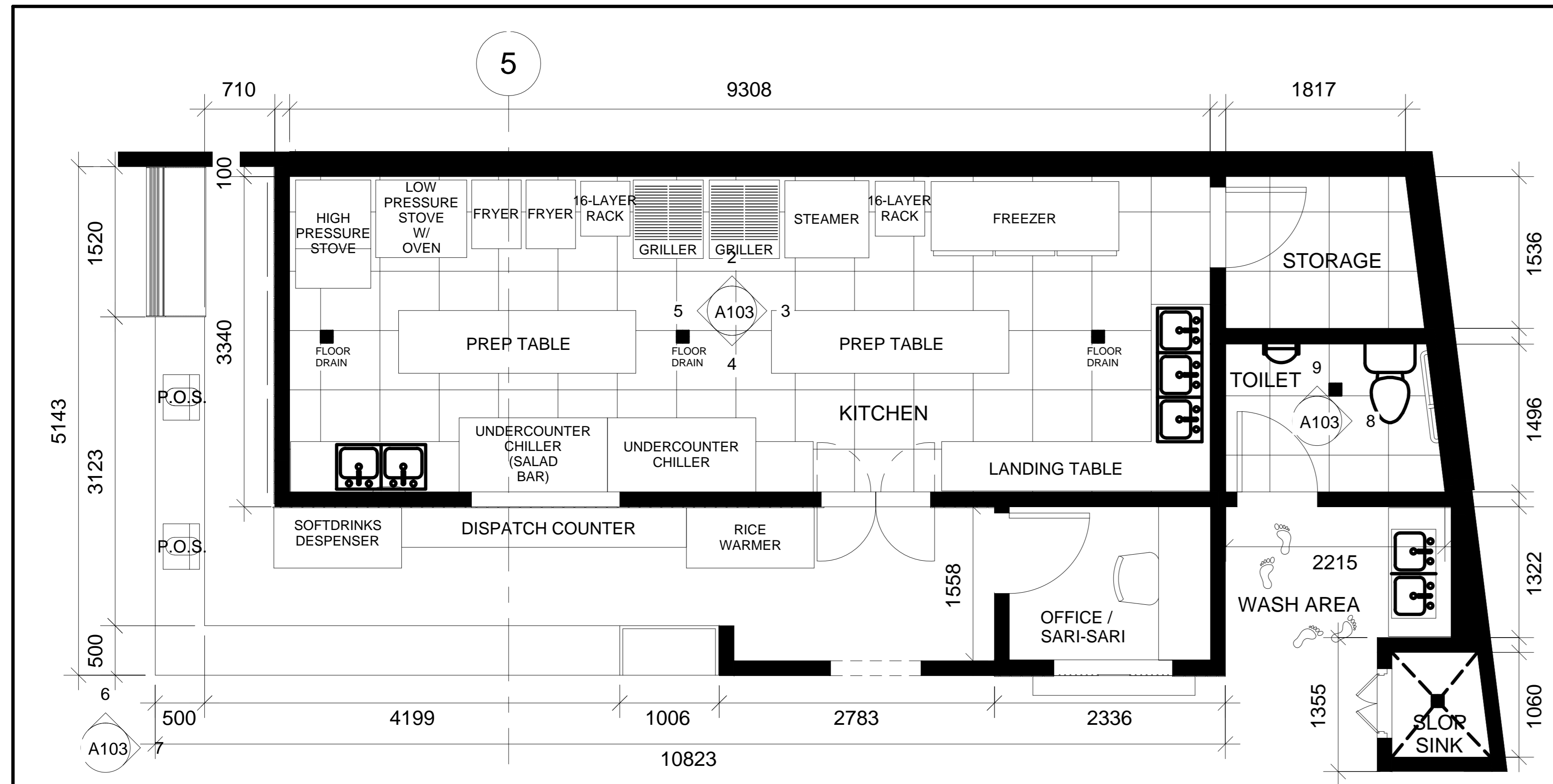


2 POWER LAYOUT
1 : 100

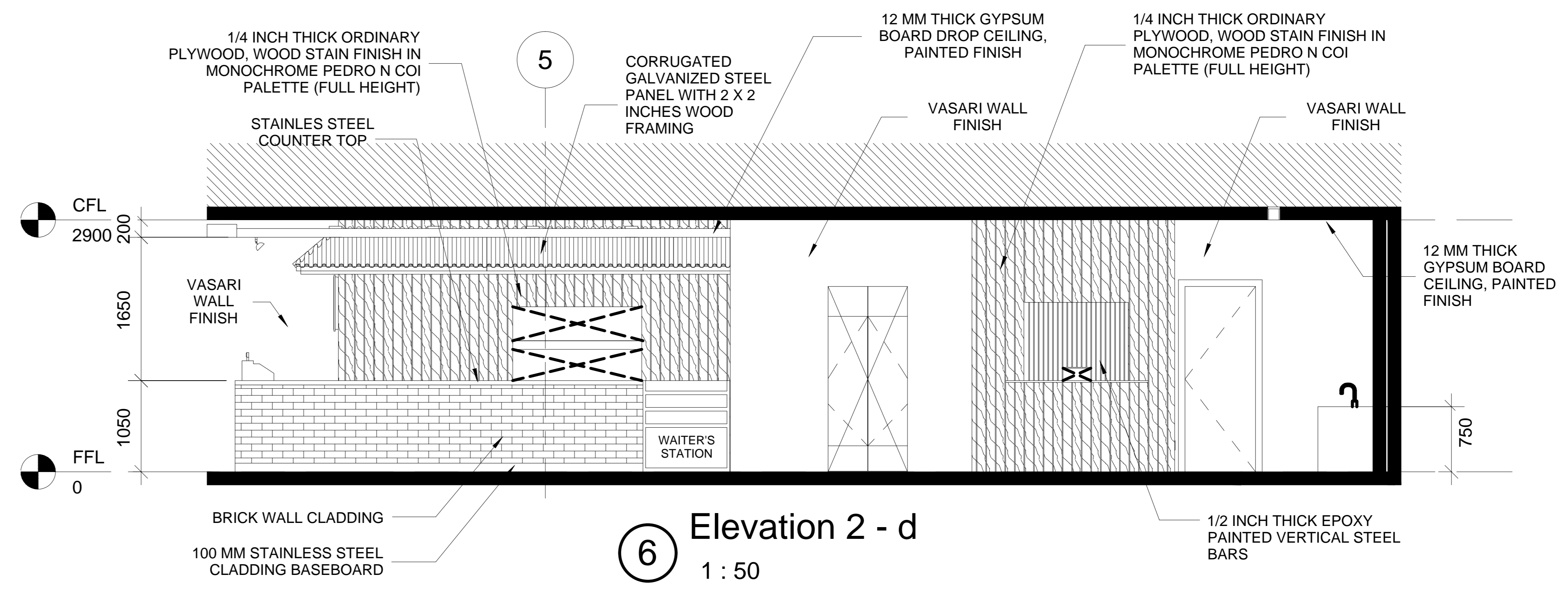
LEGEND	
DL	RECESSED CAN DOWN LED LIGHT (WARM WHITE)
LL	T5 & T8 LINEAR LED LIGHT (COVE LIGHTING, KITCHEN & PARK MURAL DAY LIGHT).
DPL	DOUBLE RECESSED PINLIGHT (WHITE LIGHT)
PL1	LED PENDANT LIGHT WITH ROUND ALUMINUM LAMP SHADE AND RUBBER CORD
PL2	LED PENDANT LIGHT WITH TRANSPARENT GLASS LAMP SHADE AND RUBBER CORD
SL	SIGNAGE LIGHT
C.O.	DUPLEX CONVENIENCE OUTLET
TR	TWO LAMP LED TRACK LIGHT (WARM WHITE)
TL	TWO LINEAR LED TROFFER LIGHT
S ₁	1 - GANG LIGHTING SWITCH
S ₂	2 - GANG LIGHTING SWITCH
S ₃	3 - GANG LIGHTING SWITCH
S	SPRINKLER
GYP1	12 MM THICK GYPSUM BOARD CEILING, PAINTED FINISH
GYP2	12 MM THICK GYPSUM BOARD CEILING, DROP CEILING WITH COVE LIGHTING
WD1	150 X 90 MM THICK SLOTTED WOOD, DROP CEILING
SG	1200 X 1200 MM SUSPENDED G.I. CORRUGATED ROOF CEILING IN STEEL HANGER

*NOTE: IF IN ANY CASE A CONFLICT OCCURS BETWEEN ARCHITECTURAL PLANS AND ELECTRICAL PLANS, ARCHITECTURAL WILL PREVAIL.

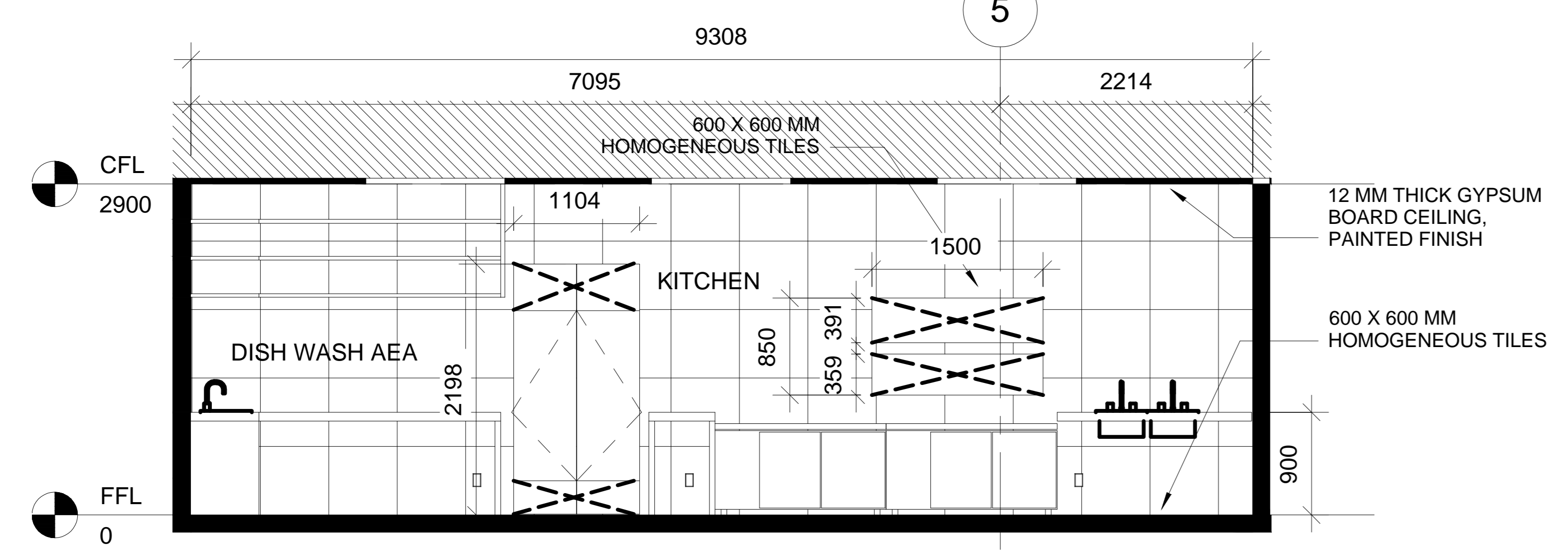
All drawings are representations of professional services and are intellectual properties of These shall not be reproduced without any written agreement with the company. REPUBLIC ACT 9266	ARCHITECT	PROJECT / LOCATION	SHEET CONTENTS	CAD BY	SHEET NO.
		PROPOSED TAMBAYAN NI PEDRO (SM City Manila)	FLOOR PLAN & PERSPECTIVES ICAL LAYOUT	Author	A102
	IAPOA NO.:	OWNER		DESIGNED BY RODBRENZ	
	P.R.C. NO.:			Designer RODBRENZ	
P.T.R. NO.:			CHECKED BY		
PLACE ISSUED:				Checker	



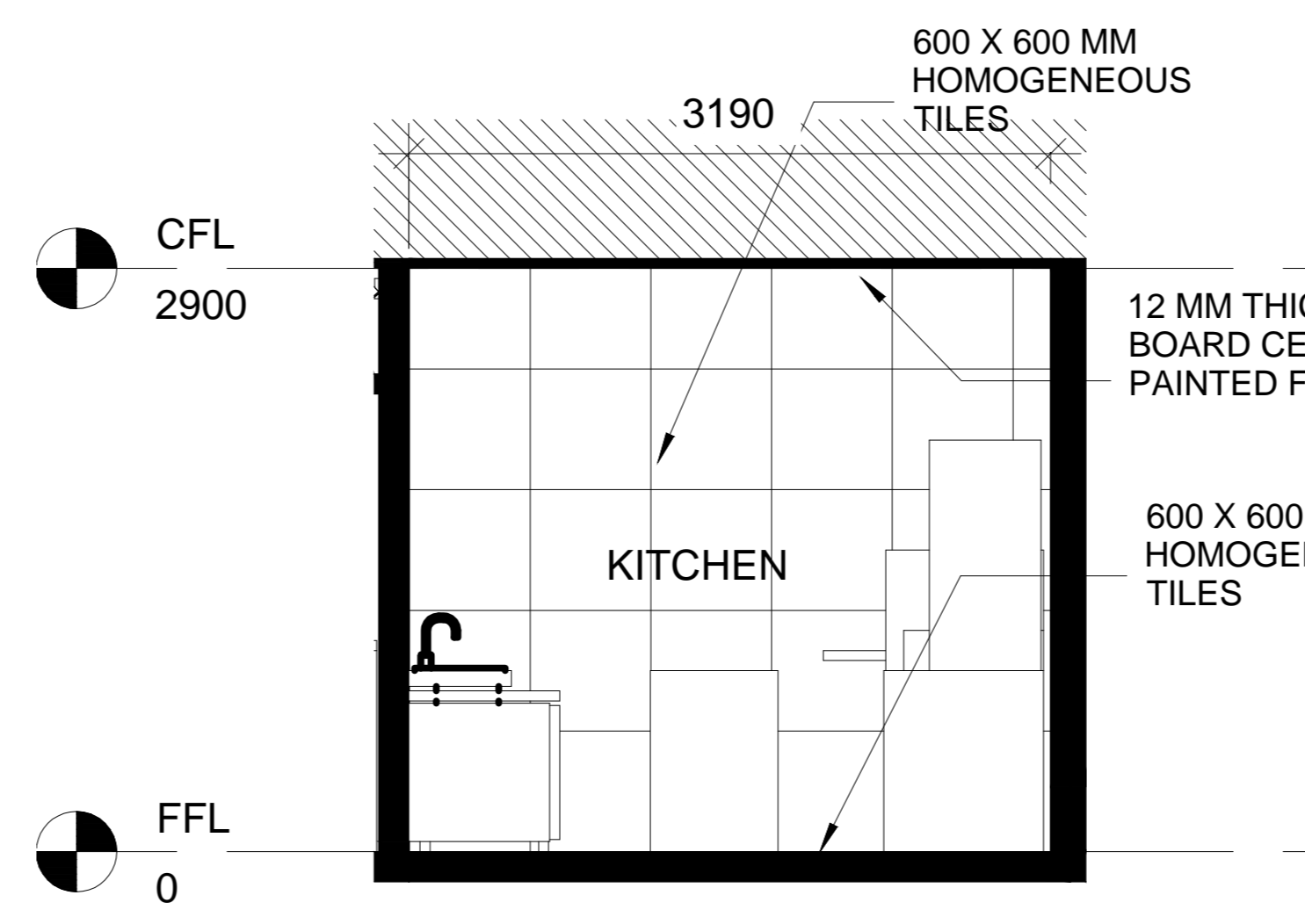
1 COUNTER AND KITCHEN BLOW-UP PLAN
1 : 50



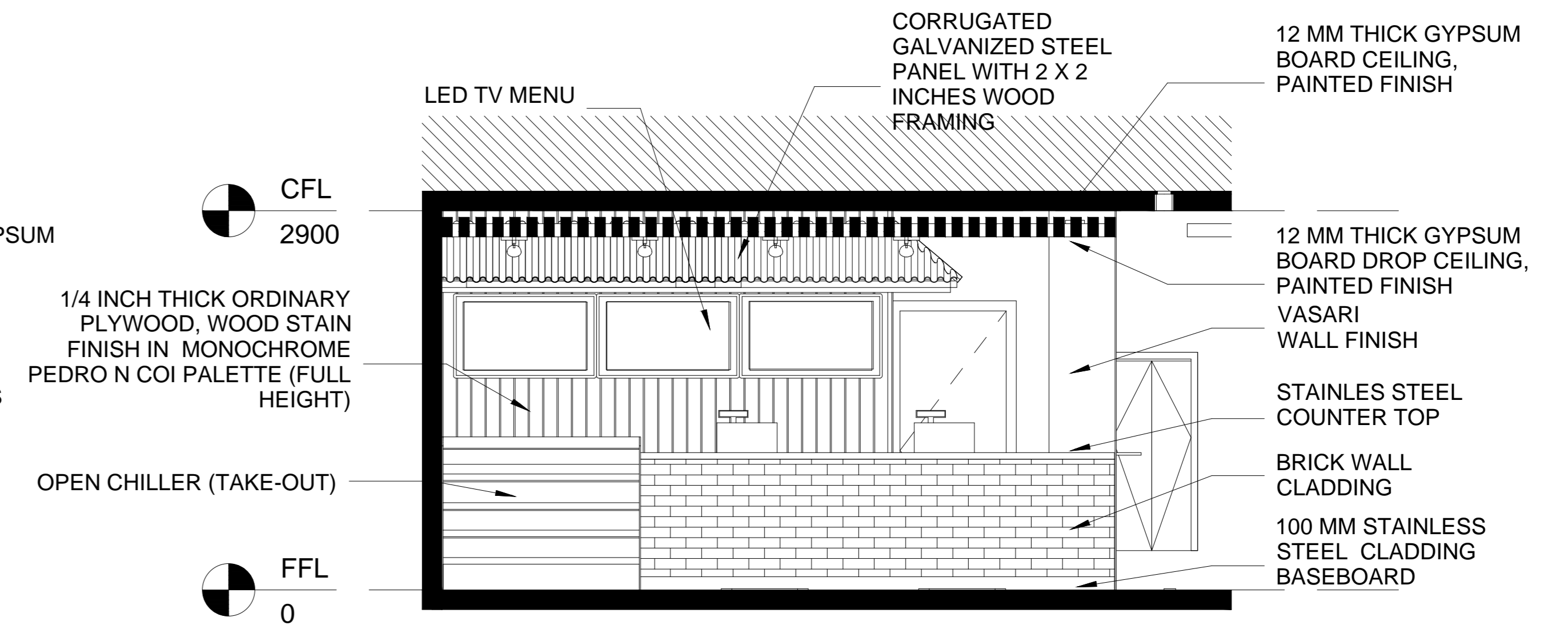
6 Elevation 2 - d
1 : 50



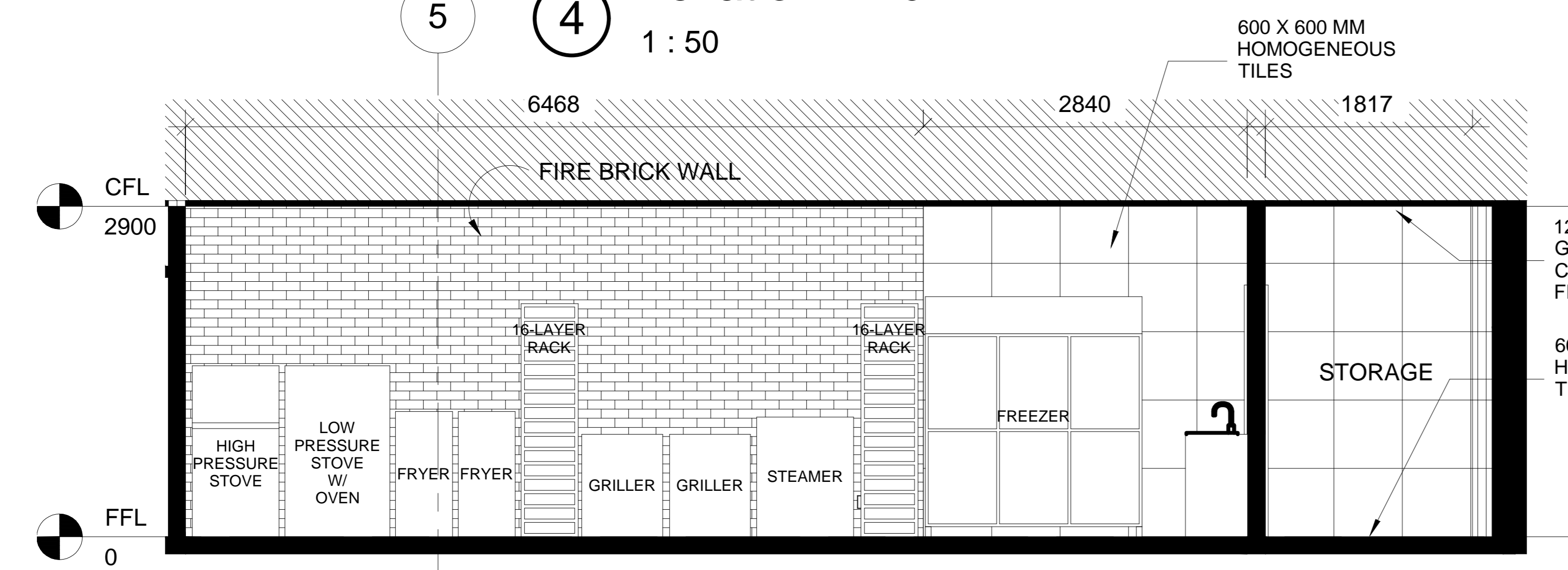
4 Elevation 1 - c
1 : 50



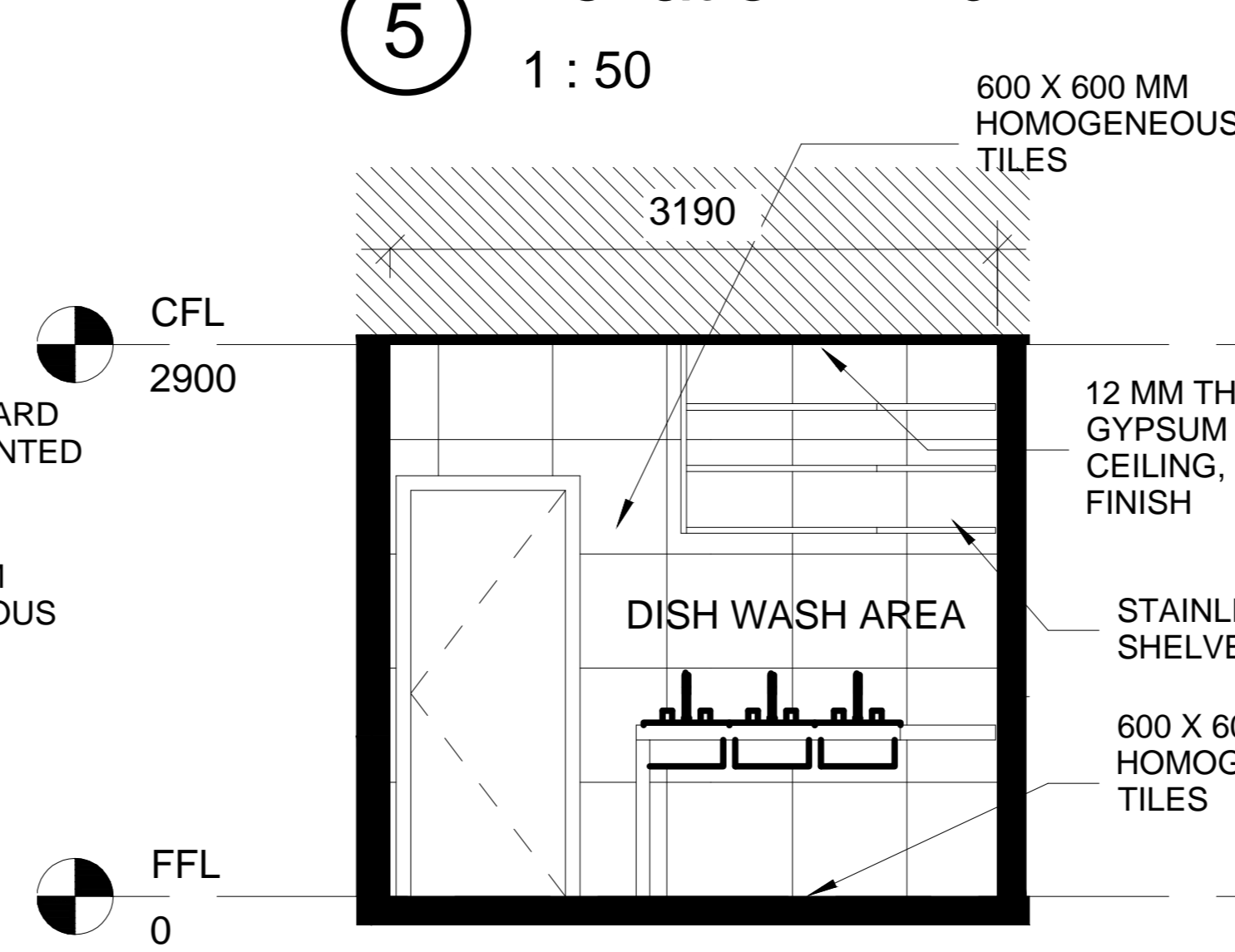
5 Elevation 1 - d
1 : 50



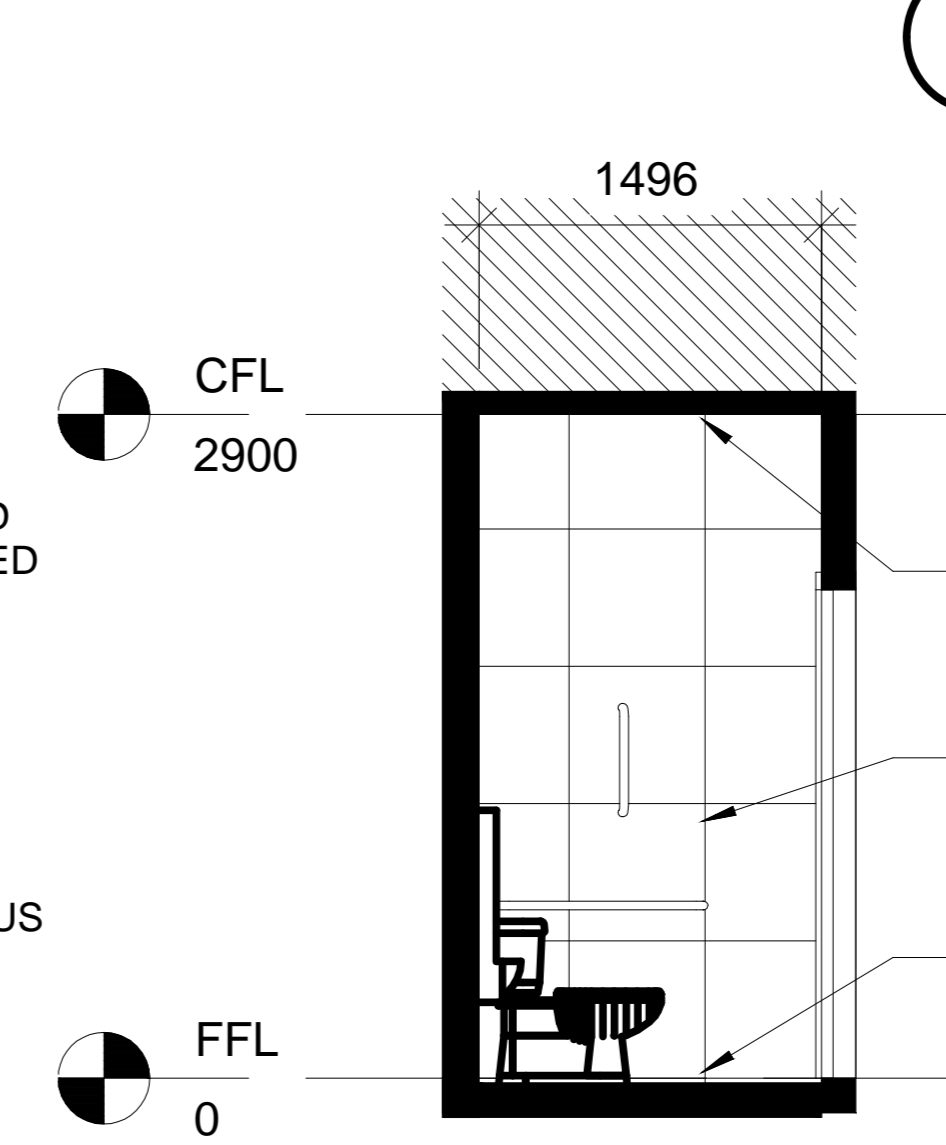
7 Elevation 2 - a
1 : 50



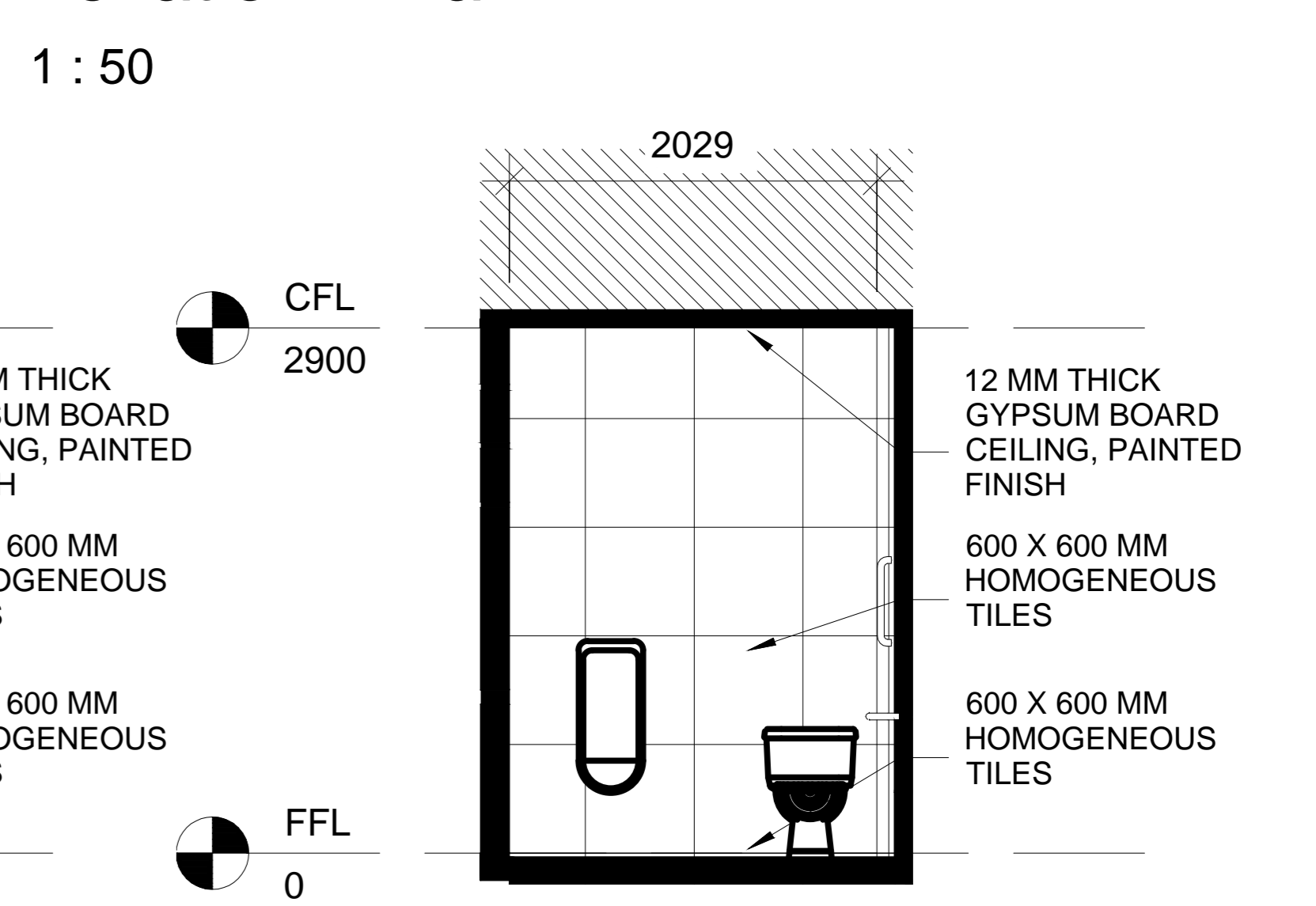
2 Elevation 1 - a
1 : 50



3 Elevation 1 - b
1 : 50

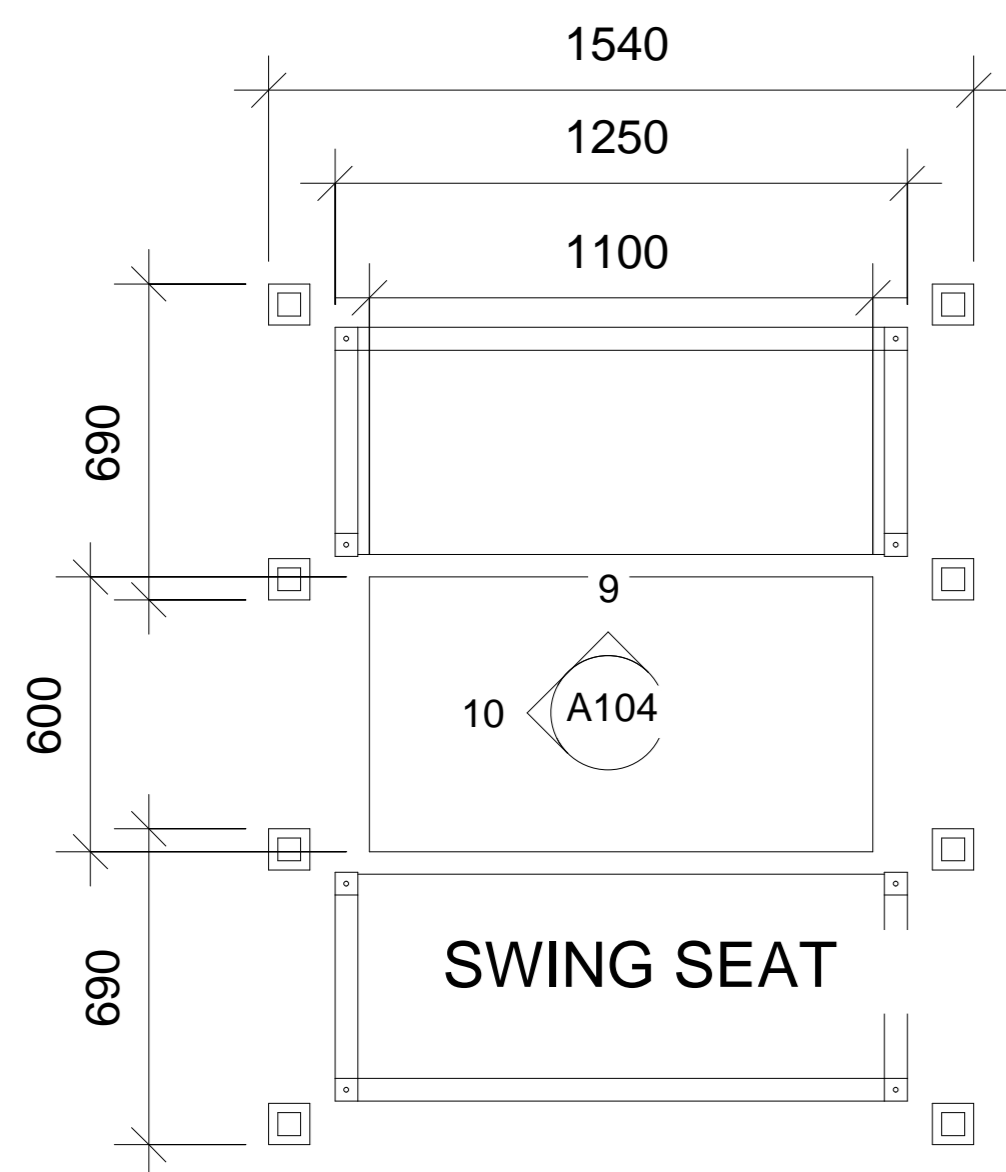


8 TOILET SECTION 1
1 : 50

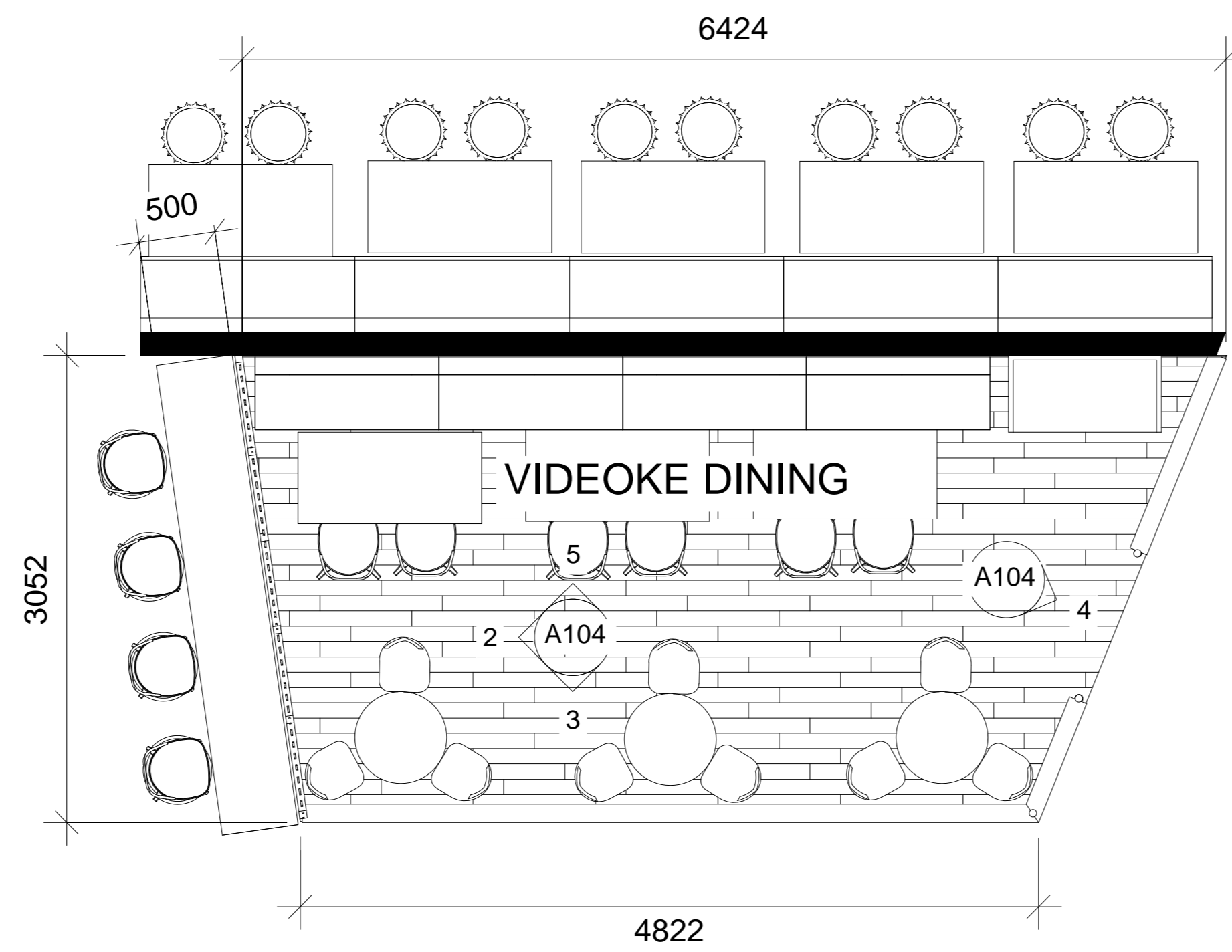


9 TOILET SECTION 2
1 : 50

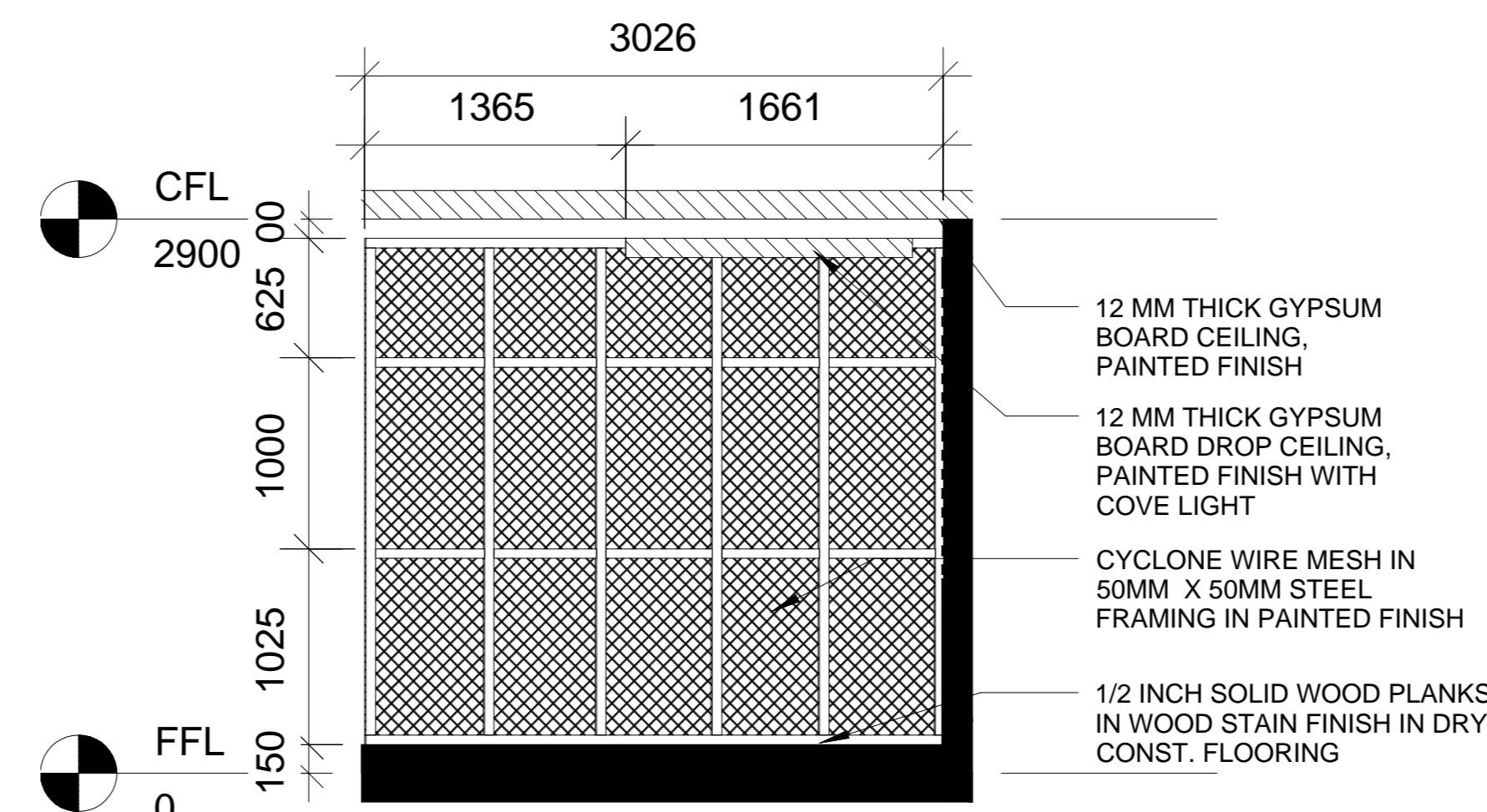
<p>All drawings are representations of professional services and are intellectual properties of</p> <p>These shall not be reproduced without any written agreement with the company.</p> <p>REPUBLIC ACT 9266</p>	ARCHITECT	PROJECT / LOCATION	SHEET CONTENTS	CAD BY	SHEET NO.
		PROPOSED TAMBAYAN NI PEDRO (SM City Manila)	FLOOR PLAN & PERSPECTIVES	Author	A101
	I.A.P.O.A. NO.:	OWNER		DESIGNED BY: RODRENZ	
	P.R.C. NO.:			Designer: RODRENZ	
P.T.R. NO.:			CHECKED BY:		
	DATE ISSUED:			Checker	
	VALIDITY:				
	DATE ISSUED:				
	T.I.N.:				



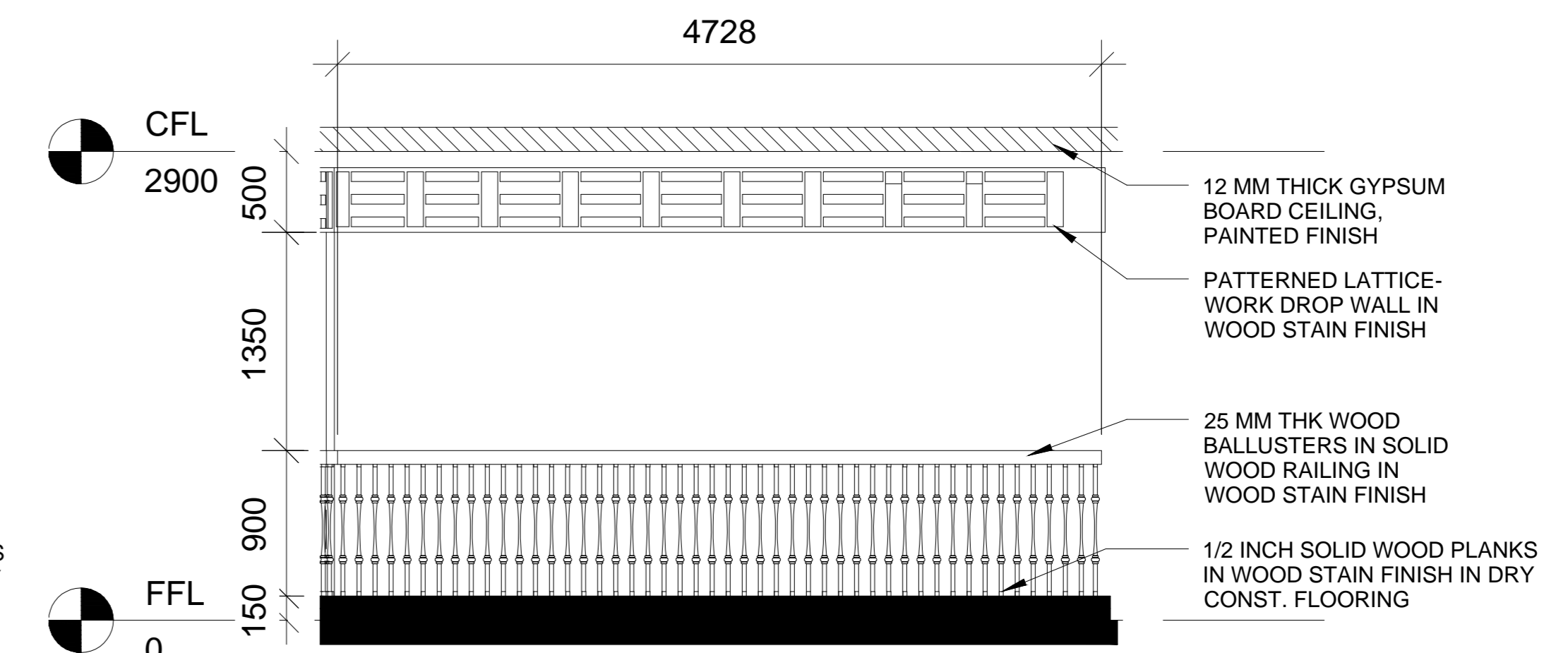
8 SWING SEAT BLOW-UP PLAN
1 : 25



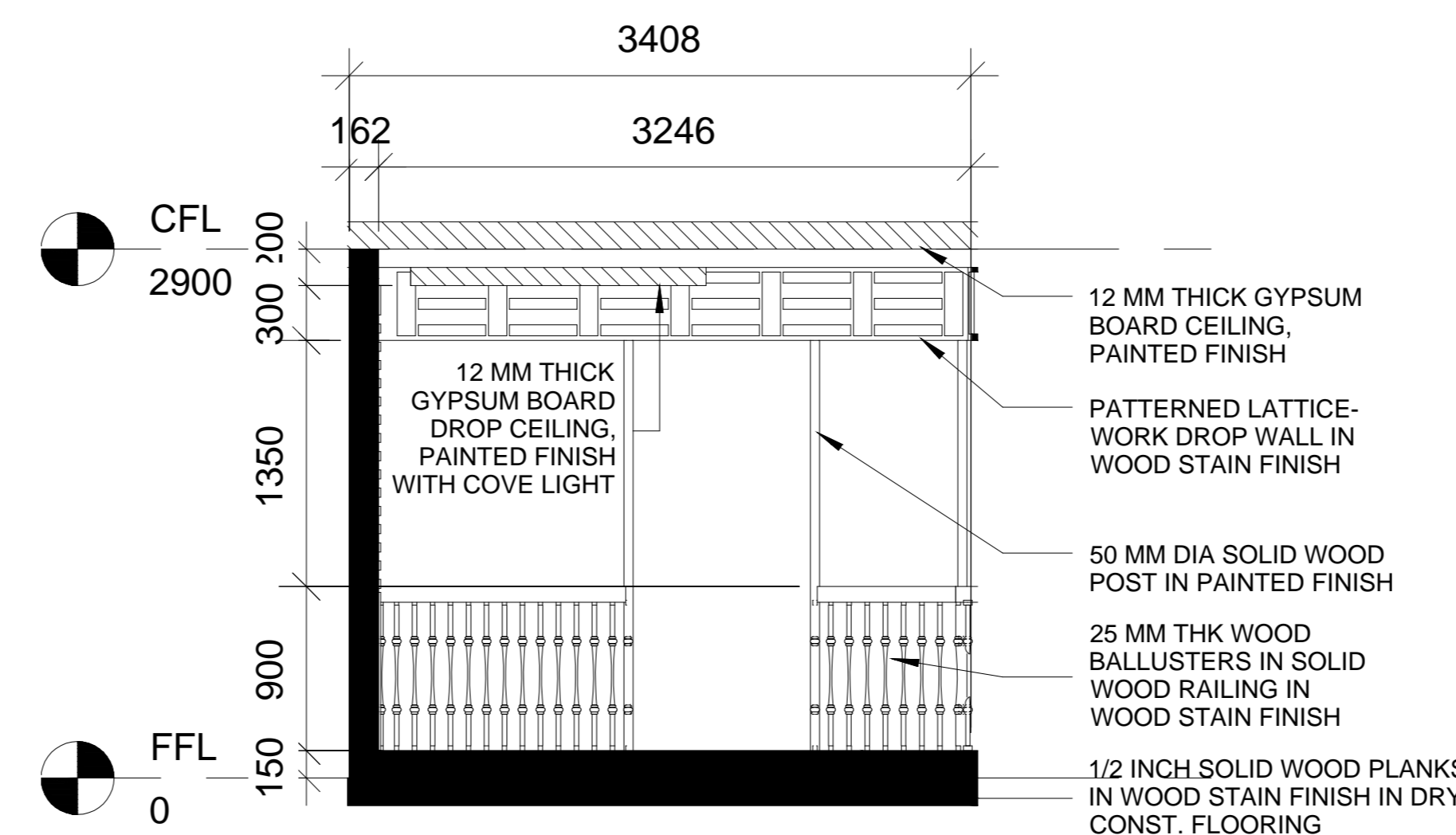
1 VIDEOKE BLOW-UP PLAN
1 : 50



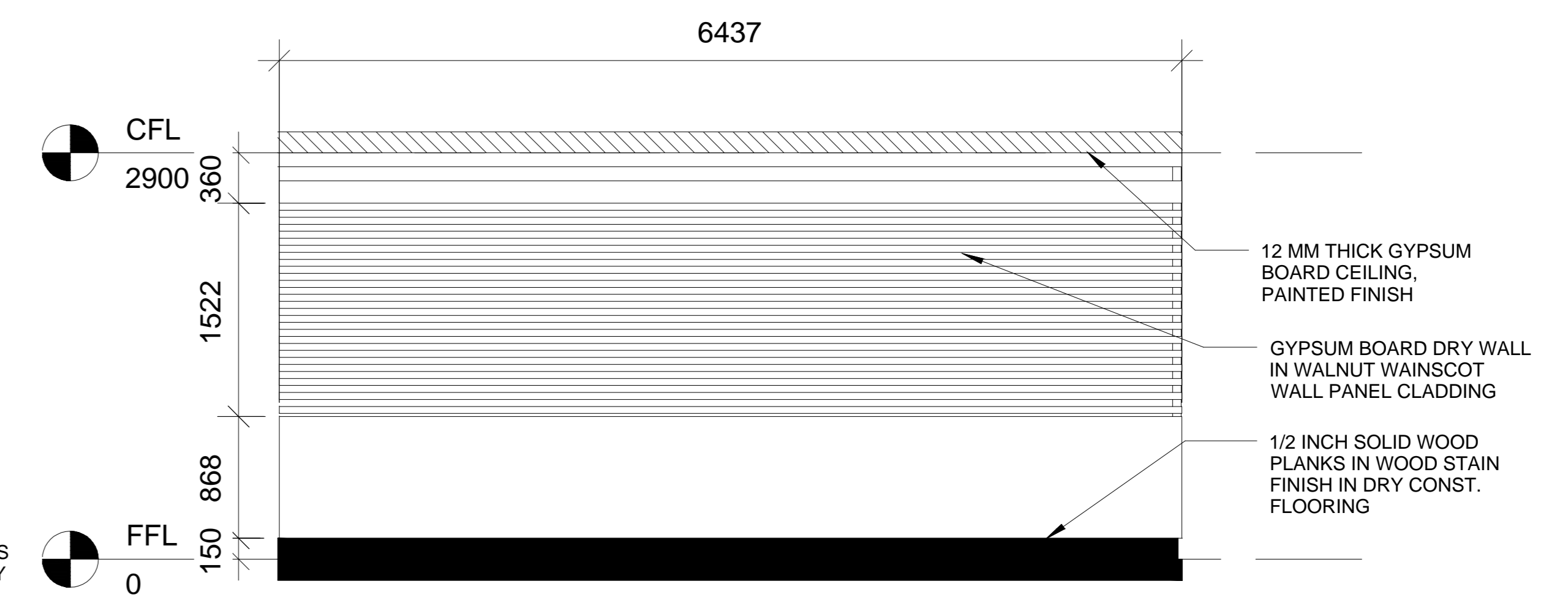
2 VIDEOKE ELEV A
1 : 50



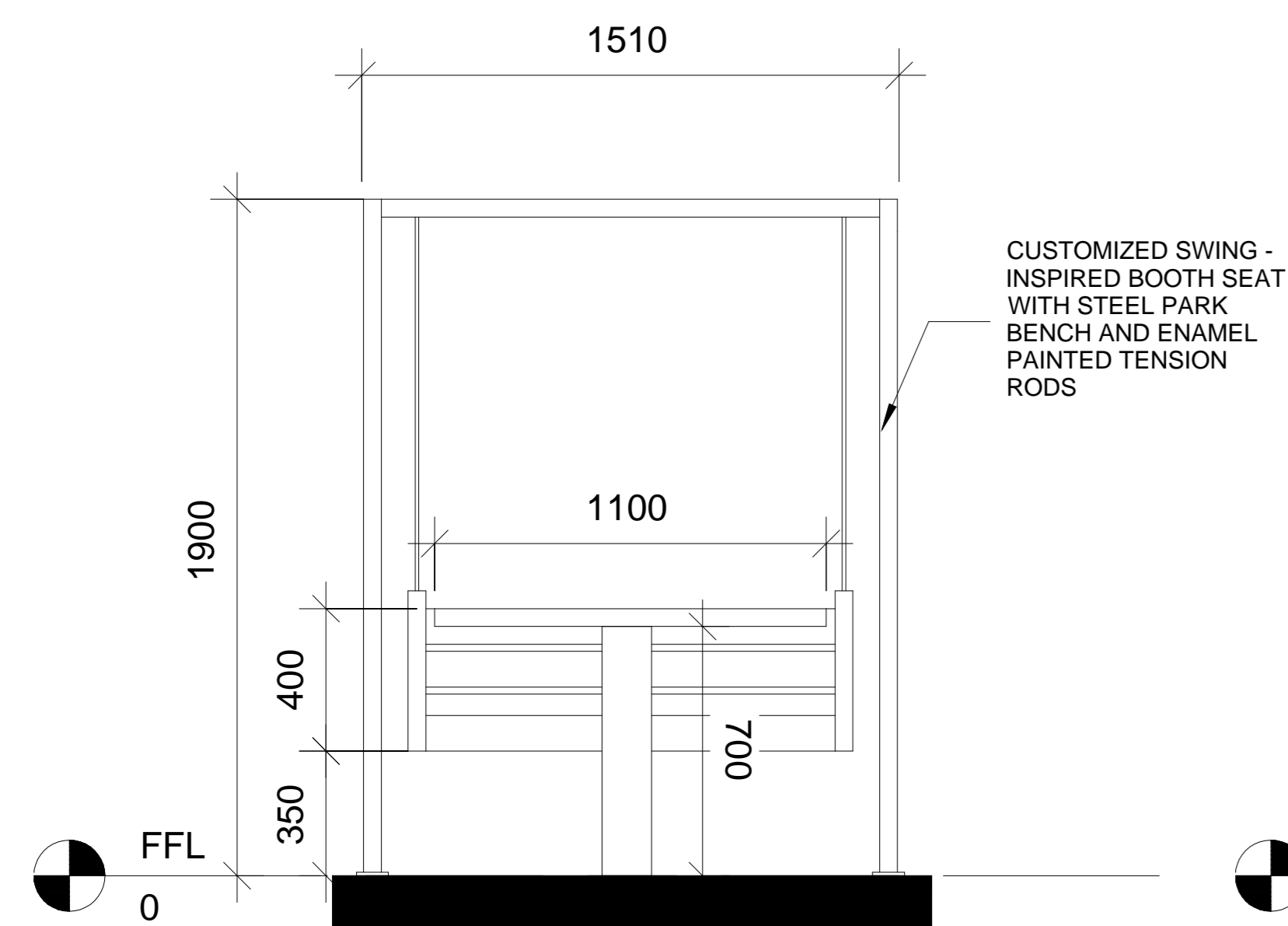
3 VIDEOKE ELEV B
1 : 50



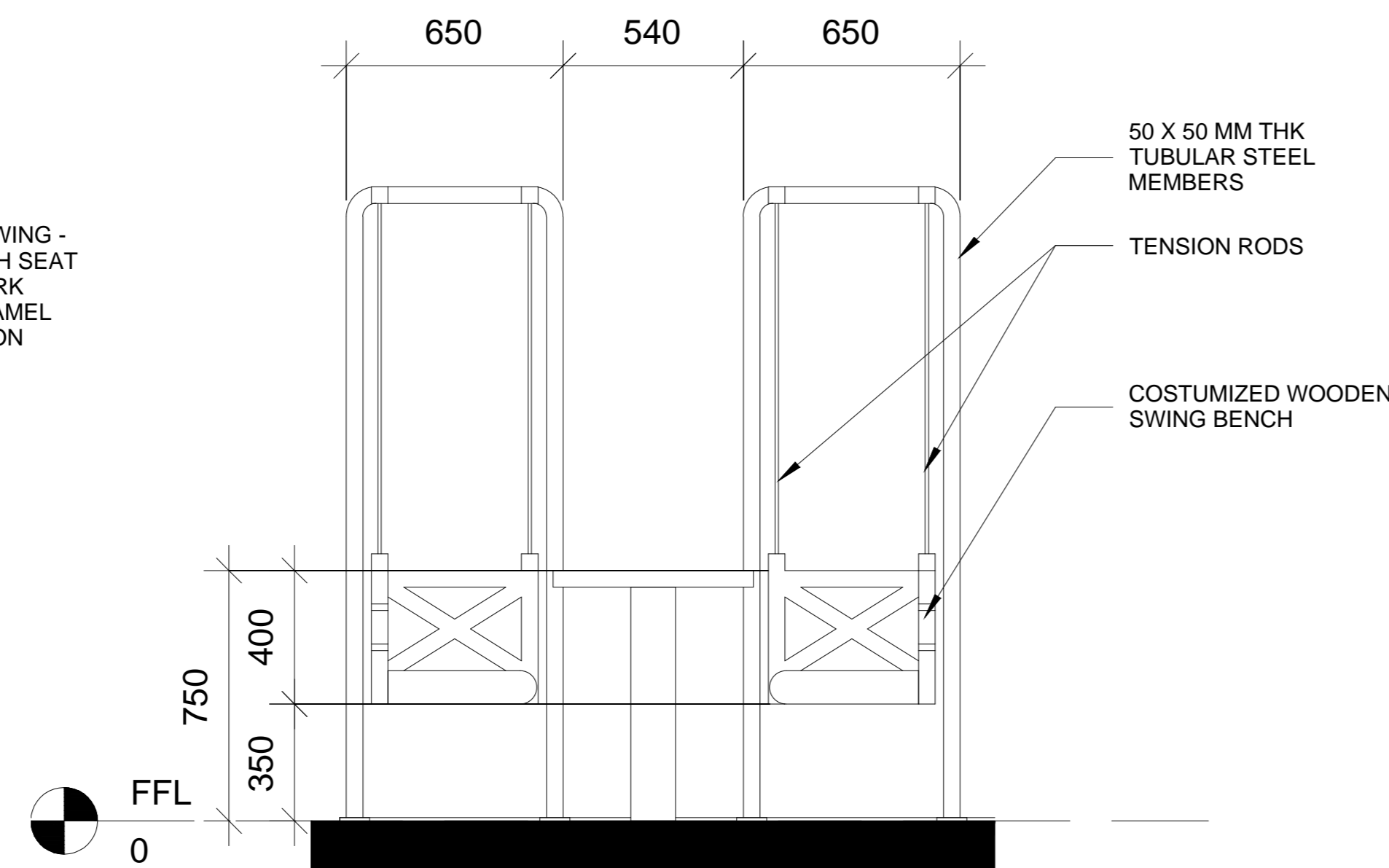
4 VIDEOKE ELEV C
1 : 50



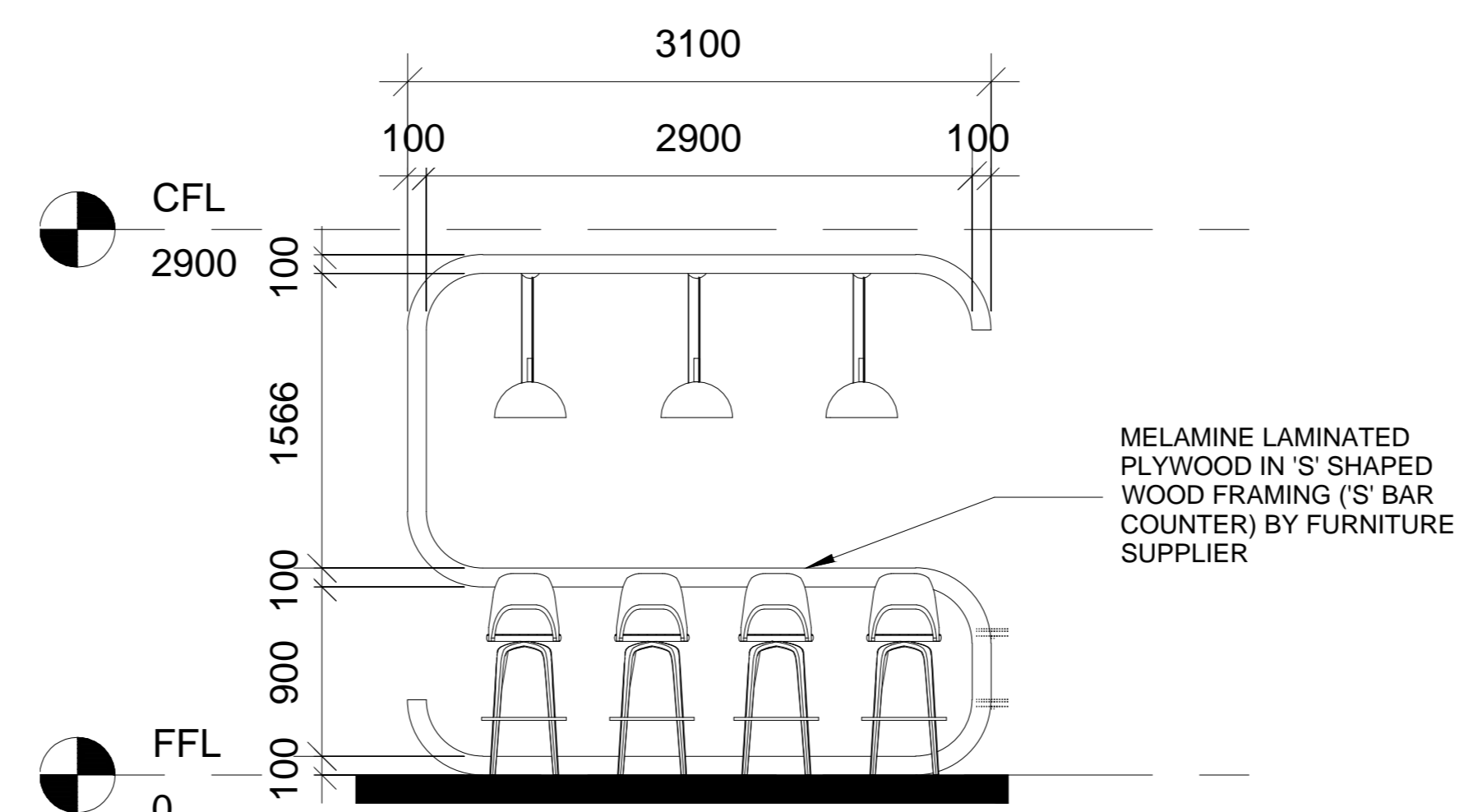
5 VIDEOKE ELEV D
1 : 50



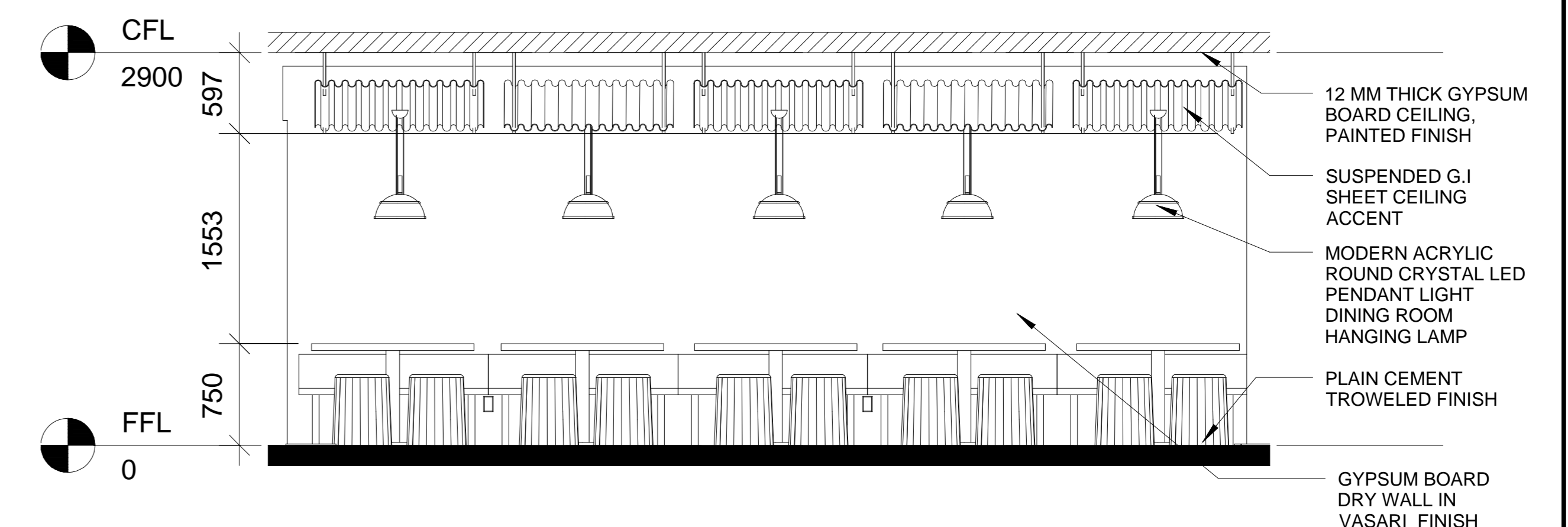
9 SWING SEAT ELEV A
1 : 25



10 SWING SEAT ELEV B
1 : 25



7 S BOOTH
1 : 50



6 VIDEOKE BACK WALL ELEV
1 : 50

All drawings are representations of professional services and are intellectual properties of
These shall not be reproduced without any written agreement with the company.
REPUBLIC ACT 9266

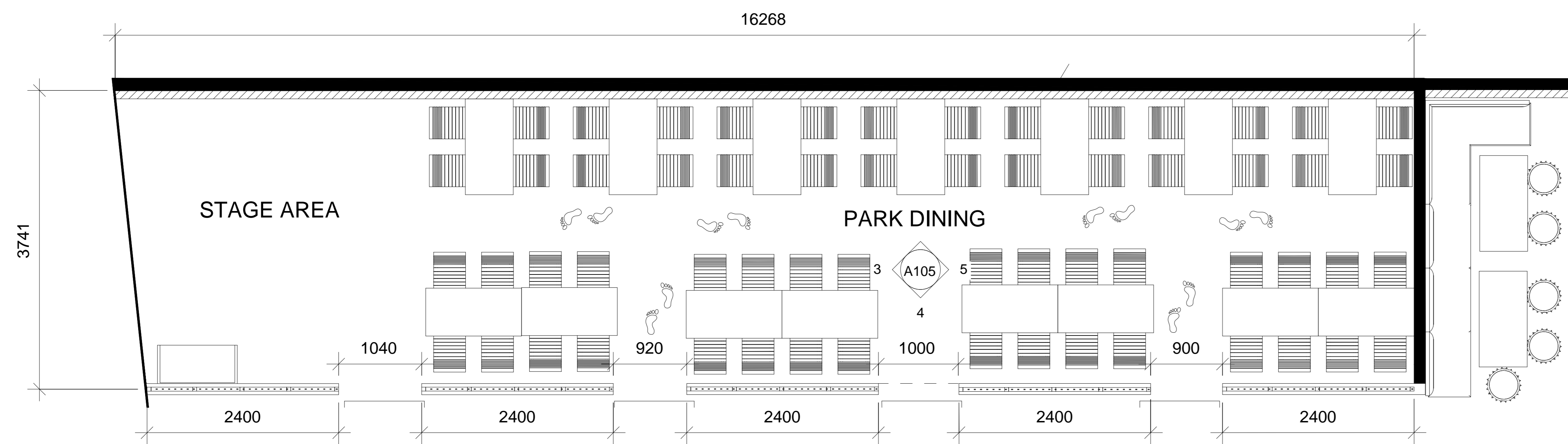
ARCHITECT	
IAPOA NO.:	DATE ISSUED:
P.R.C. NO.:	VALIDITY:
P.T.R. NO.:	DATE ISSUED:
PLACE ISSUED:	T.I.N.:

PROJECT / LOCATION	
PROPOSED TAMBAYAN NI PEDRO (SM City Manila)	
OWNER	

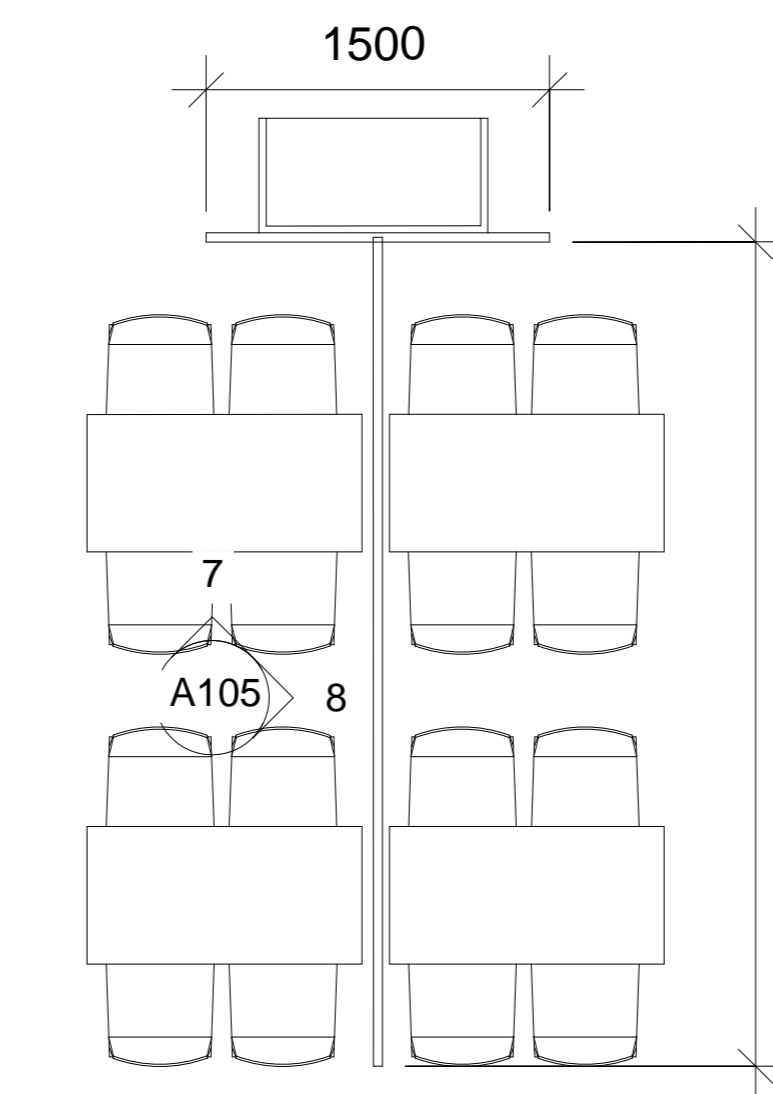
SHEET CONTENTS	
FLOOR PLAN & PERSPECTIVES	ETAIL

CAD BY	
Author	RODBRENZ
Designer	RODBRENZ
Checked by	
Checker	

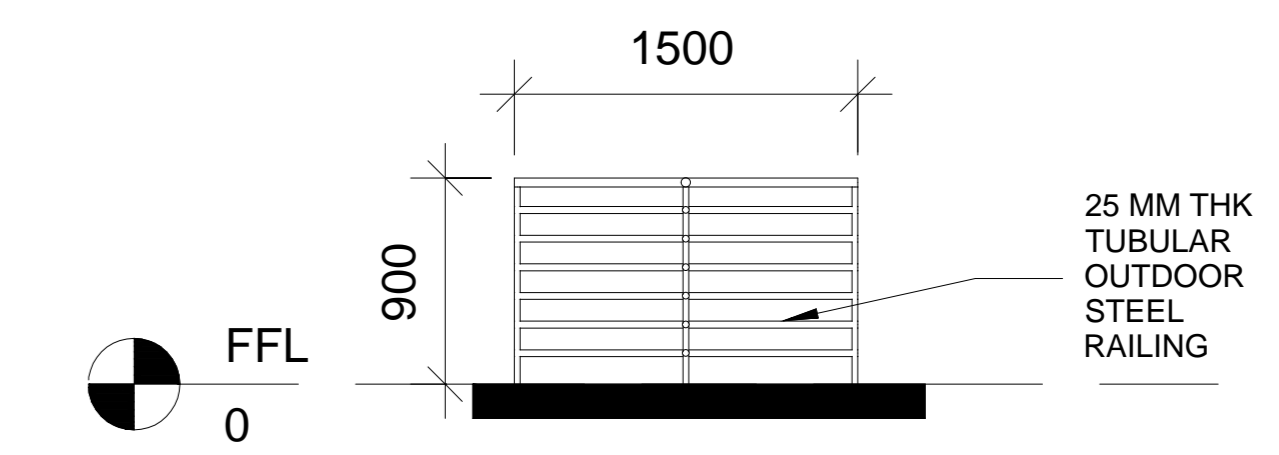
SHEET NO.	
A101	



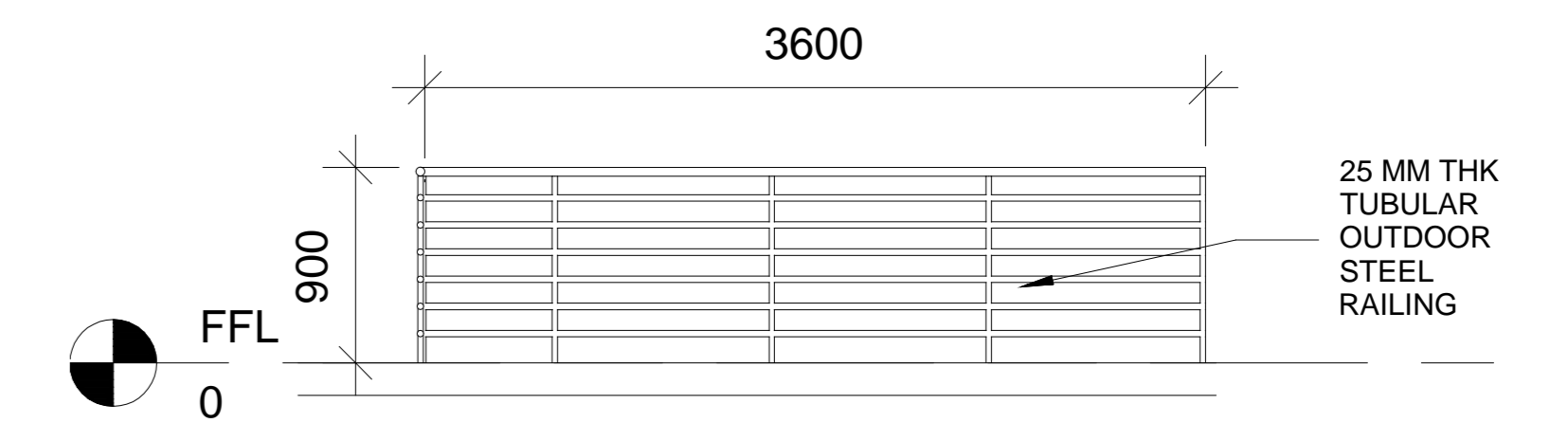
1 PARK DINING BLOW-UP PLAN
1 : 50



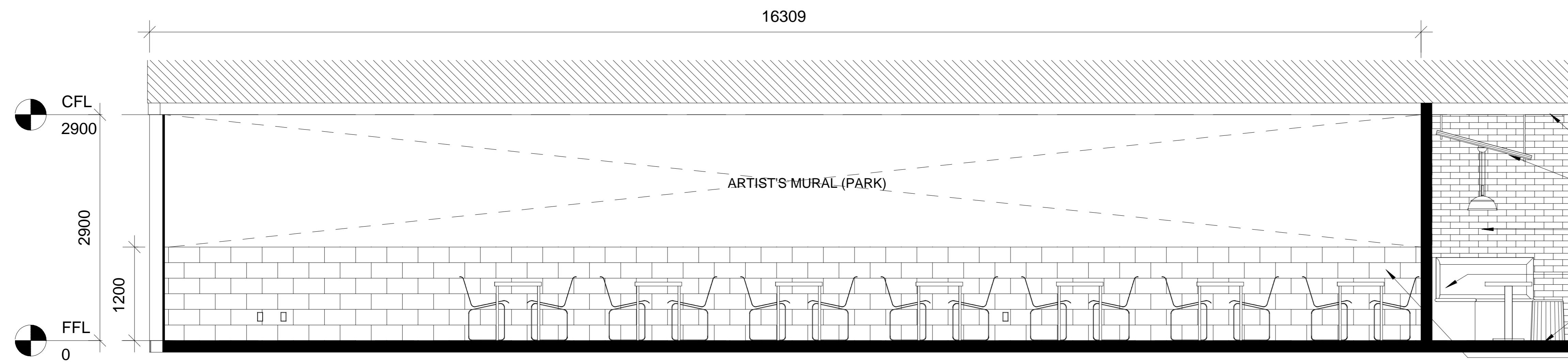
6 RAILING BLOW-UP DETAIL
1 : 50



7 RAILING ELEV A
1 : 50

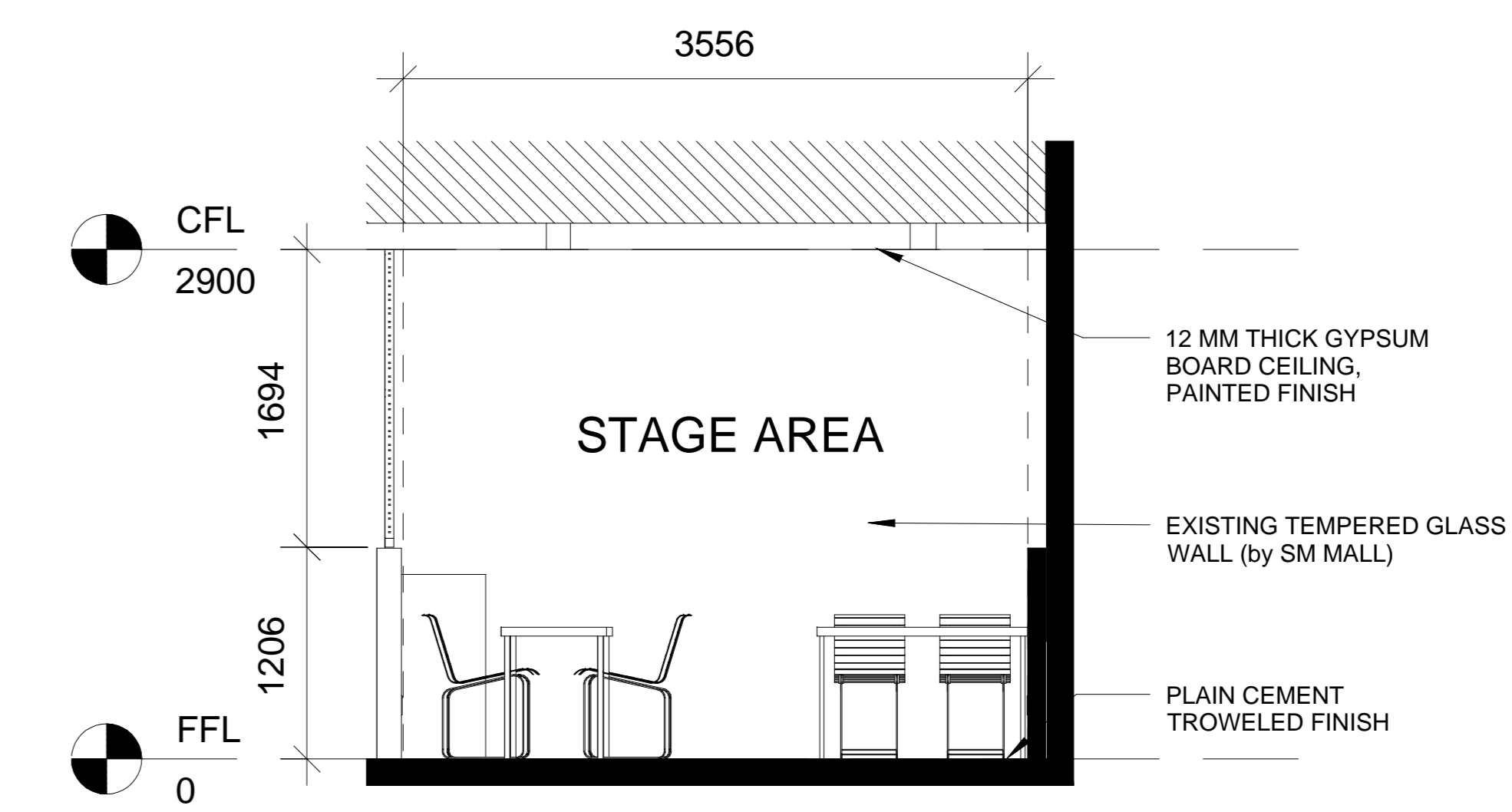


8 RAILING ELEV B
1 : 50

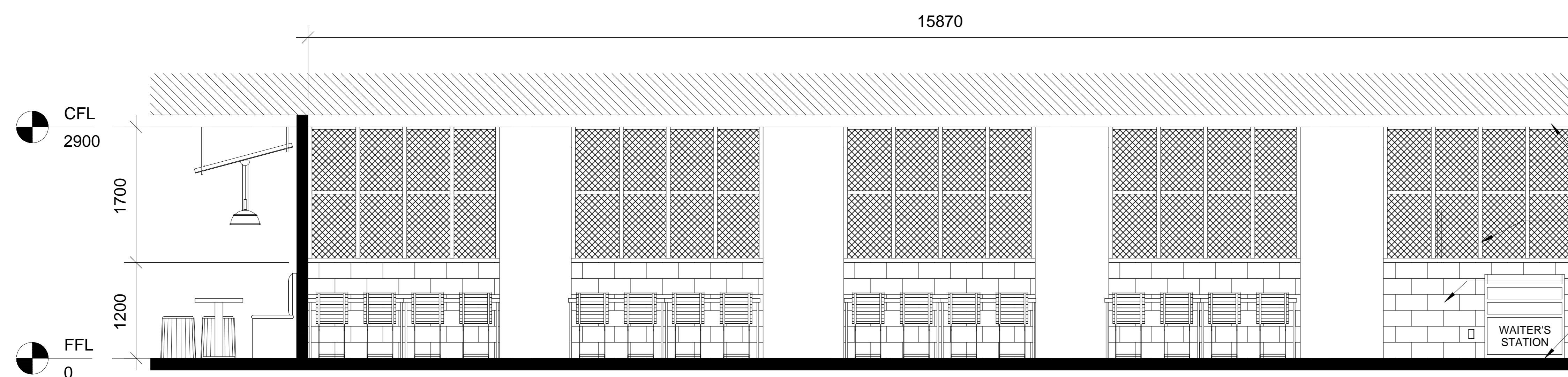


2 PARK ELEV A
1 : 50

- 12 MM THICK GYPSUM BOARD CEILING, PAINTED FINISH
- SUSPENDED G.I SHEET CEILING ACCENT
- 1/2 THK FAUX BRICK PLYWOOD PATTERN FINISH IN GYPSUM BOARD DRY WALL
- WOODEN BOOTH SEATS WITH FOAM PADDED SEATING & BACK REST
- PLAIN CEMENT TROWELED FINISH
- 1/2 THK FAUX HOLLOW BLOCK PLYWOOD PATTERN FINISH IN GYPSUM BOARD DRY WALL

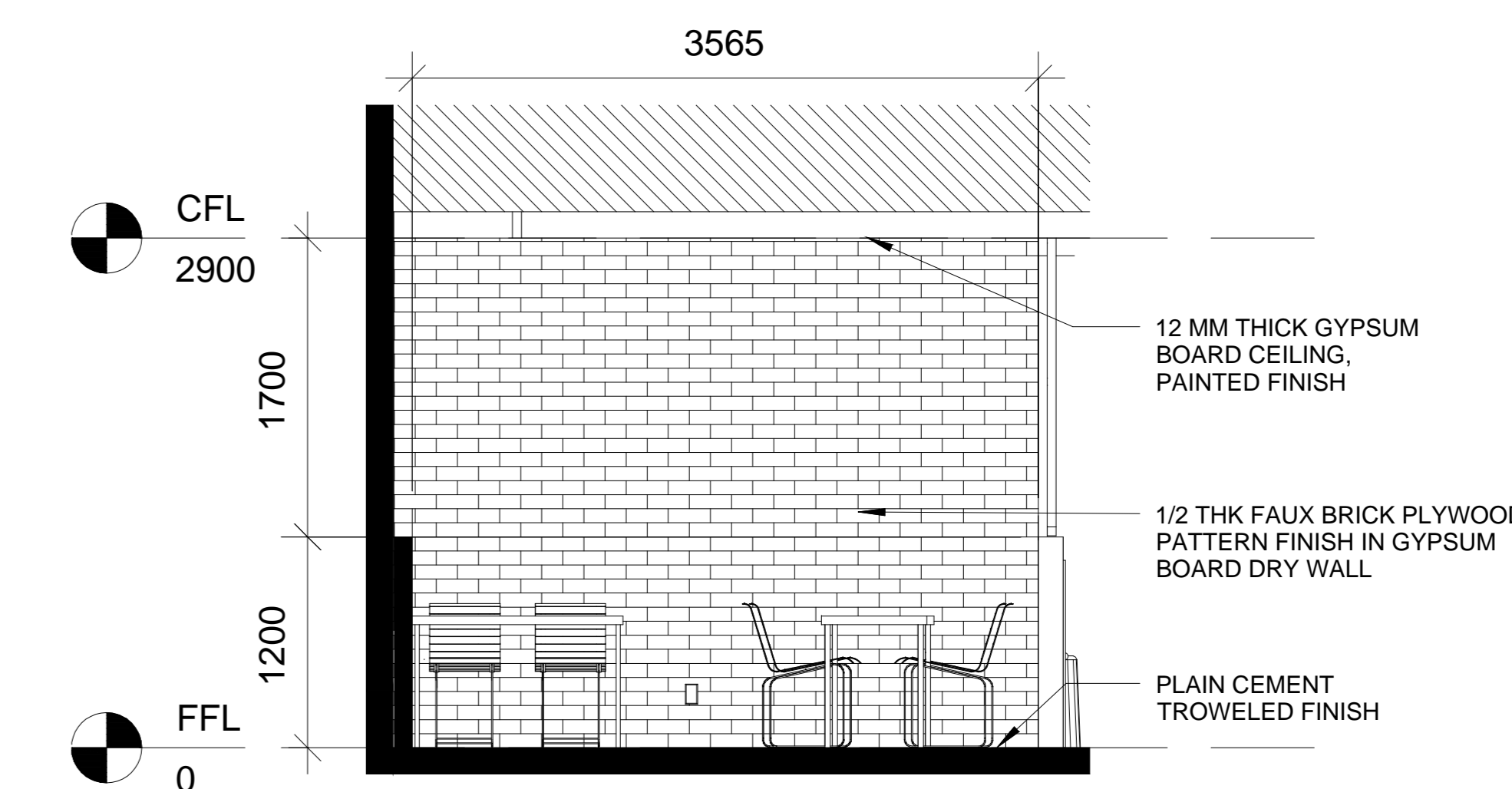


3 PARK ELEV B
1 : 50



4 PARK ELEV C
1 : 50

- 12 MM THICK GYPSUM BOARD CEILING, PAINTED FINISH
- CYCLONE WIRE MESH IN 50MM X 50MM STEEL FRAMING IN PAINTED FINISH
- 1/2 THK PLYWOOD IN FAUX HOLLOW BLOCK FINISH
- PLAIN CEMENT TROWELED FINISH



5 PARK ELEV D
1 : 50

All drawings are representations of professional services and are intellectual properties of
These shall not be reproduced without any written agreement with the company.
REPUBLIC ACT 9266

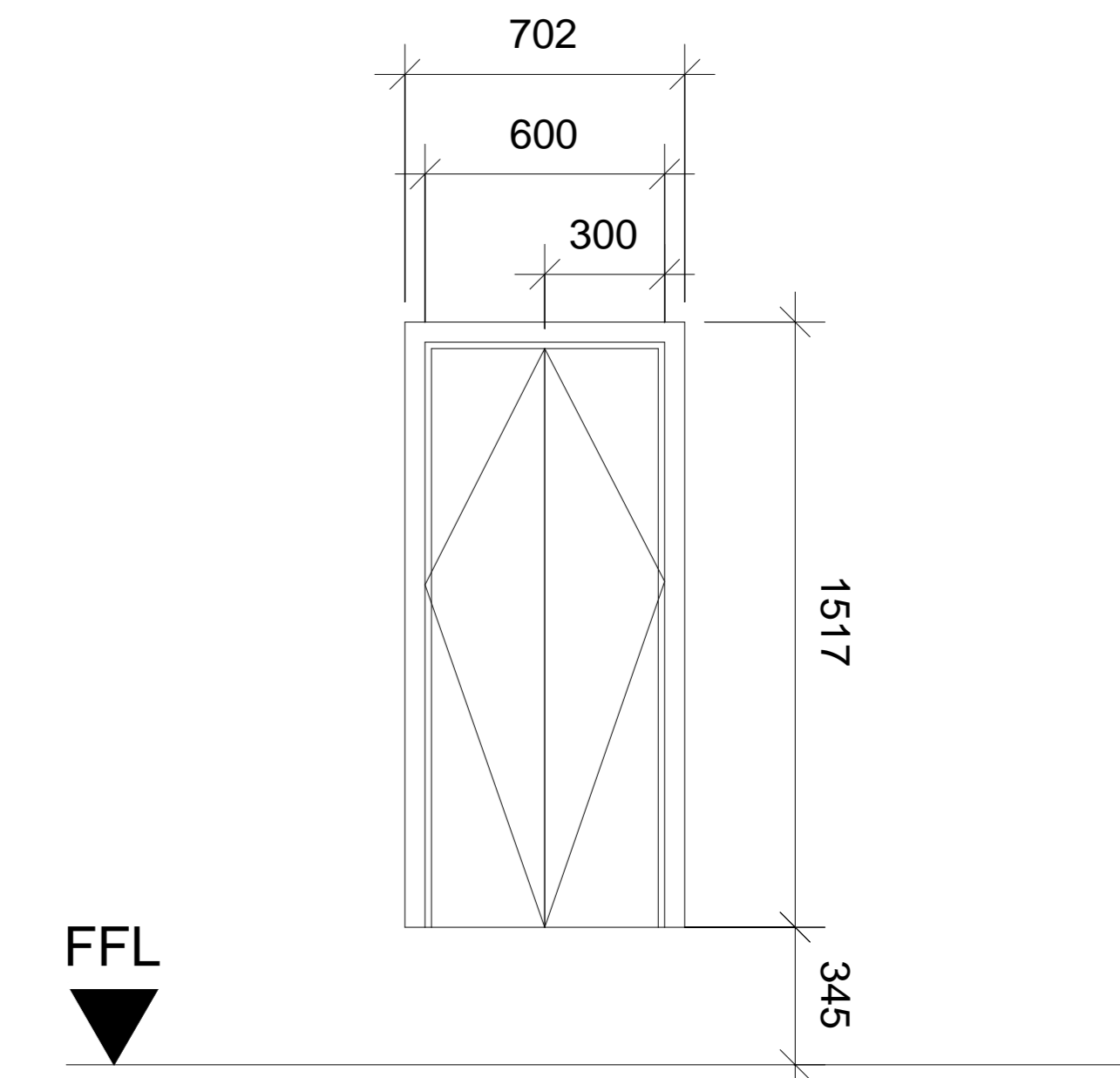
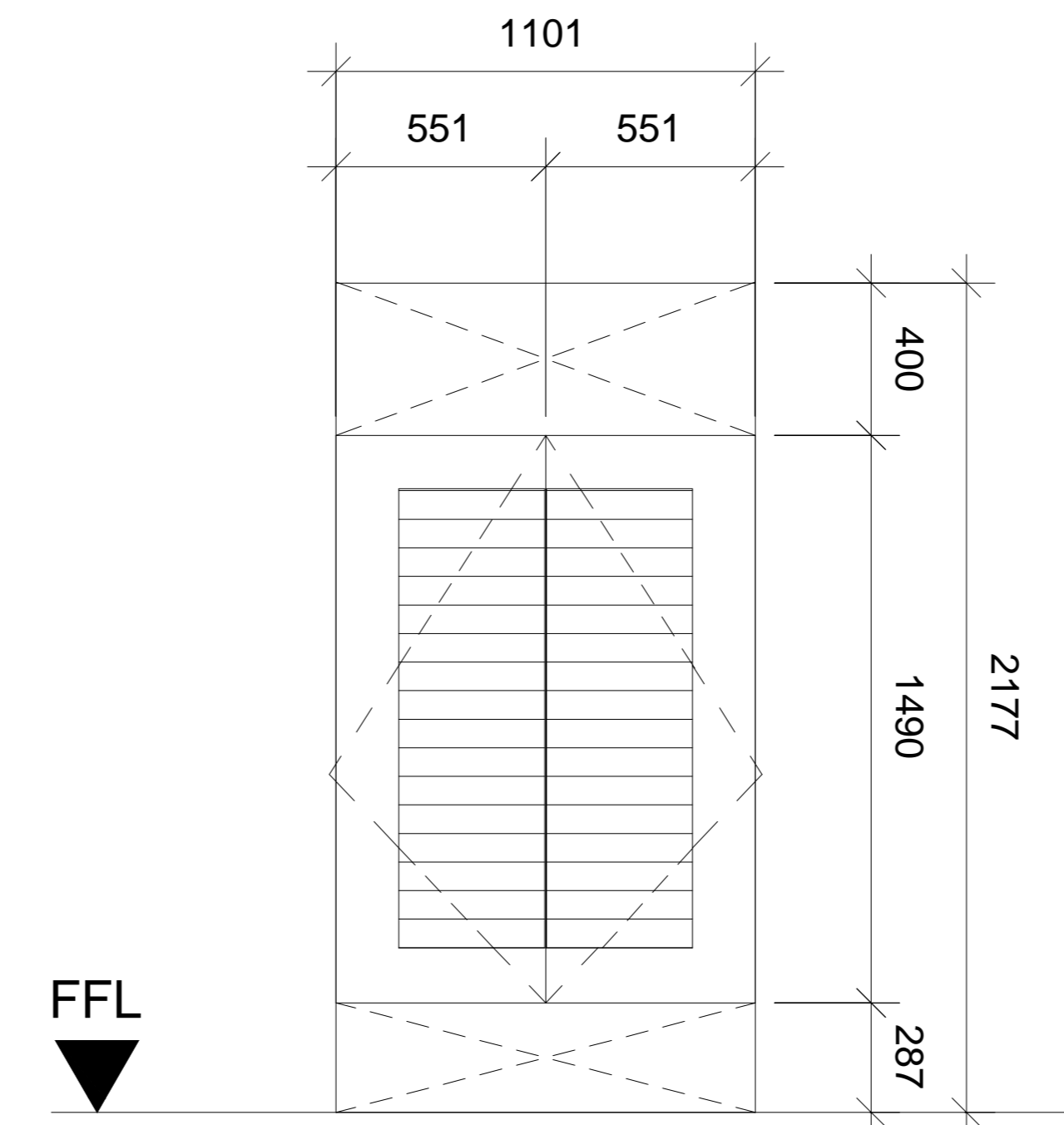
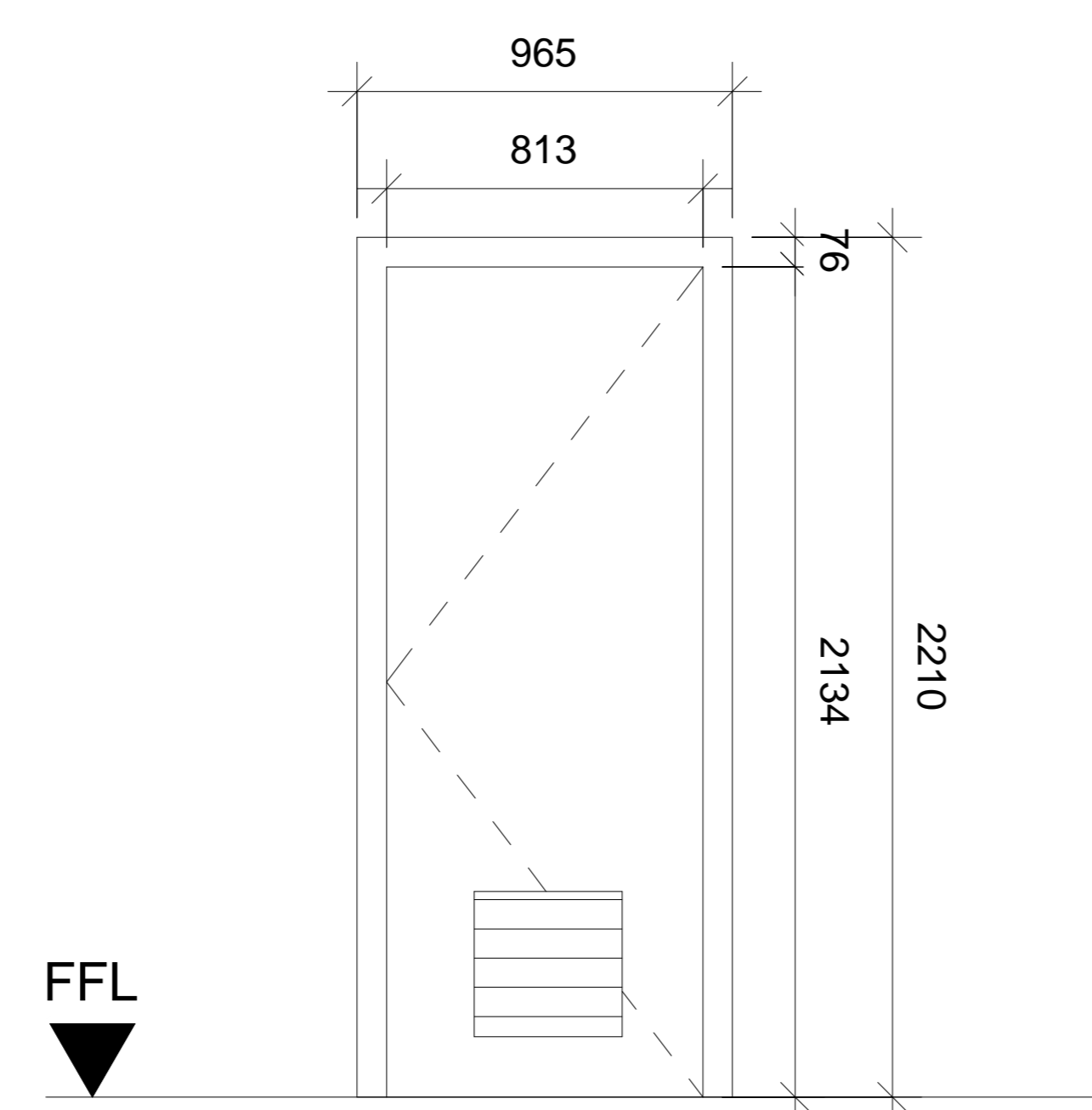
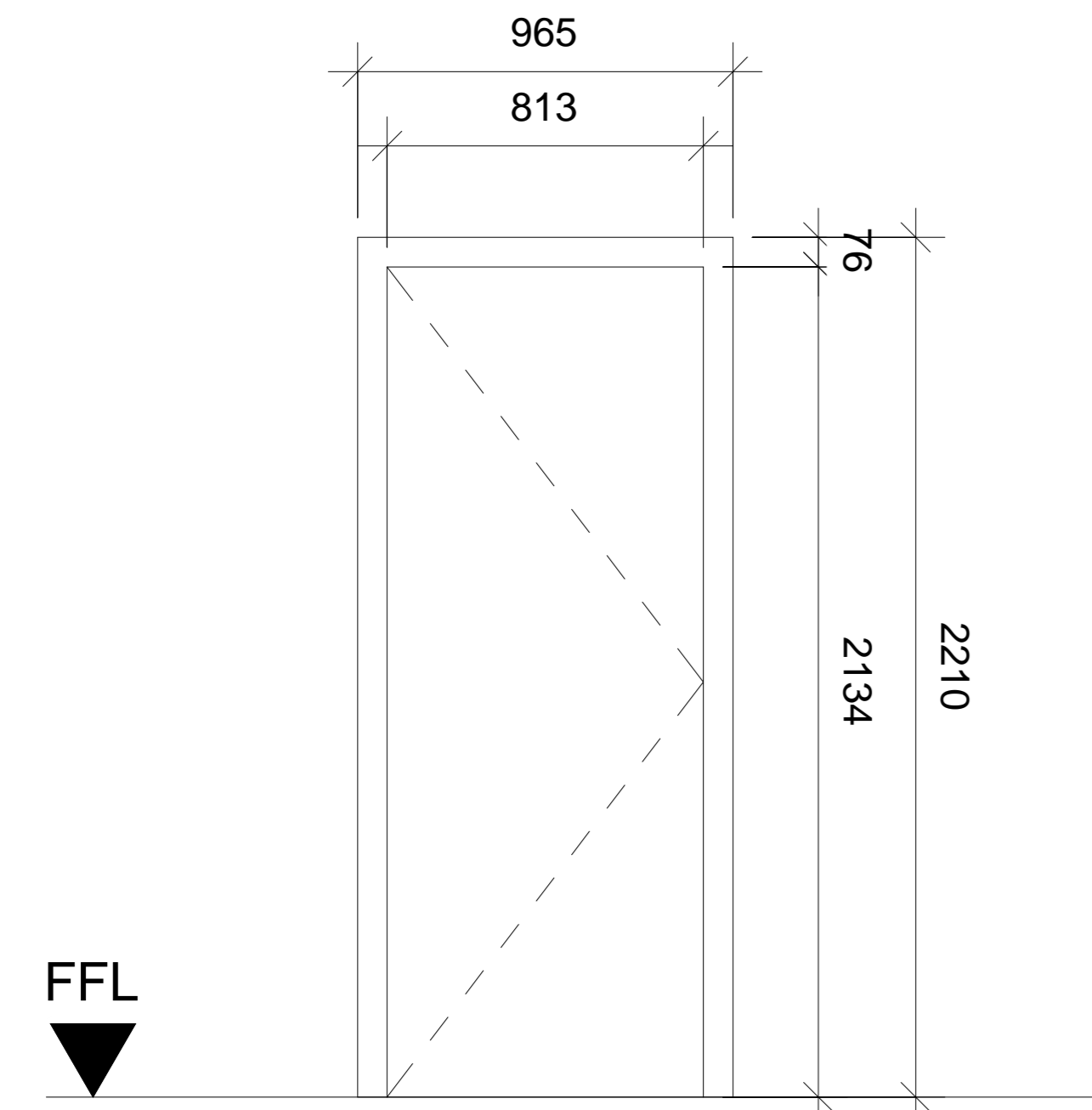
ARCHITECT	
IAPOA NO.:	DATE ISSUED:
P.R.C. NO.:	VALIDITY:
P.T.R. NO.:	DATE ISSUED:
PLACE ISSUED:	T.I.N.:

PROJECT / LOCATION	
PROPOSED TAMBAYAN NI PEDRO (SM City Manila)	
OWNER	

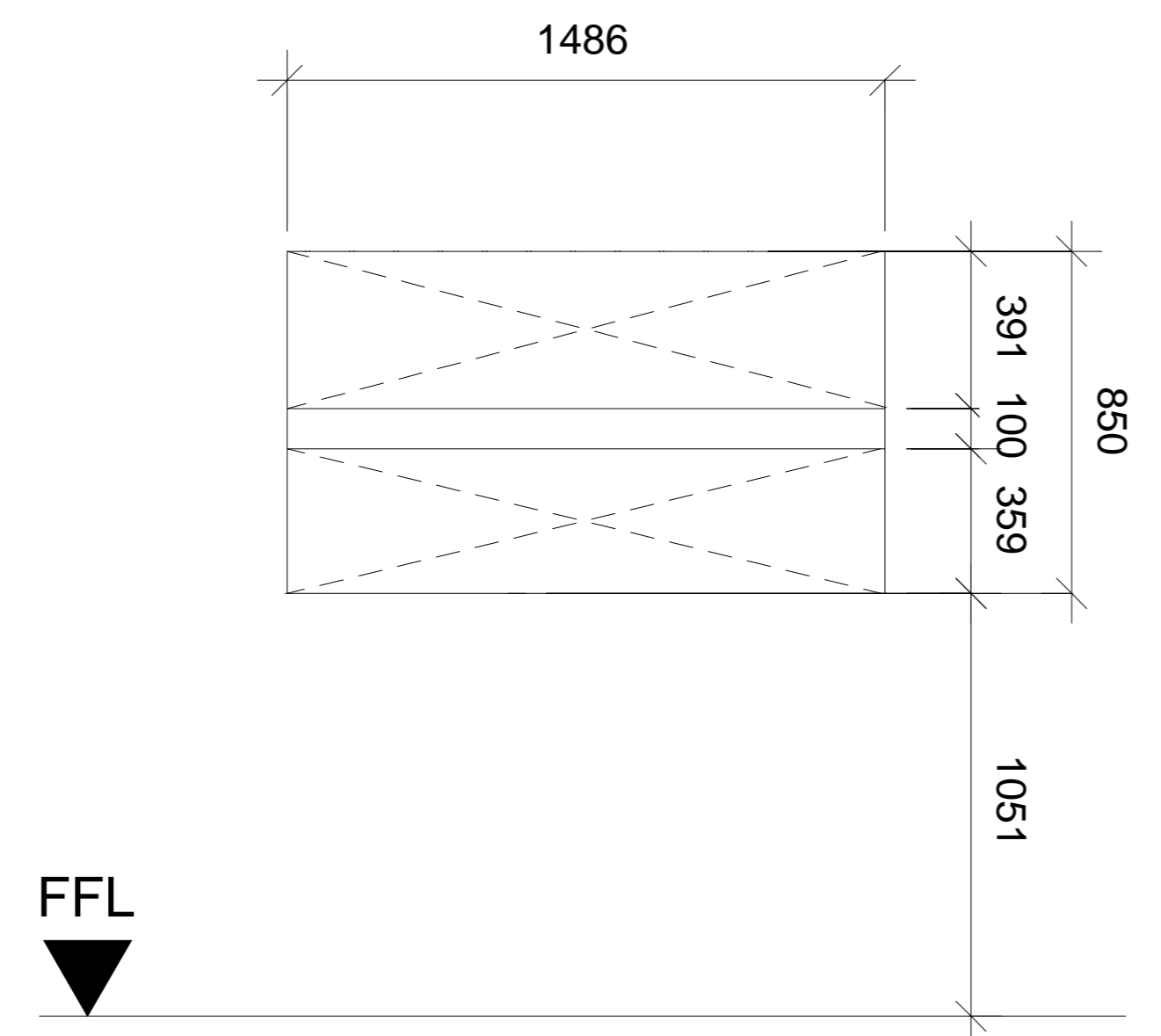
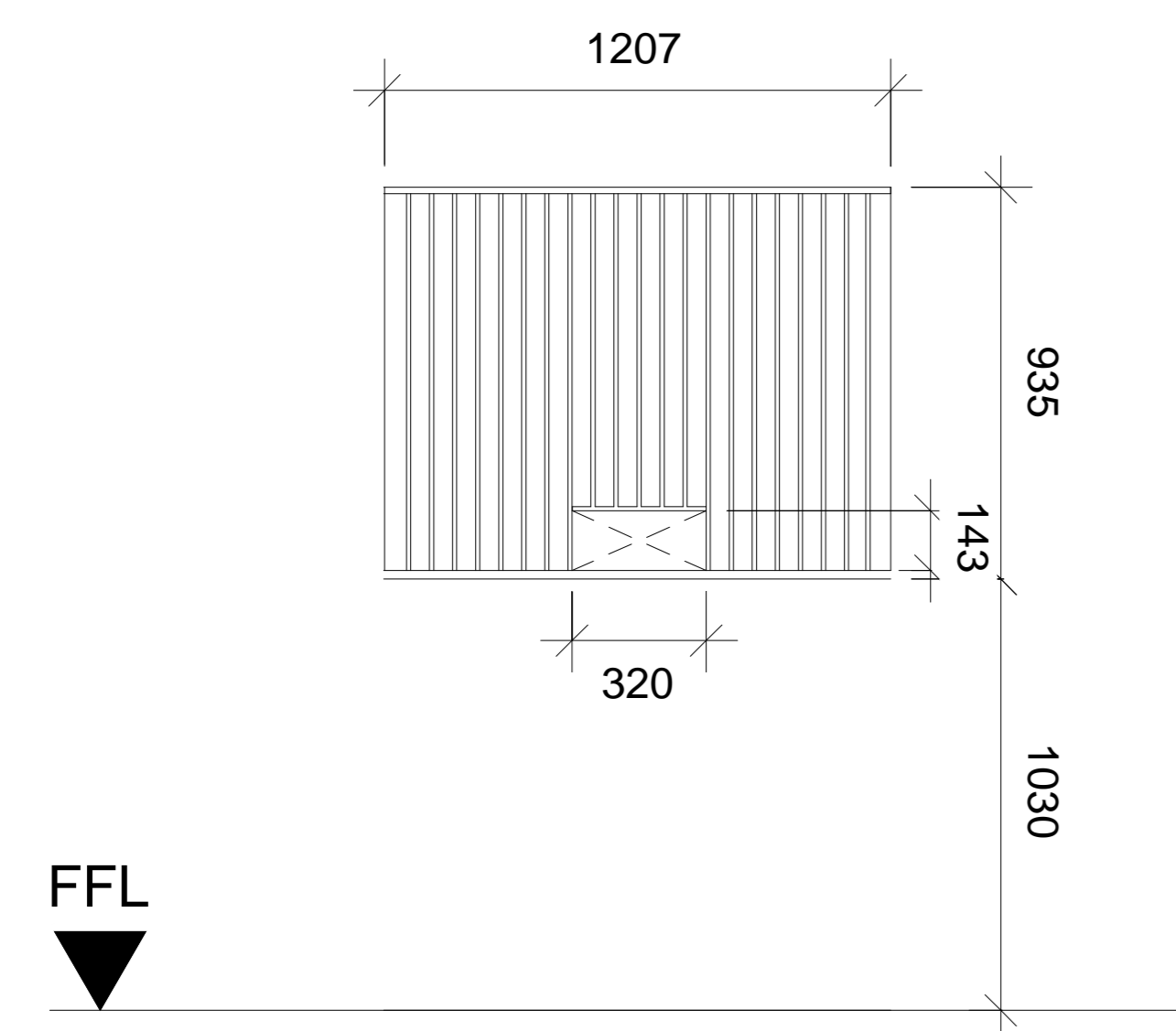
SHEET CONTENTS	
FLOOR PLAN & PERSPECTIVES	

CAD BY	
Author	
DESIGNED BY	RODBRENZ
Designer	RODBRENZ
CHECKED BY	
Checker	

SHEET NO.
A101



TYPE	FLUSH DOOR	TYPE	FLUSH DOOR	TYPE	FLUSH DOOR	TYPE	FLUSH DOOR
D 1	HOLLOW-CORE FLUSH SINGLE-SWING WOOD DOOR WITH ORDINARY PLYWOOD PANELS IN WOOD STAIN FINISH	D 2	PVC FLUSH SINGLE-SWING WOOD DOOR	D 3	HOLLOW-CORE LOUVERED DOUBLE SWING DOUBLE ACTING SALOON DOOR	D 4	WOOD FRAME DOUBLE SWING DOOR IN WOOD STAIN FINISH
SPECIFICATIONS		SPECIFICATIONS		SPECIFICATIONS		SPECIFICATIONS	
QUANTITY	2 SETS	QUANTITY	1 SET	QUANTITY	1 SET	QUANTITY	1 SET
LOCATION	OFFICE & STORAGE	LOCATION	RESTROOM	LOCATION	KITCHEN	LOCATION	SLOP SINK



TYPE	WALL OPENING	TYPE	WALL OPENING
W 1	OPENING WITH 1/2 INCH EPOXY PAINTED SQUARE VERTICAL STEELBARS	W 2	DISPATCH PASS THROUGH WINDOW WITH STEEL TRIM AND COUNTER
SPECIFICATIONS		SPECIFICATIONS	
QUANTITY	1 SET	QUANTITY	1 SET
LOCATION	KITCHEN	LOCATION	KITCHEN

All drawings are representations of professional services and are intellectual properties of These shall not be reproduced without any written agreement with the company. REPUBLIC ACT 9266	ARCHITECT _____ I.A.P.O.A. NO.: _____ DATE ISSUED: _____ P.R.C. NO.: _____ VALIDITY: _____ P.T.R. NO.: _____ DATE ISSUED: _____ PLACE ISSUED: _____ T.I.N.: _____	PROJECT / LOCATION PROPOSED TAMBAYAN NI PEDRO (SM City Manila) OWNER: _____	SHEET CONTENTS FLOOR PLAN & PERSPECTIVES	CAD BY Author DESIGNED BY: RODBRENZ Designer: RODBRENZ CHECKED BY Checker	SHEET NO. A101
--	--	--	---	--	--------------------------