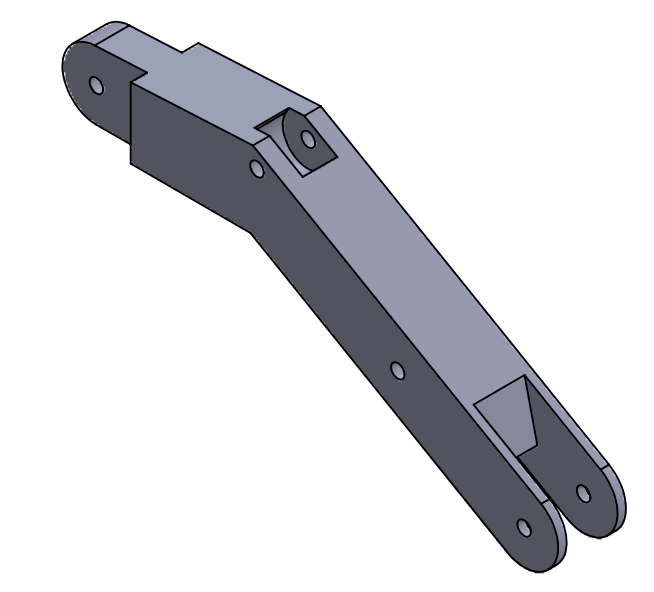
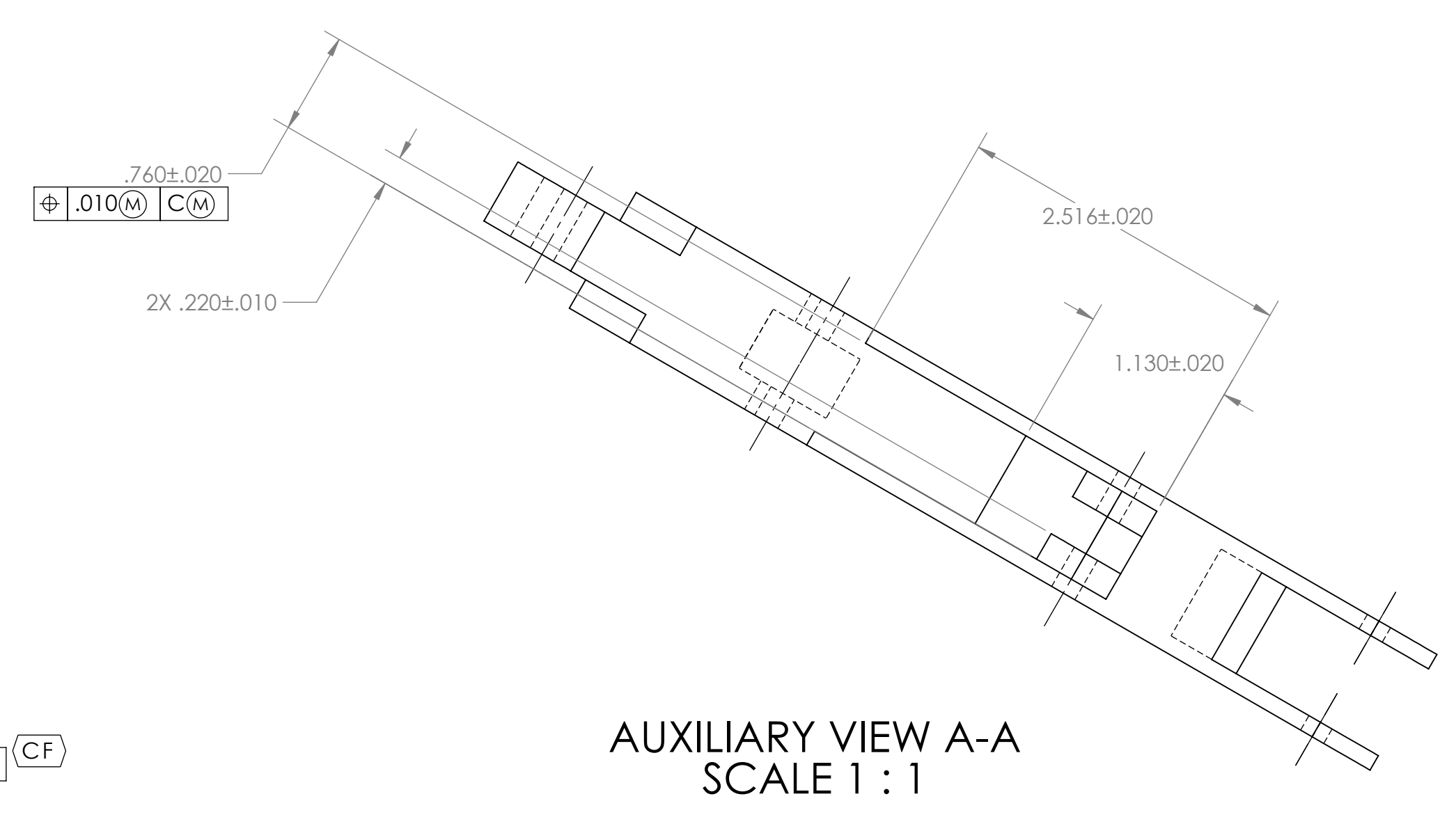
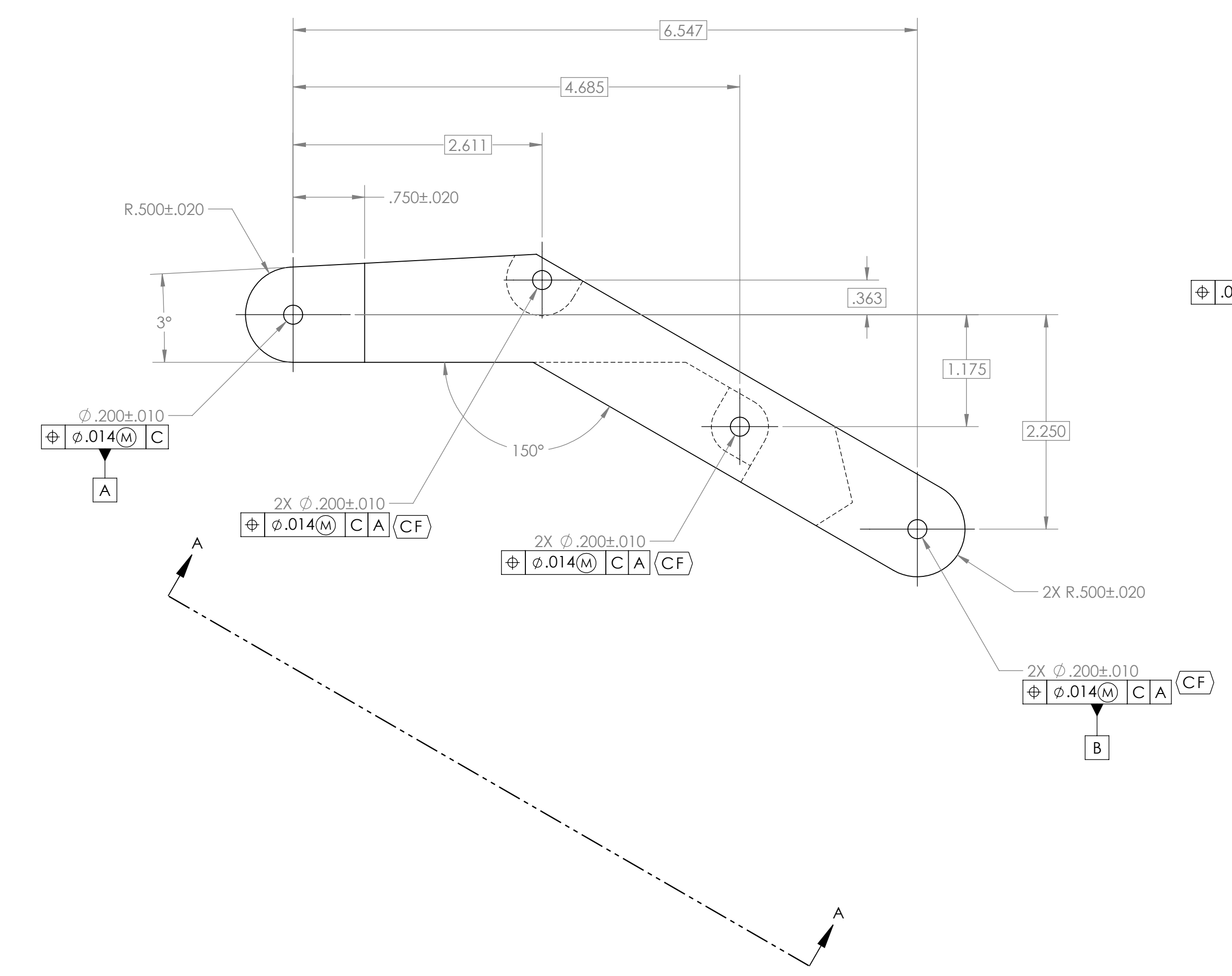
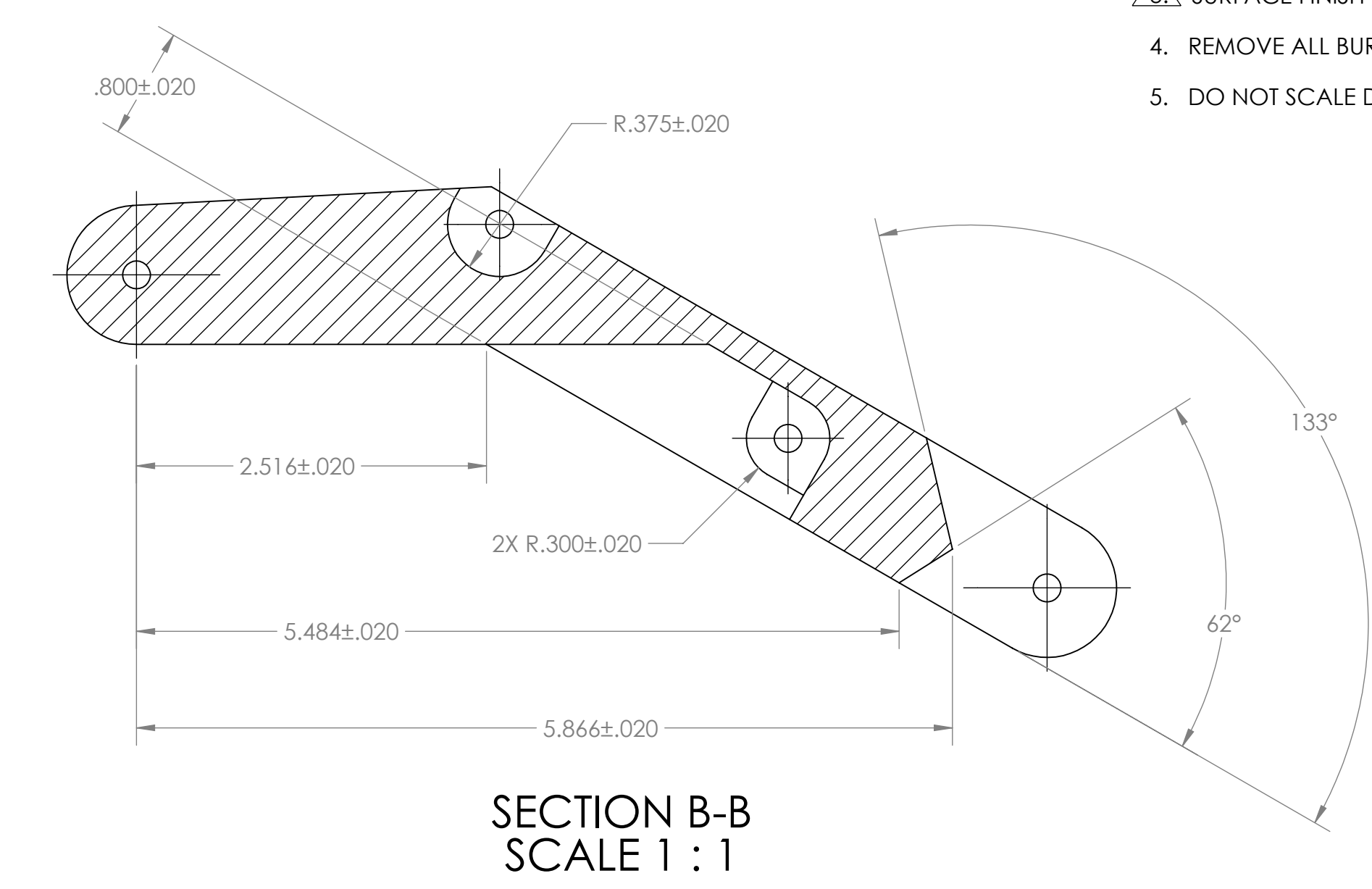
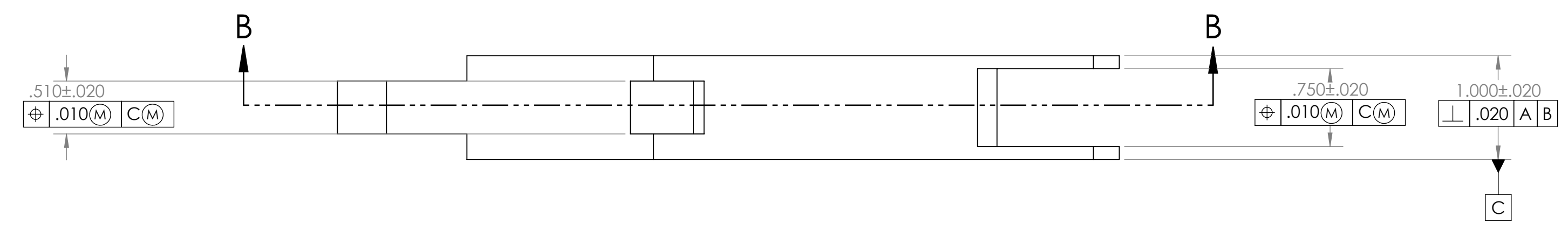


CAD MAINTAINED.  
CHANGES SHALL BE  
INCORPORATED BY  
THE DESIGN  
ACTIVITY.

REVISIONS				
ZONE	REV.	DESCRIPTION	DATE	APPROVED

- NOTES: UNLESS OTHERWISE SPECIFIED:**
- INTERPRET DRAWING IN ACCORDANCE WITH INDUSTRY STANDARDS PERSCRIBED BY ASME Y.14.5-2018 AND MILL-T-31000.
  - MATERIAL: PLA PLASTIC
  - SURFACE FINISH 120
  - REMOVE ALL BURRS AND SHARP EDGES.
  - DO NOT SCALE DRAWING.



**PROPRIETARY AND CONFIDENTIAL**  
THE INFORMATION CONTAINED IN THIS DRAWING IS THE SOLE PROPERTY OF «INSERT COMPANY NAME HERE». ANY REPRODUCTION IN PART OR AS A WHOLE WITHOUT THE WRITTEN PERMISSION OF «INSERT COMPANY NAME HERE» IS PROHIBITED.

UNLESS OTHERWISE SPECIFIED:		NAME	DATE	LWTECH
DIMENSIONS ARE IN INCHES	DRAWN	VELARANCA	06/01/24	
FRACTIONAL: 1/16	CHECKED			CAPSTONE
ANGULAR: MACH ± 25°	ENG APPR.			EXCAVATOR BOOM
TWO PLACE DECIMAL ± .02	MFG APPR.			SIZE DWG. NO. 1 REV -
THREE PLACE DECIMAL ± .010	Q.A.			SCALE: 2:1 WEIGHT: SHEET 1 OF 1
WHERE GEOMETRIC TOLERANCES ARE SPECIFIED:	COMMENTS:			
MATERIAL				
FINISH				
DO NOT SCALE DRAWING				