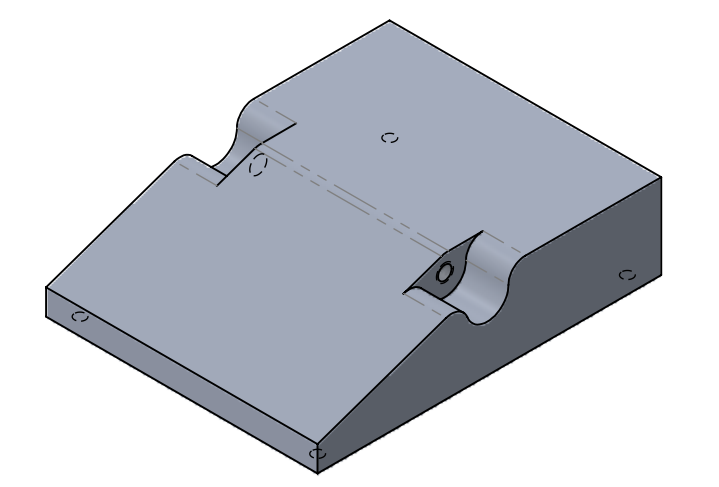
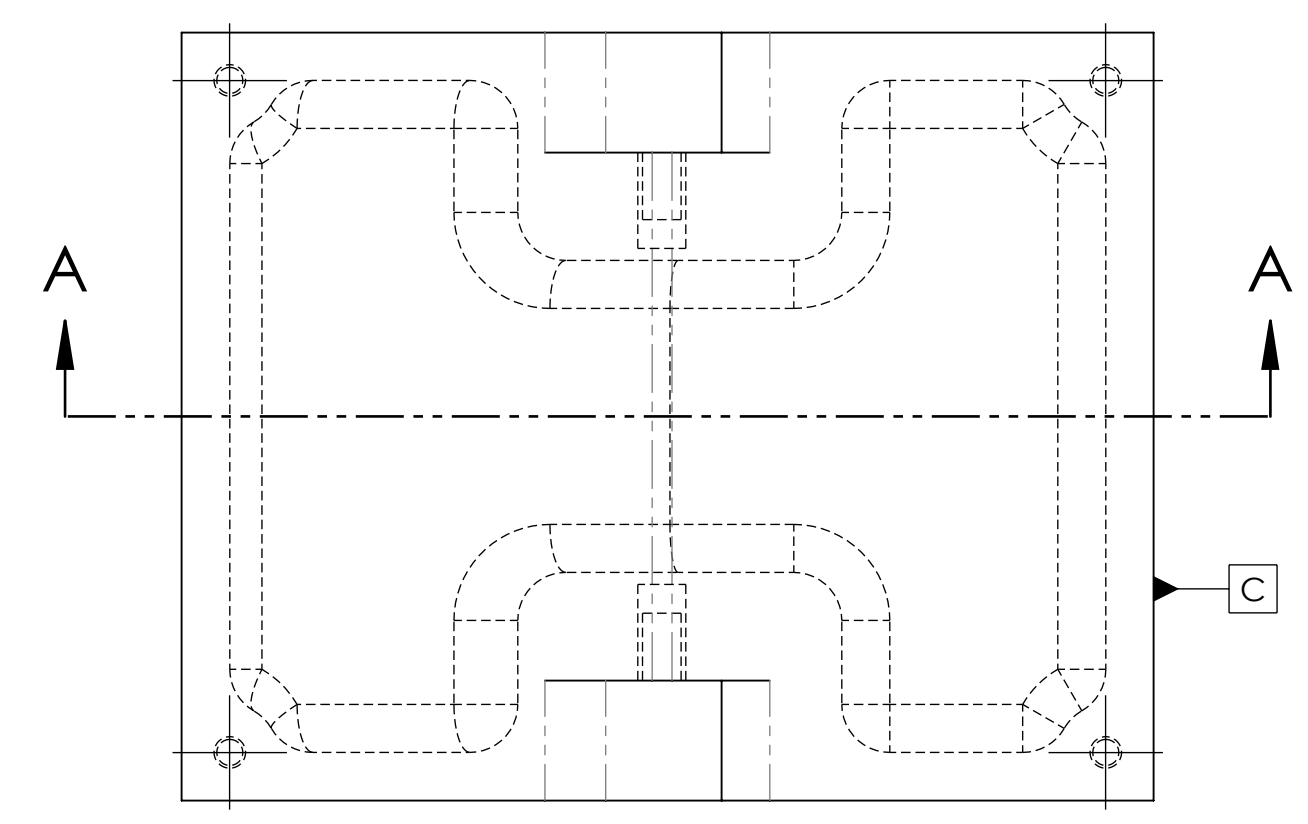
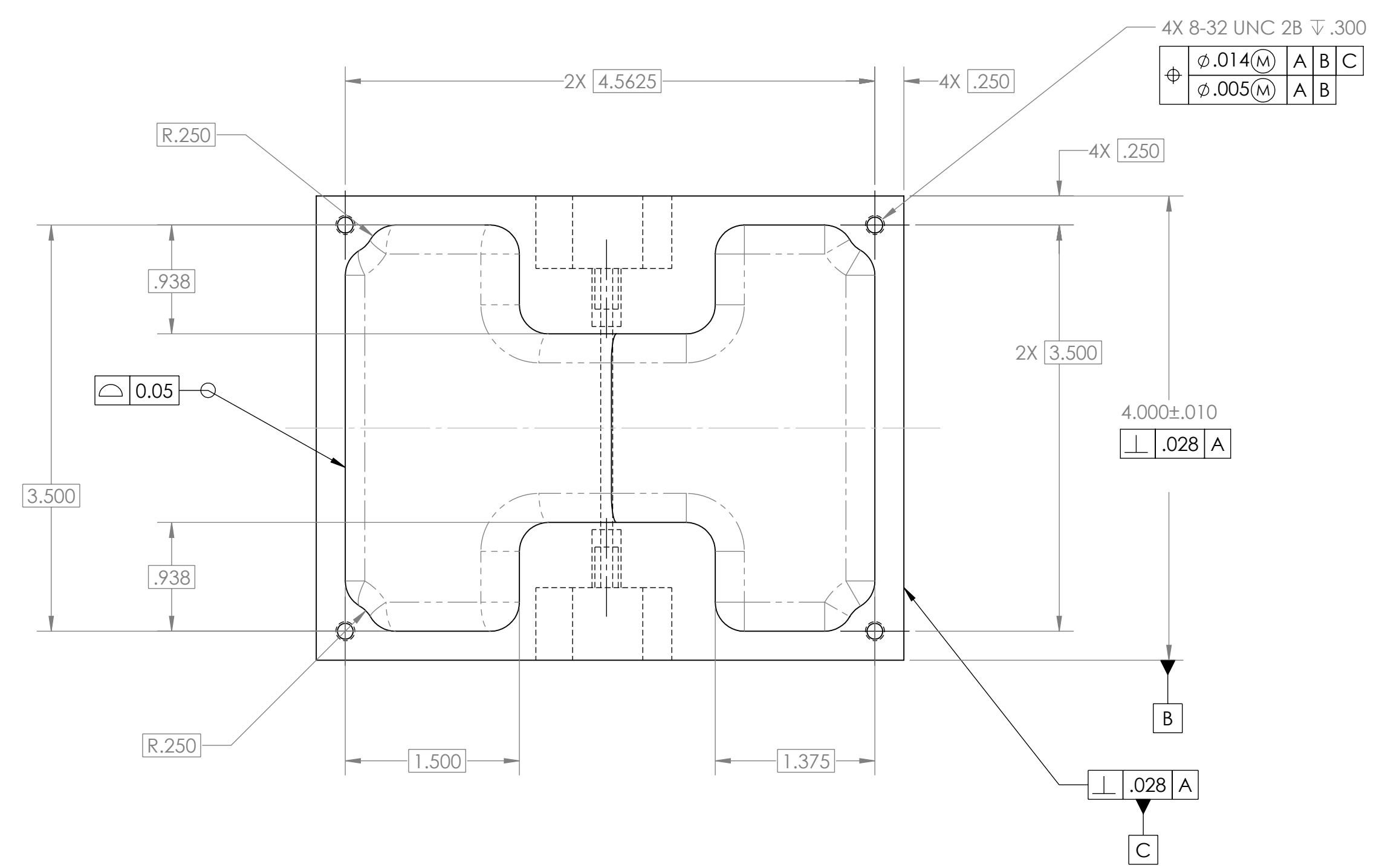
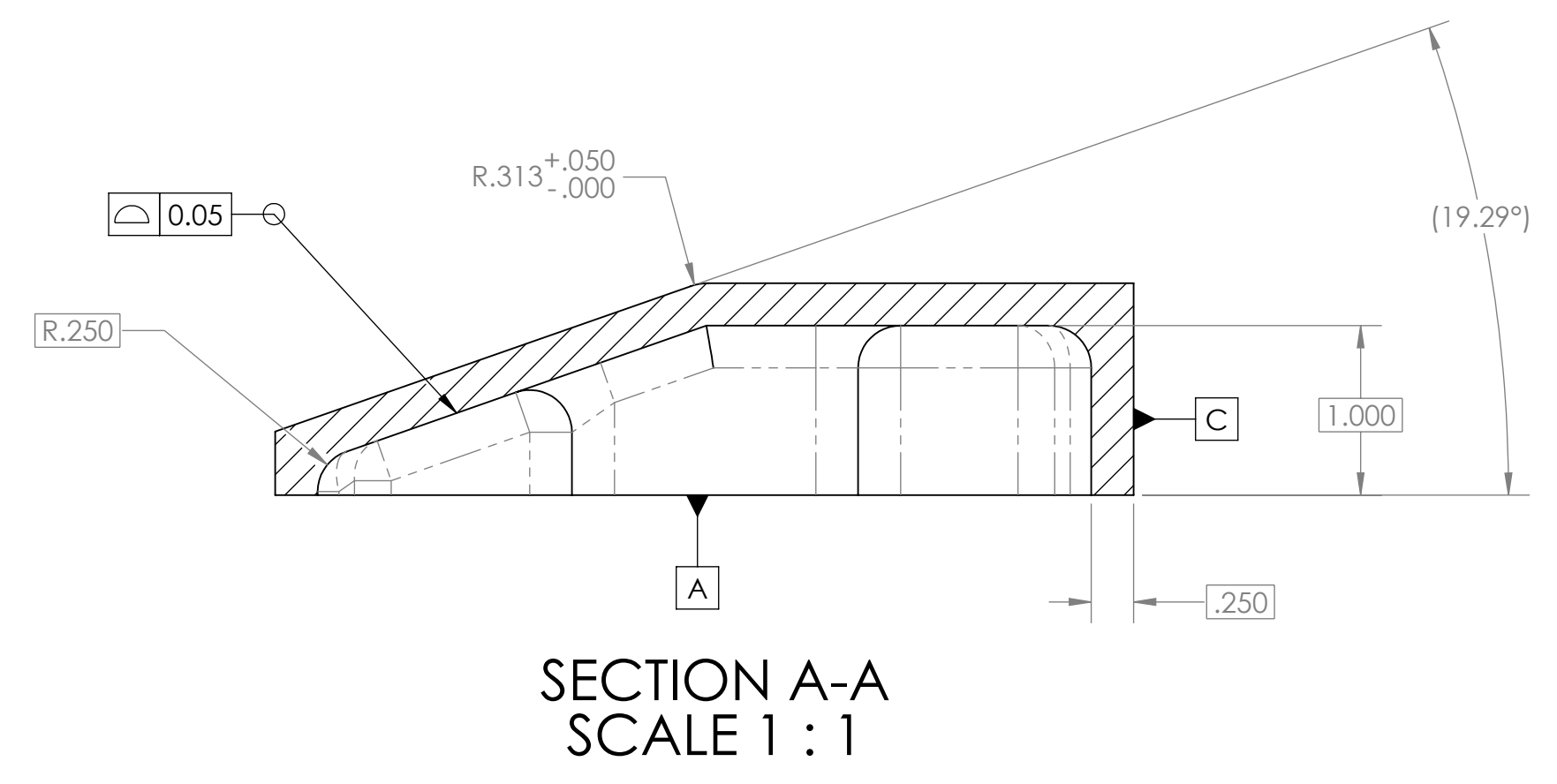
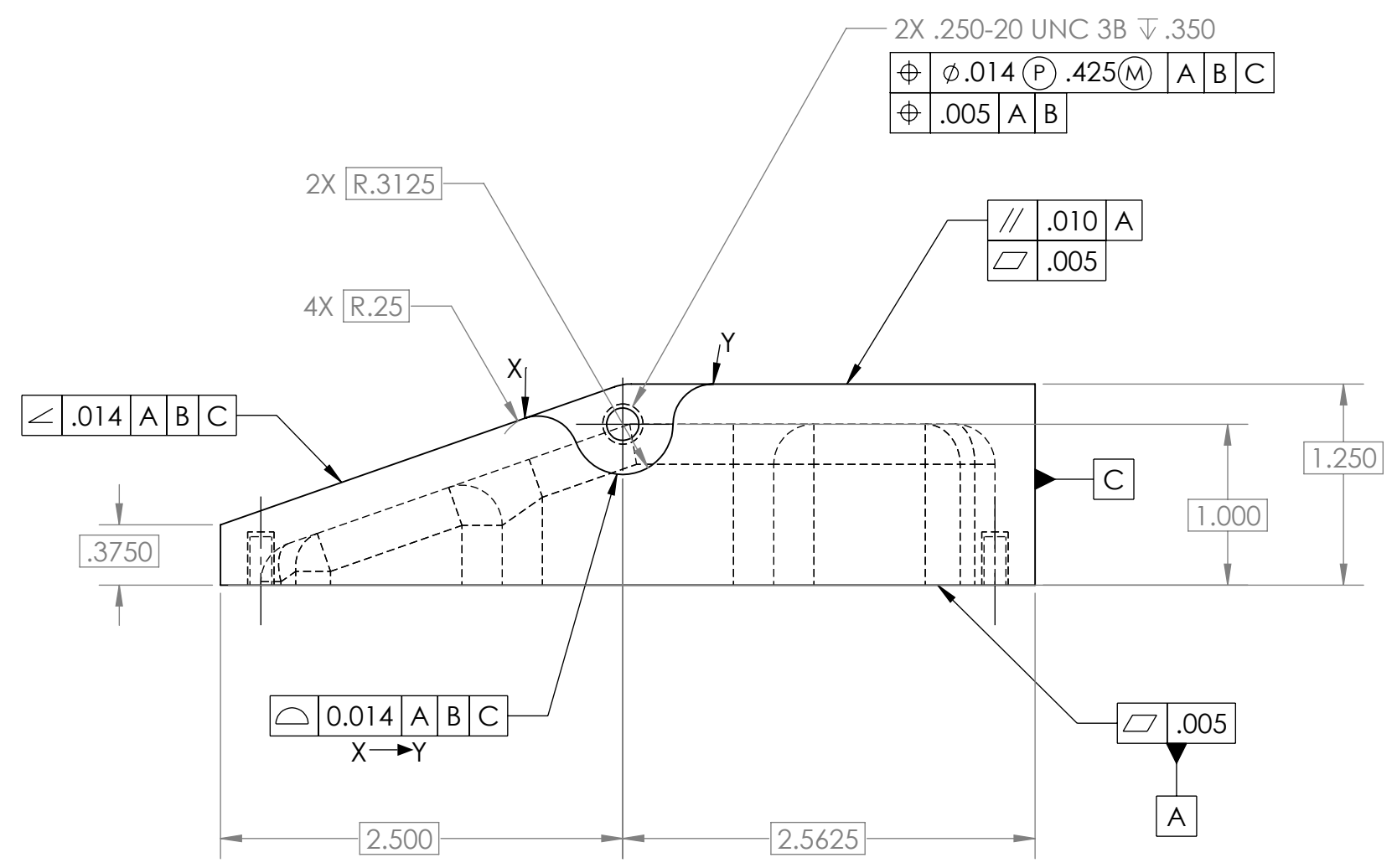
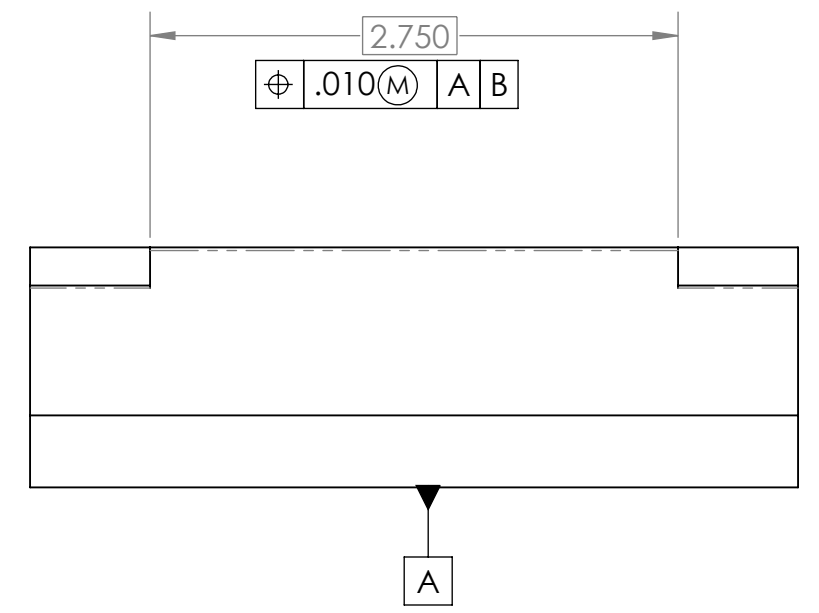


REVISIONS				
ZONE	REV.	DESCRIPTION	DATE	APPROVED

CAD MAINTAINED.  
CHANGES SHALL BE  
INCORPORATED BY  
THE DESIGN  
ACTIVITY

NOTES: UNLESS OTHERWISE SPECIFIED:

1. INTERPRET DRAWING IN ACCORANCE WITH INDUSTRY STANDARDS PRESCRIBED BY ASME Y.14.5-2009 AND MILL-T-31000.
2. MATERIAL: 1060 ALUMINUM ALLOY.
3. ALL FILLETS AND ROUNDS R.05.
4. REMOVE ALL BURRS AND SHARP EDGES.
5. DO NOT SCALE DRAWING.



UNLESS OTHERWISE SPECIFIED:		NAME	DATE	TITLE: <b>PEDAL BASE</b>
DIMENSIONS ARE IN INCHES		DRAWN	06/04/23	
TOLERANCES:		CHECKED		SIZE DWG. NO. <b>D ITEM#1</b>
FRACTIONAL ±.010		ENG APPR.		
ANGULAR: MACH ±1 DEG		MFG APPR.		REV <b>1</b>
TWO PLACE DECIMAL ±.010		Q.A.		
THREE PLACE DECIMAL ±.050		COMMENTS:		SCALE: 1:1 WEIGHT: SHEET 1 OF 1
INTERPRET GEOMETRIC TOLERANCING PER: MATERIAL				
FINISH	APPLICATION	DO NOT SCALE DRAWING		

PROPRIETARY AND CONFIDENTIAL  
THE INFORMATION CONTAINED IN THIS DRAWING IS THE SOLE PROPERTY OF MIGUEL A. VILABLANCA. ANY REPRODUCTION IN PART OR AS A WHOLE WITHOUT THE WRITTEN PERMISSION OF MIGUEL A. VILABLANCA IS PROHIBITED.