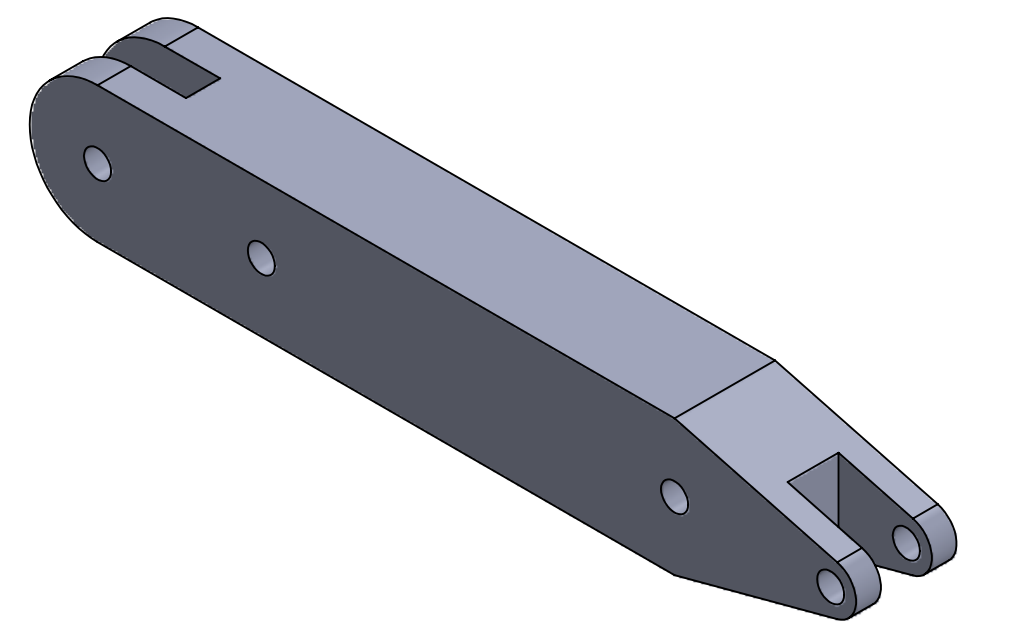
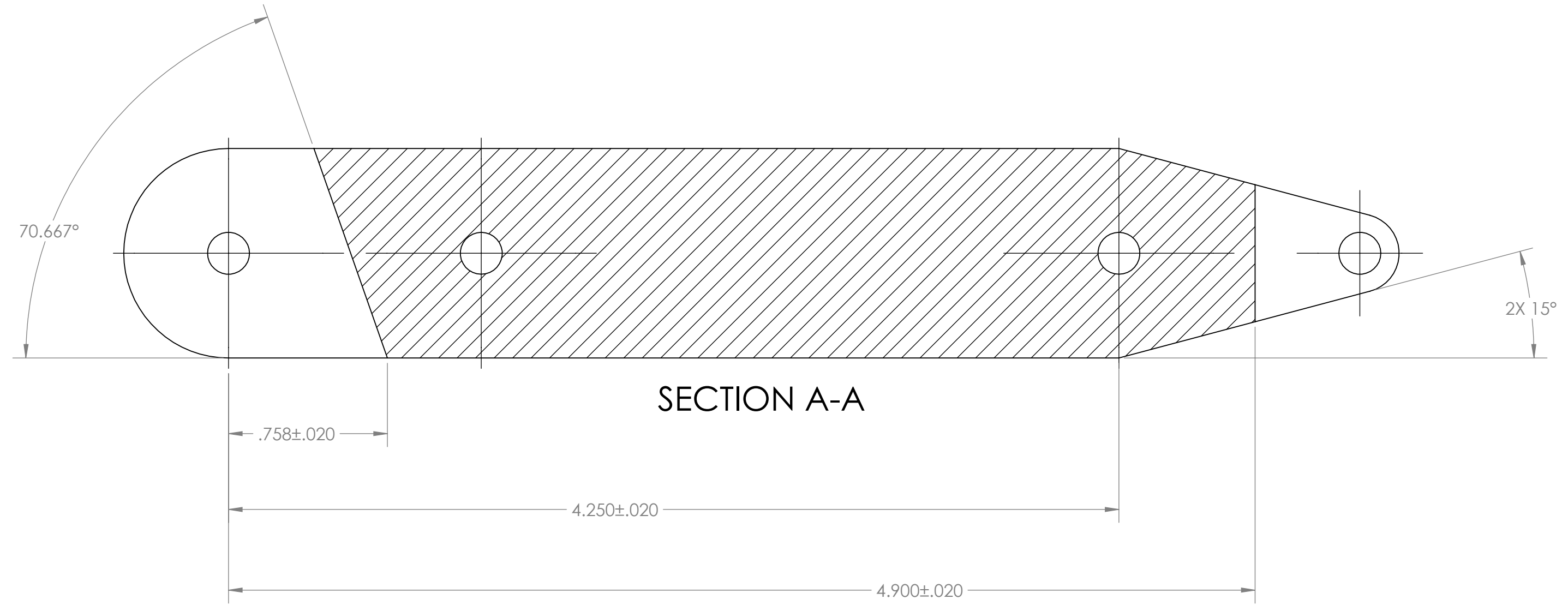
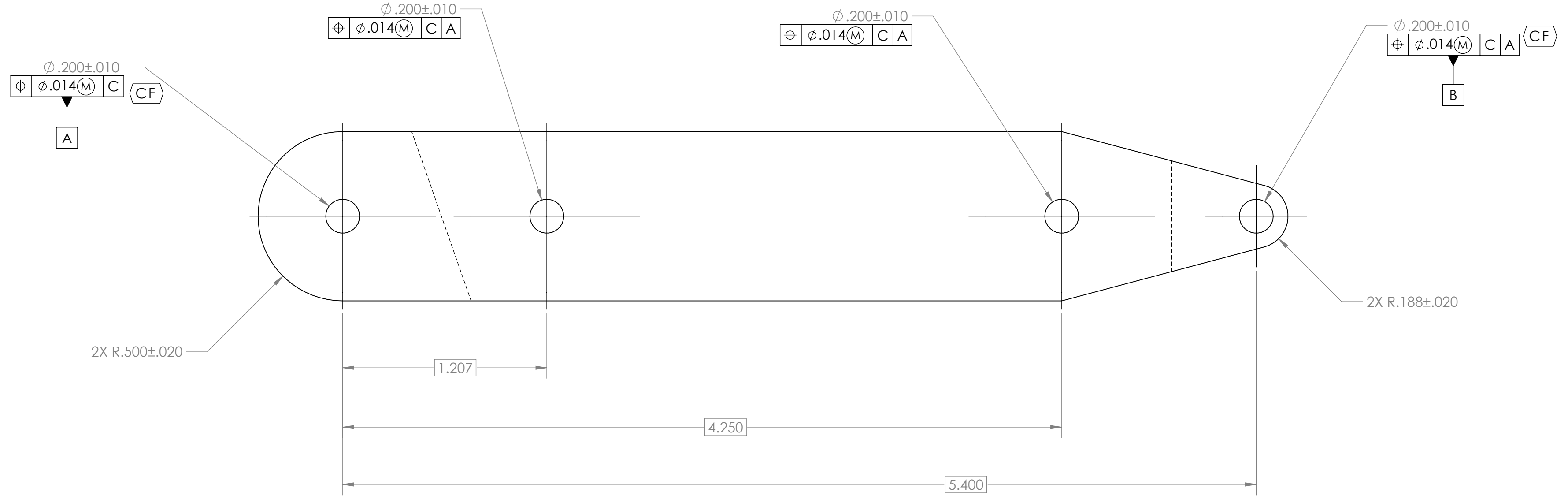
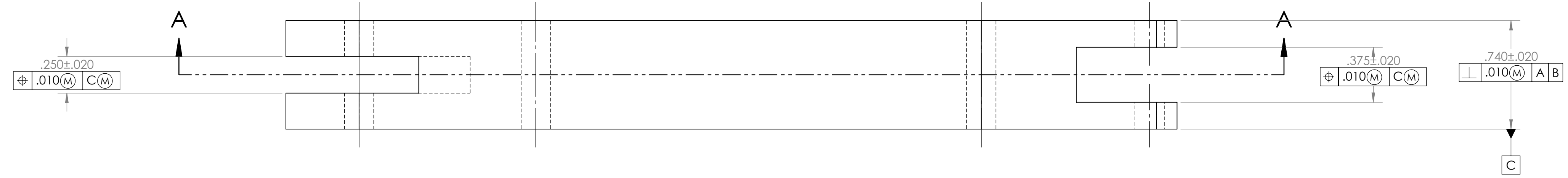


CAD MAINTAINED.  
CHANGES SHALL BE  
INCORPORATED BY  
THE DESIGN  
ACTIVITY.

REVISIONS				
ZONE	REV.	DESCRIPTION	DATE	APPROVED

**NOTES: UNLESS OTHERWISE SPECIFIED:**

1. INTERPRET DRAWING IN ACCORDANCE WITH INDUSTRY STANDARDS  
PERSCRIBED BY ASME Y.14.5-2018 AND MILL-T-31000.
2. MATERIAL: PLA PLASTIC
3. SURFACE FINISH 120
4. REMOVE ALL BURRS AND SHARP EDGES.
5. DO NOT SCALE DRAWING.



PROPRIETARY AND CONFIDENTIAL  
THE INFORMATION CONTAINED IN THIS  
DRAWING IS THE SOLE PROPERTY OF  
LWTECH. ANY REPRODUCTION IN PART OR AS A WHOLE  
WITHOUT THE WRITTEN PERMISSION OF  
LWTECH IS PROHIBITED.

UNLESS OTHERWISE SPECIFIED:		DRAWN		NAME		DATE	
DIMENSIONS ARE IN INCHES		CHECKED		VELARANCA		06/01/24	
TOLERANCES:		ENG APPR.					
FRACTIONAL: 1/16		MFG APPR.					
ANGULAR: MACH ±.25°		Q.A.					
TWO PLACE DECIMAL ±.02		COMMENTS:					
THREE PLACE DECIMAL ±.010							
MATERIAL							
FINISH							
DO NOT SCALE DRAWING							

LWTECH		TITLE:	
		CAPSTONE EXCAVATOR STICK	
SIZE	DWG. NO.	REV	
D	1	-	
SCALE: 2:1	WEIGHT:	SHEET 1 OF 1	