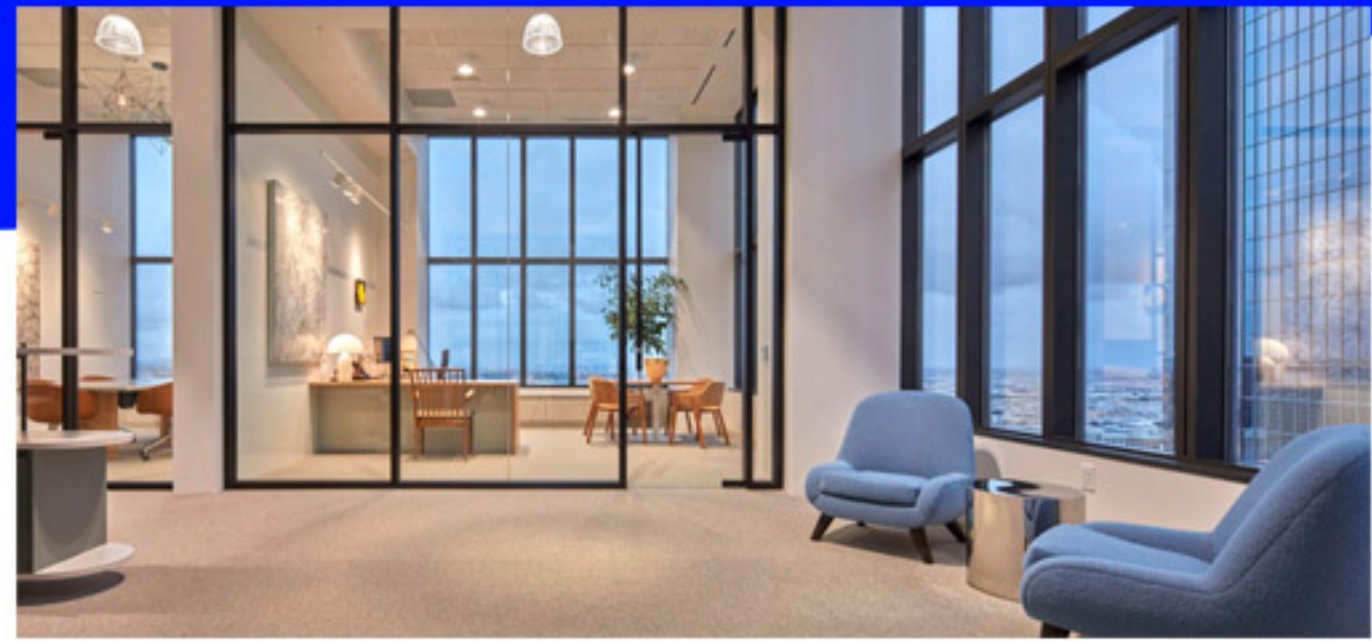
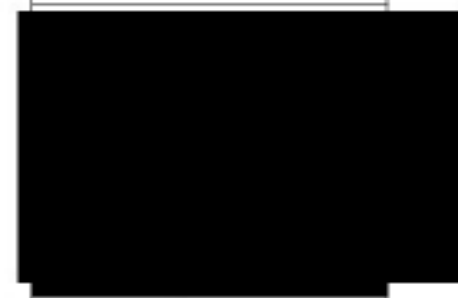
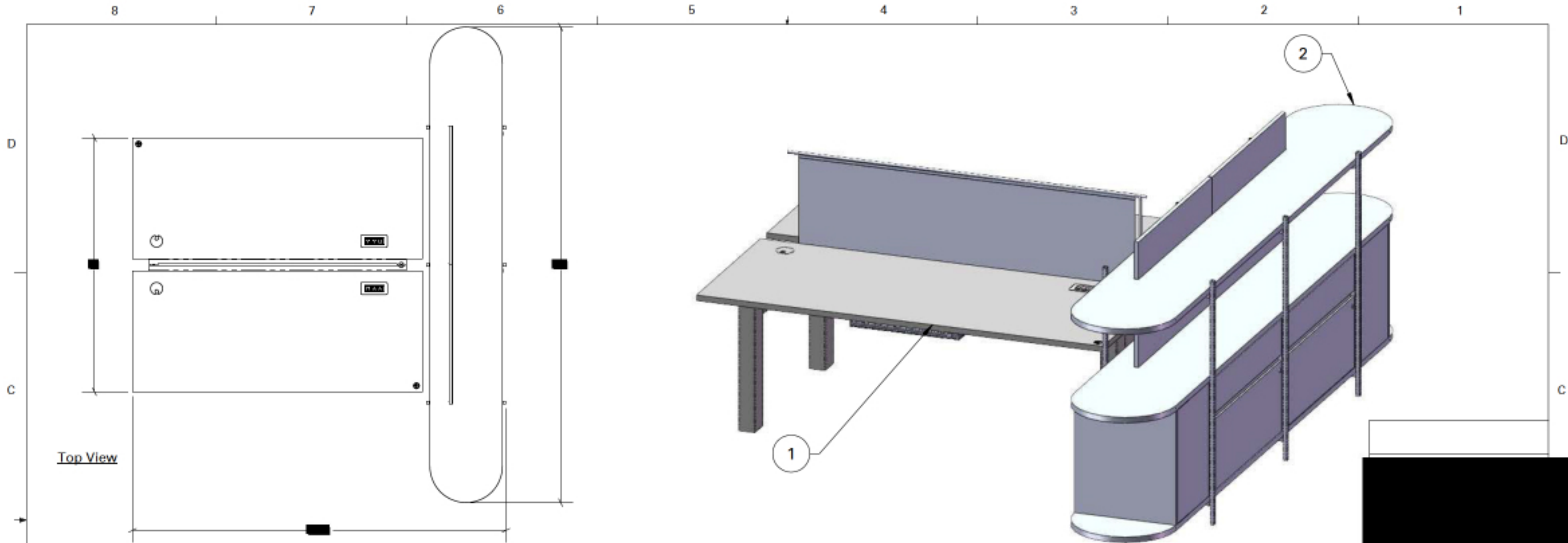


Project 1  
-While Employed at Mash

Emily Mursu  
1.612.801.3473  
Emily.Mursu@gmail.com



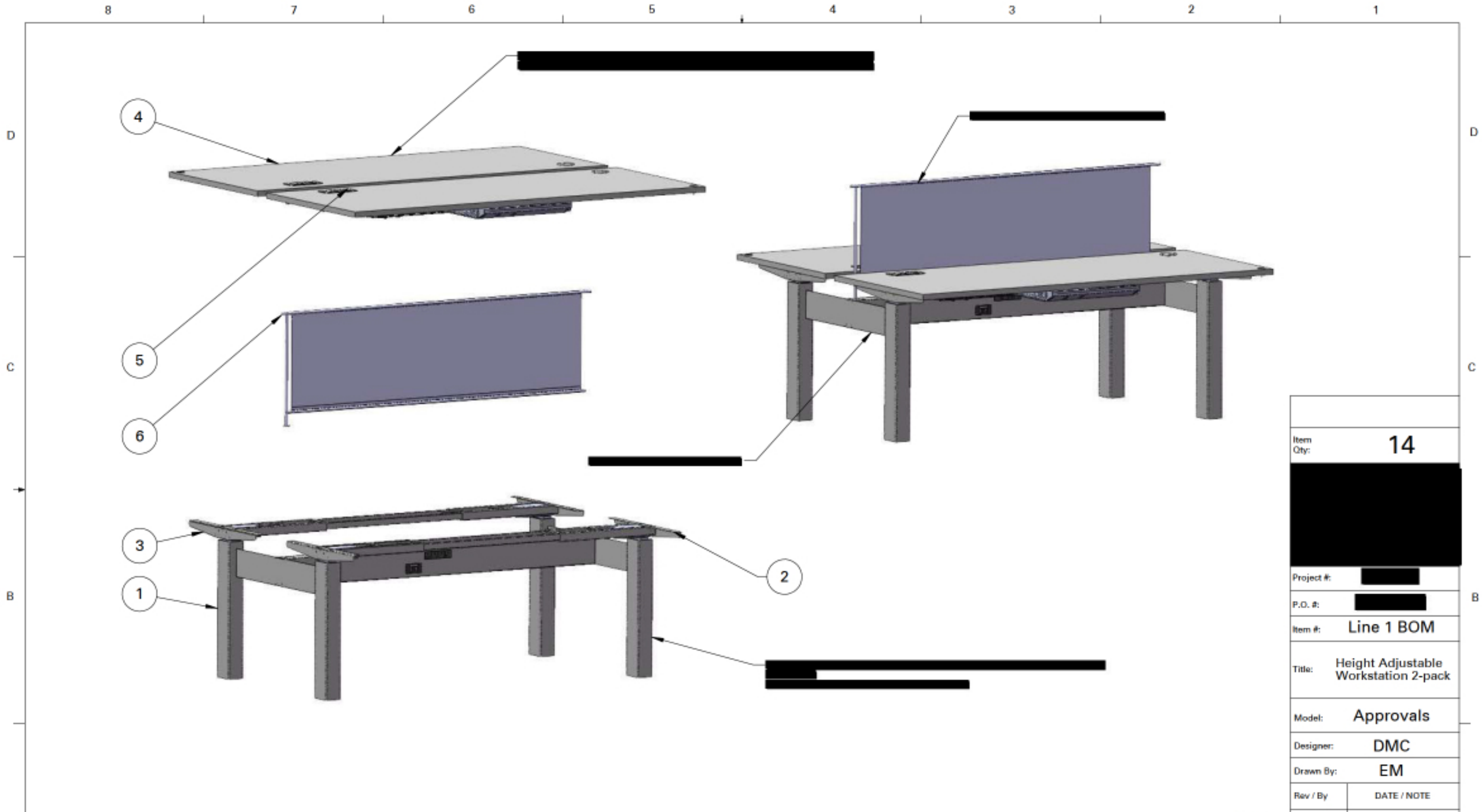


[Redacted]  
 [Redacted]  
 [Redacted] 2PK-Credenza BOM  
 [Redacted] Height Adjustable Workstation 2-pack with Credenza

Approvals	
Designer:	DMC
Drawn By:	EM
Rev / By	DATE / NOTE
-	-
-	-

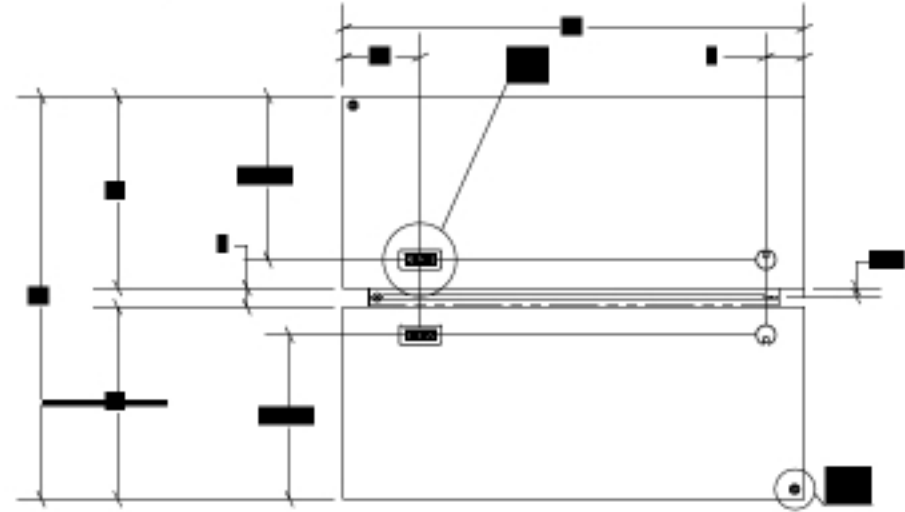
Date: 1/7/2022

ITEM NO.	DESCRIPTION	MATERIAL	FINISH	LAMINATE	TAG	QTY ON PAGE
1	Grid Wall Desking Subassembly	[Redacted]	[Redacted]	[Redacted]		1
2	Credenza Assembly	[Redacted]	[Redacted]	[Redacted]		1



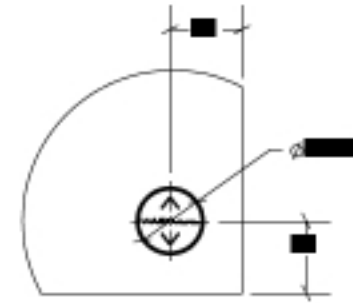
Item Qty:	14
Project #:	[REDACTED]
P.O. #:	[REDACTED]
Item #:	Line 1 BOM
Title:	Height Adjustable Workstation 2-pack
Model:	Approvals
Designer:	DMC
Drawn By:	EM
Rev / By	DATE / NOTE
-	-
-	-
Date:	1/7/2022

ITEM NO.	DESCRIPTION	MATERIAL	FINISH	LAMINATE	TAG	QTY ON PAGE
1	Power Beam Assembly End-Grid Wall					1
2	Lifting Leg Assembly Right					1
3	Lifting Leg Assembly Left					1
4	WS Desktop Assembly Left	[REDACTED]				1
5	WS Desktop Assembly Right	[REDACTED]				1
6	Divider Panel Screen	[REDACTED]				1
7	Metal Bag Hook					1

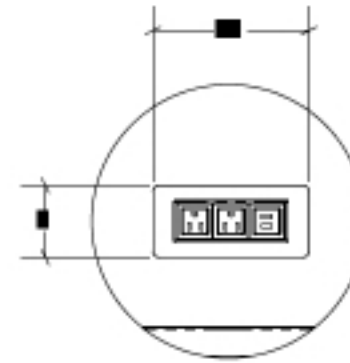


Top View

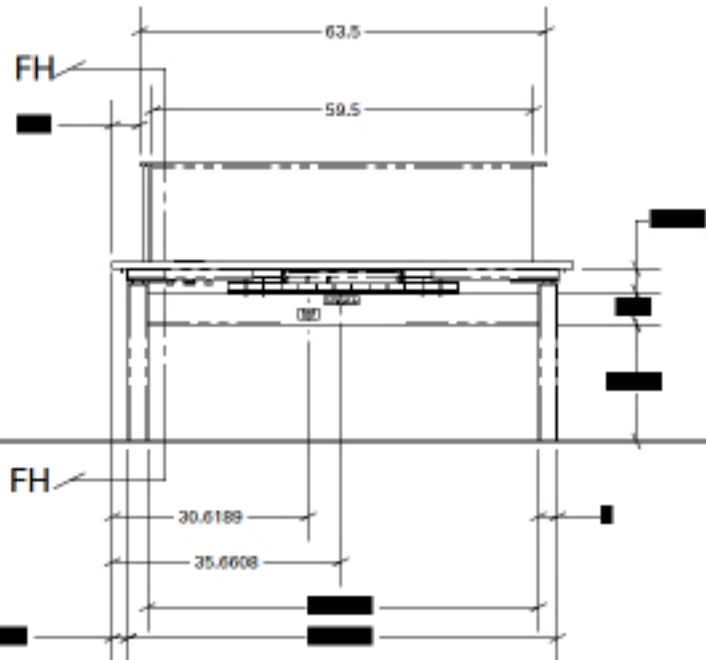
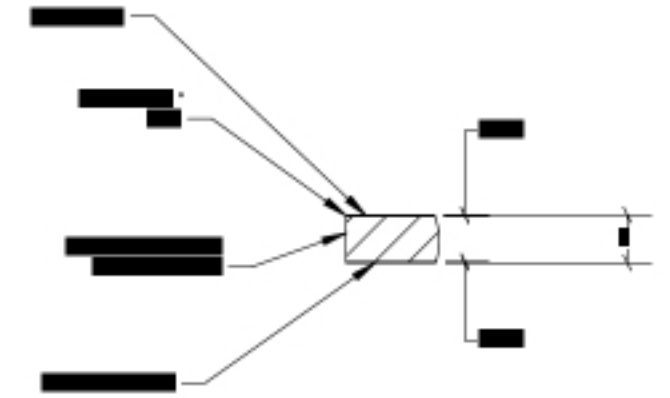
DETAIL FK  
SCALE 1 : 4  
Up/Down Control



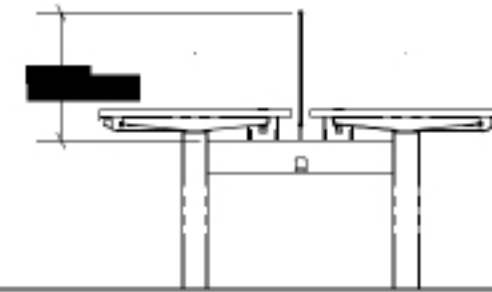
DETAIL FL  
SCALE 1 : 8



DETAIL FJ  
SCALE 1 : 4

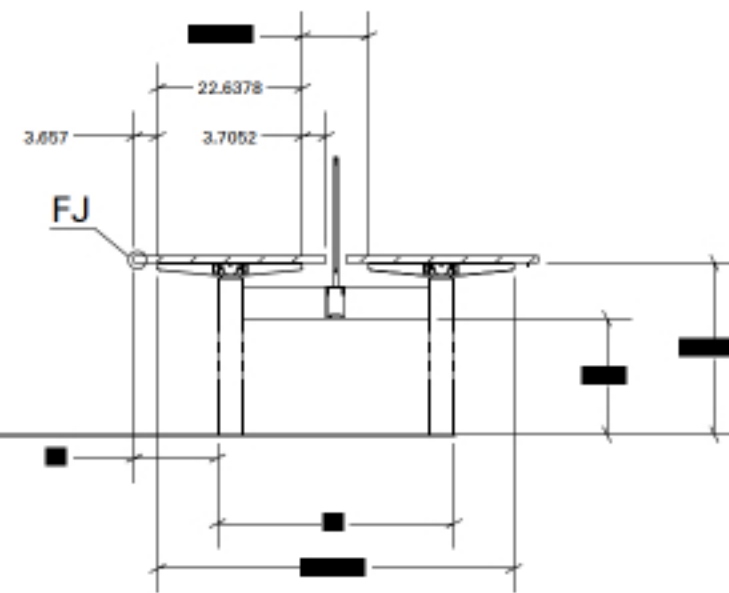


Front View

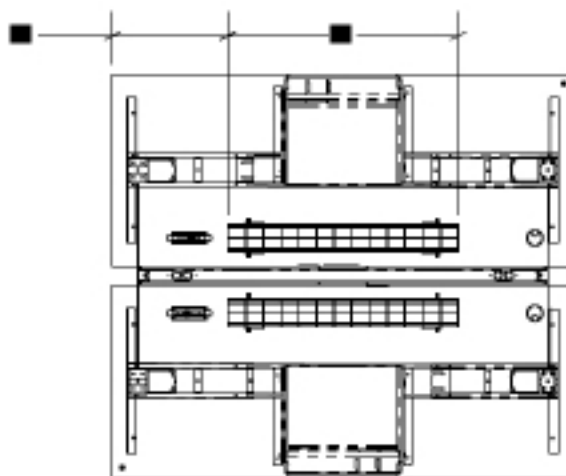


Side View

Line of Finished Floor



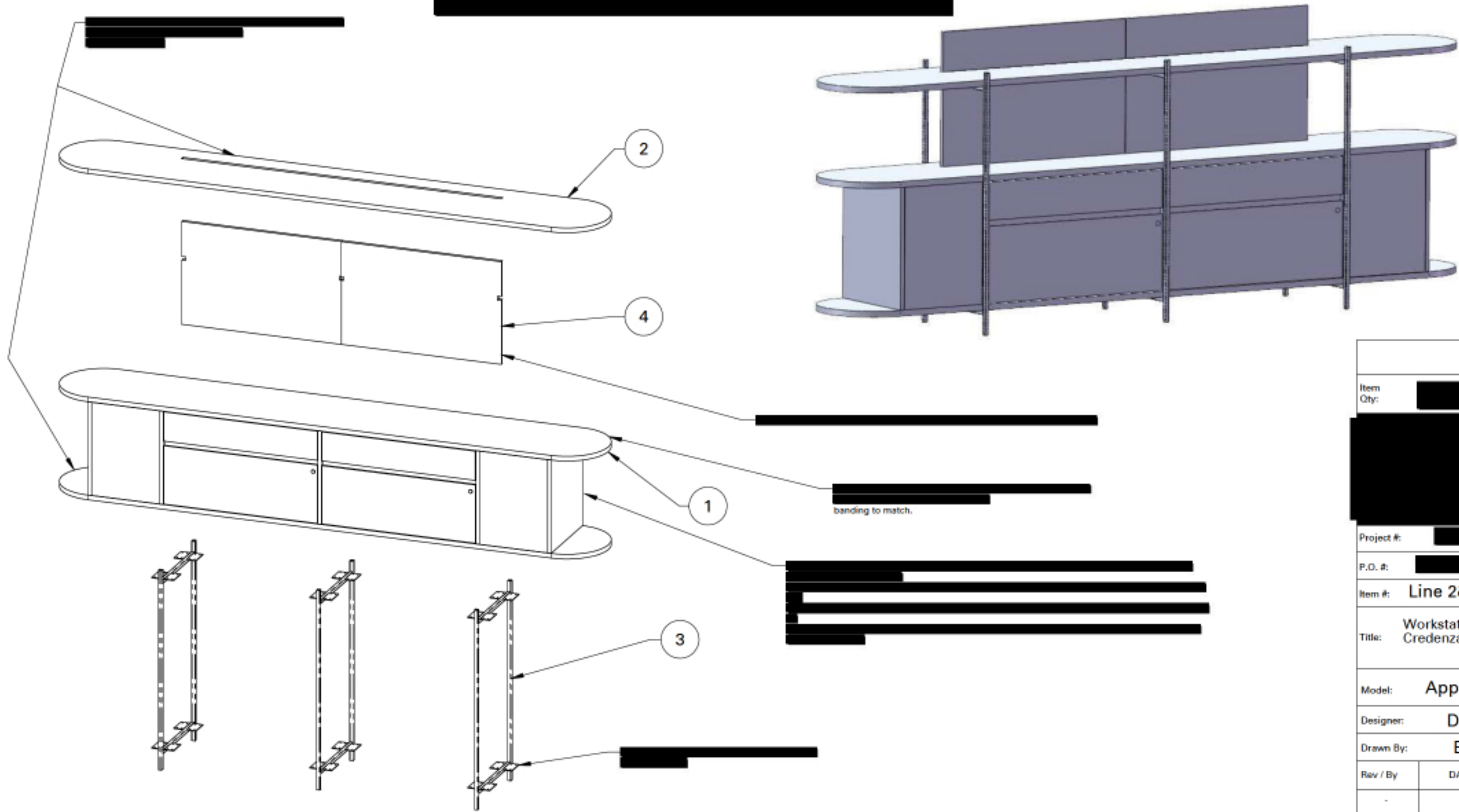
SECTION FH-FH



Bottom View

Item Qty:	14
Project #:	[REDACTED]
P.O. #:	[REDACTED]
Item #:	Line 1 Dims
Title:	Height Adjustable Workstation 2-pack; Right Side (Grid Wall)
Model:	-
Designer:	DMC
Drawn By:	EM
Rev / By	DATE / NOTE
-	-
-	-
Date:	1/7/2022

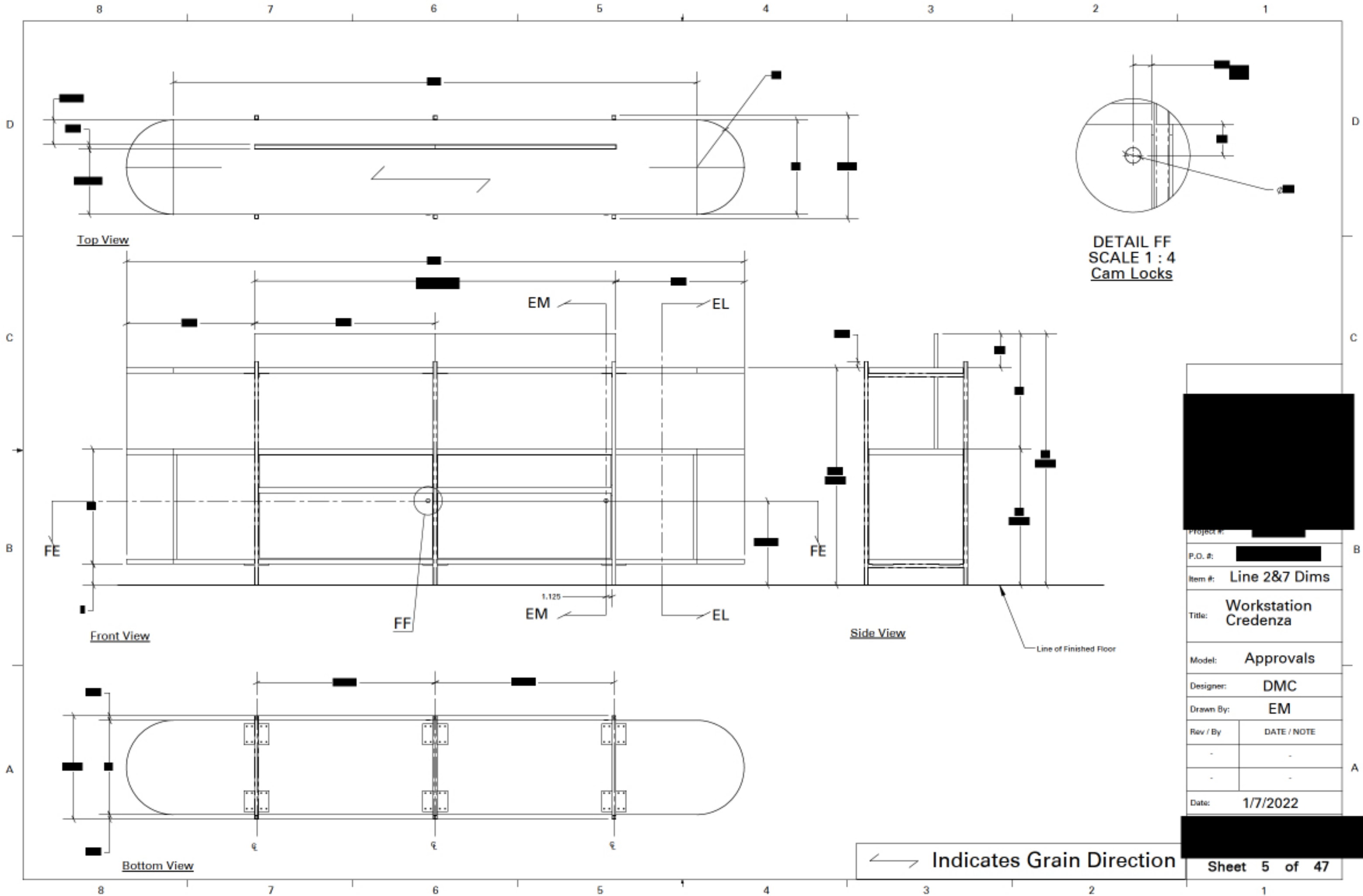
Note: Workstation Credenzas:  
Line 2



Item Qty:	[Redacted]
Project #:	[Redacted]
P.O. #:	[Redacted]
Item #:	Line 2&7 BOM
Title:	Workstation Credenza
Model:	Approvals
Designer:	DMC
Drawn By:	EM
Rev / By	DATE / NOTE
-	-
-	-

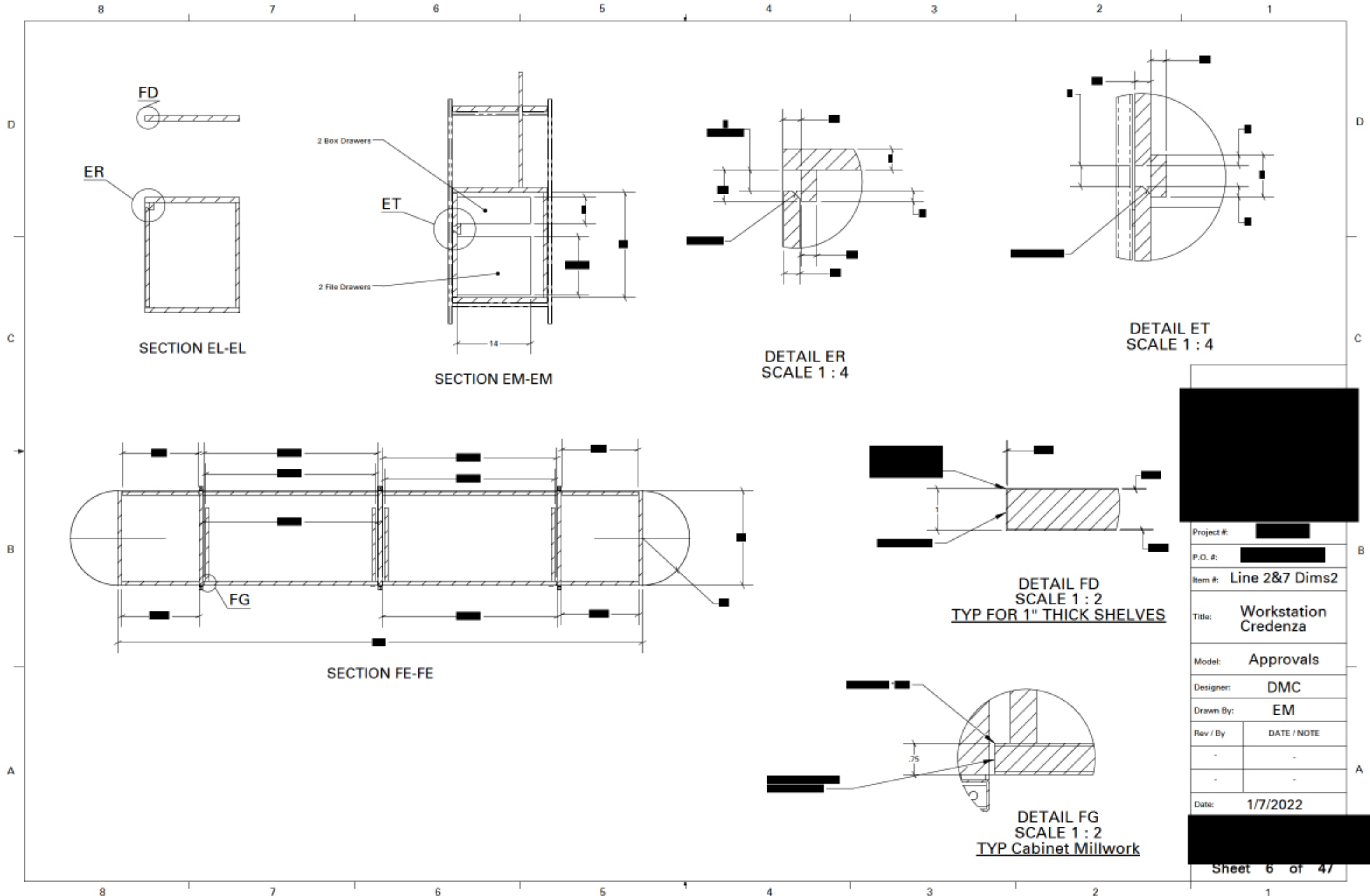
Date: 1/7/2022

ITEM NO.	DESCRIPTION	MATERIAL	FINISH	LAMINATE	TAG	QTY ON PAGE
1	Credenza Millwork Assembly	[Redacted] Formica Pumice 858-58 PLAM				1
2	Credenza Modesty Shelf	[Redacted]				1
3	Credenza Frame	[Redacted]				3
4	Credenza Modesty Vertical	[Redacted]				1



Project #:	
P.O. #:	
Item #: Line 2&7 Dims	
Title: Workstation Credenza	
Model: Approvals	
Designer: DMC	
Drawn By: EM	
Rev / By	DATE / NOTE
-	-
-	-
Date: 1/7/2022	



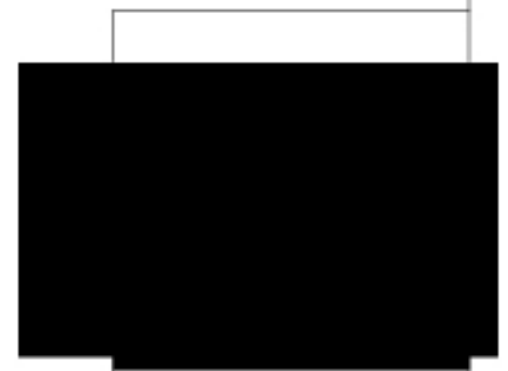
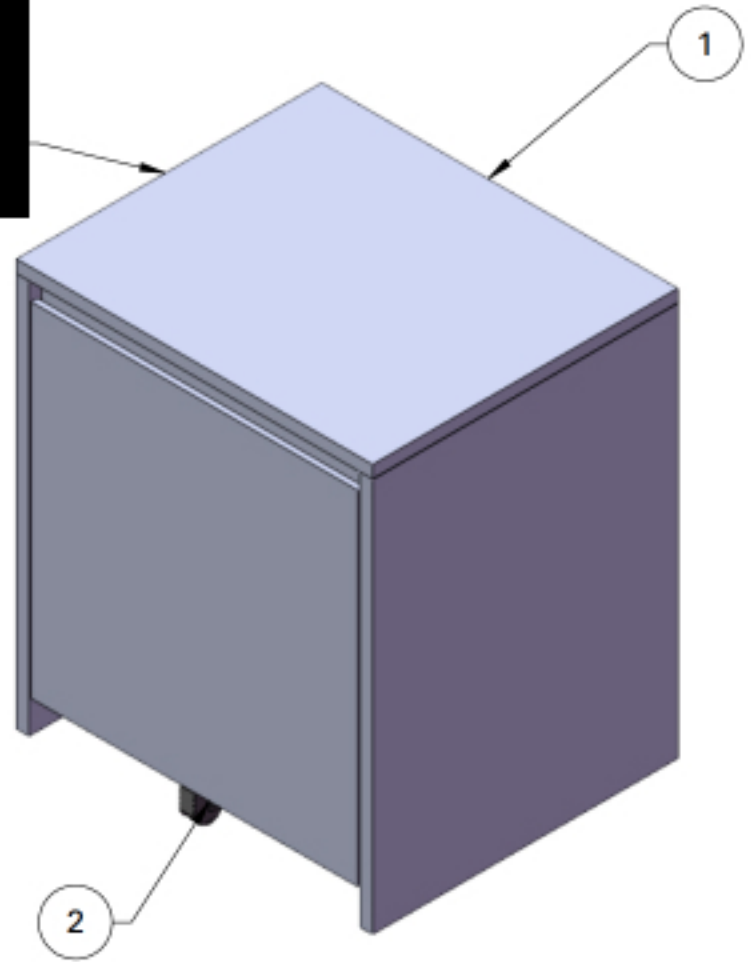


Project #:	[REDACTED]
P.O. #:	[REDACTED]
Item #:	Line 2&7 Dims2
Title:	Workstation Credenza
Model:	Approvals
Designer:	DMC
Drawn By:	EM
Rev / By	DATE / NOTE
-	-
-	-

Date: 1/7/2022

Note: PO Line item QTYs:

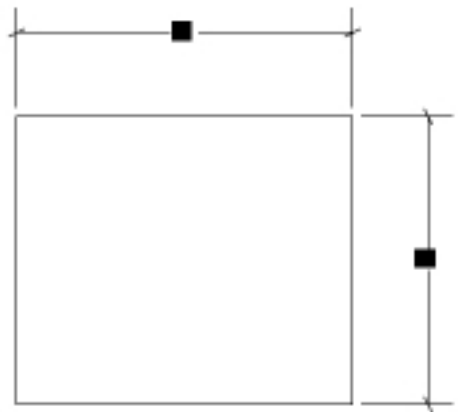
Line 3  
Line 1



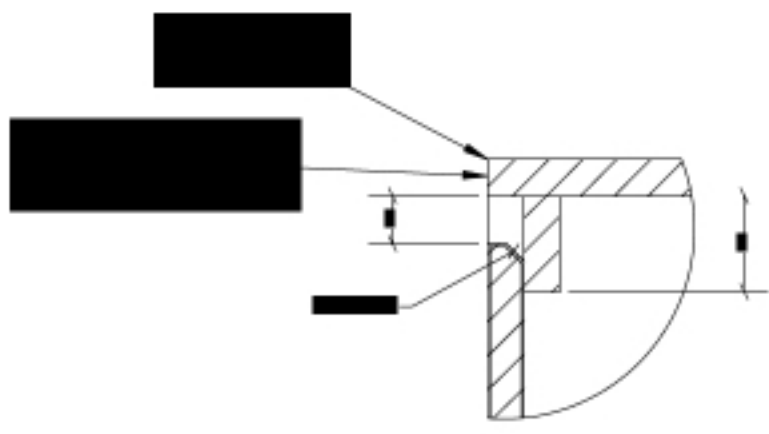
Project #:	[Redacted]
P.O. #:	[Redacted]
Item #:	[Redacted]
Title:	Printer Storage
Model:	Approvals
Designer:	DMC
Drawn By:	EM
Rev / By	DATE / NOTE
-	-
-	-
Date:	1/7/2022

ITEM NO.	DESCRIPTION	MATERIAL	FINISH	LAMINATE	TAG	QTY ON PAGE
1	Printer Storage					1
2	Supporting drawer Caster					

8 7 6 5 4 3 2 1

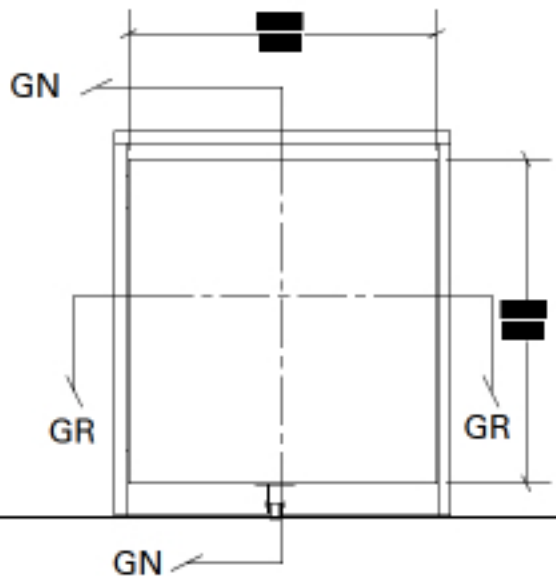


Top View

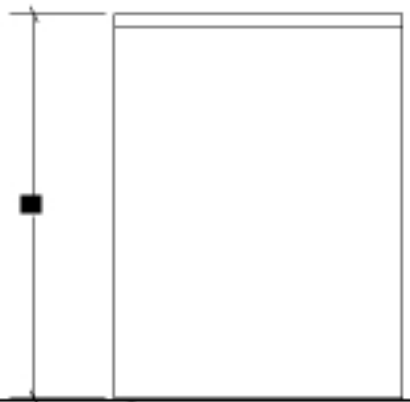


DETAIL GP  
SCALE 1 : 4

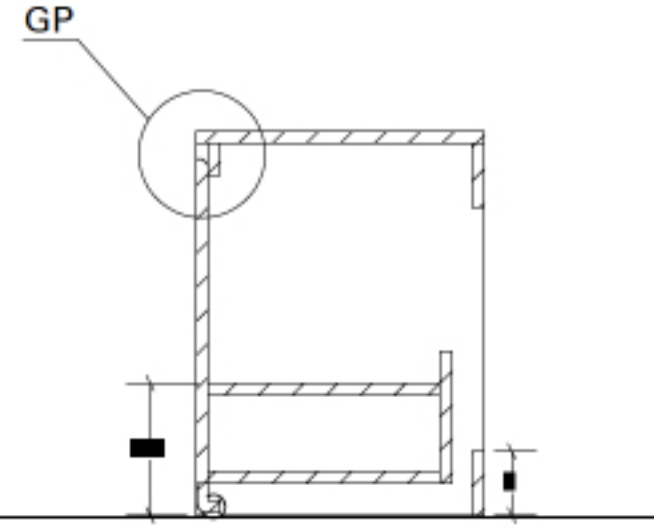
Note: PO Line item QTYs:  
Line 3: [Redacted]  
Line 10: [Redacted]



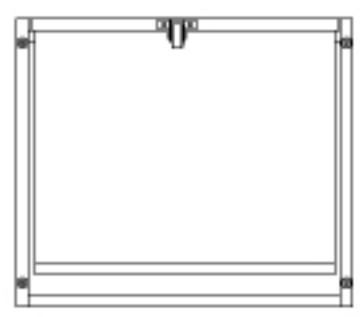
Front View



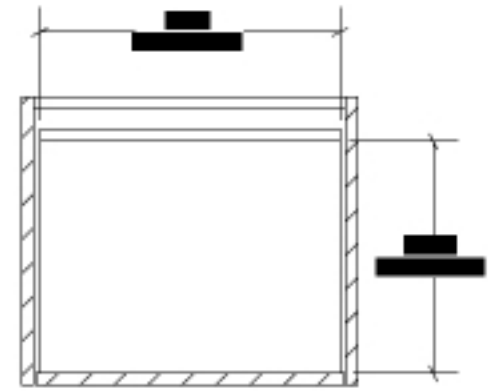
Side View



SECTION GN-GN



Bottom View



SECTION GR-GR

Line of Finished Floor



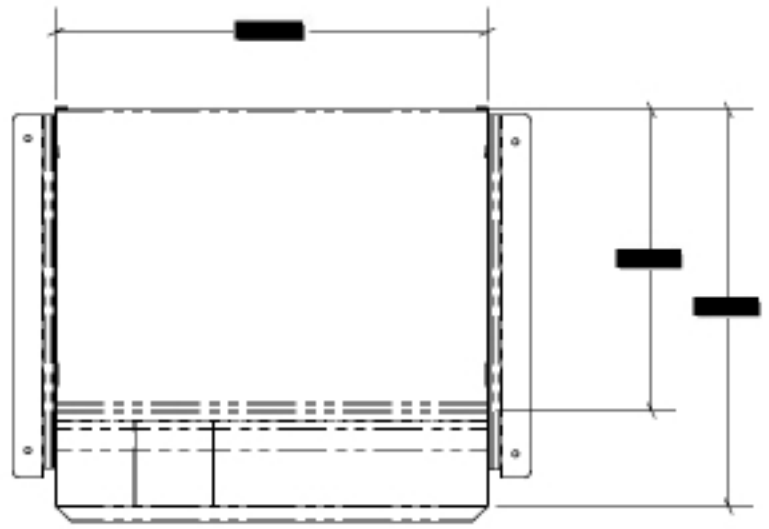
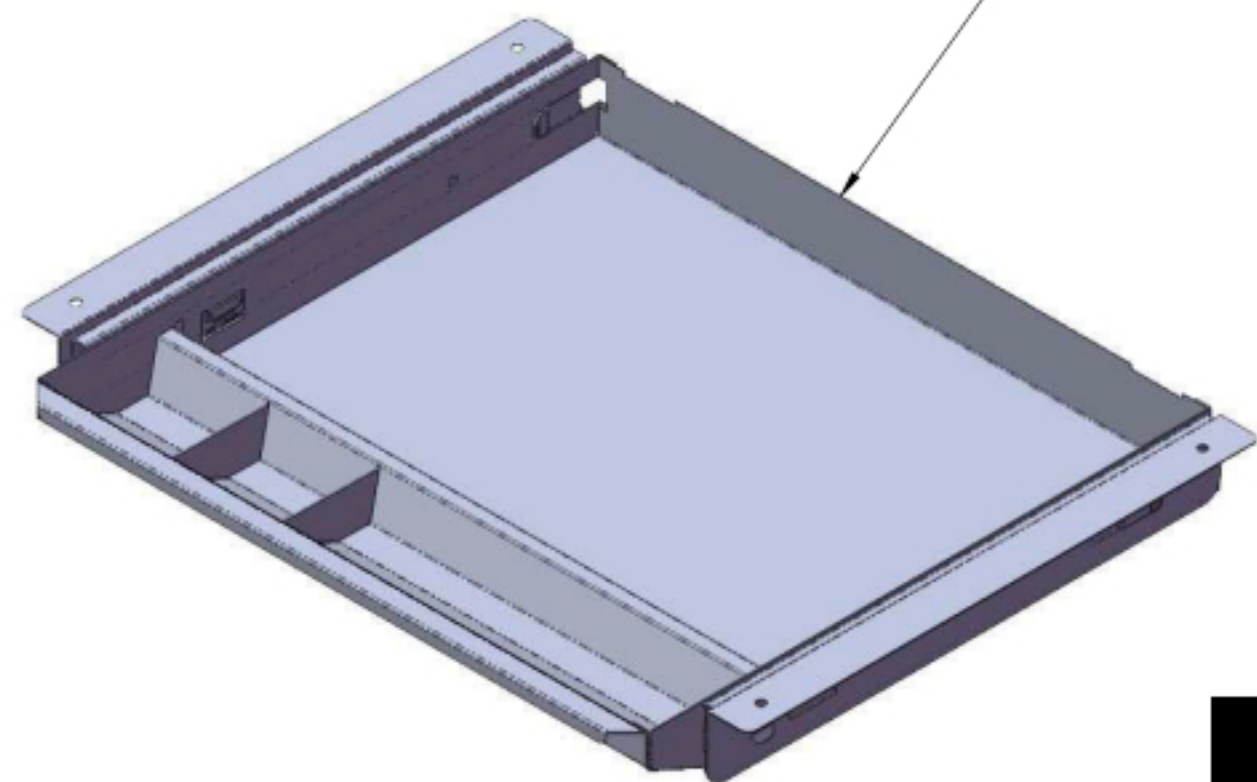
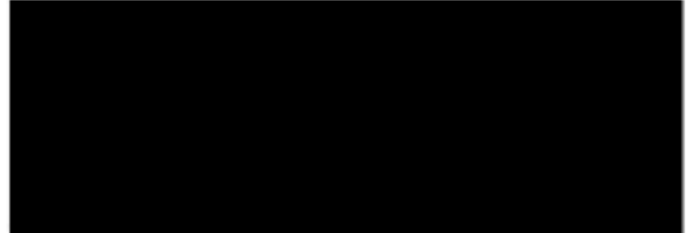
Project #:	[Redacted]
P.O. #:	[Redacted]
Item #:	Line3&10 Dims
Title:	Printer Storage
Model:	Approvals
Designer:	DMC
Drawn By:	EM
Rev / By	DATE / NOTE
-	-
-	-

Date: 1/7/2022

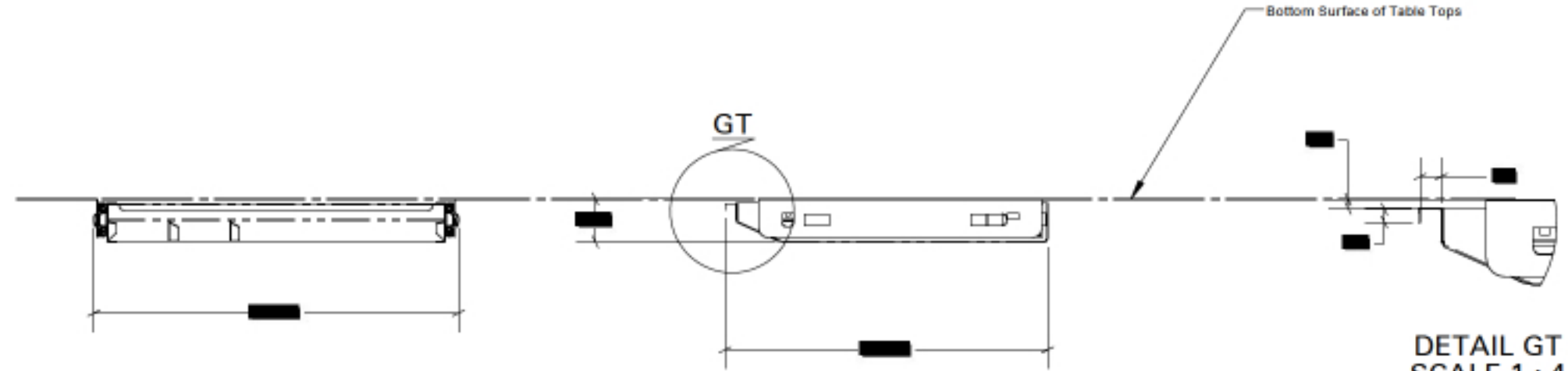


8 7 6 5 4 3 2 1

NOTE:



Top View



DETAIL GT  
SCALE 1 : 4

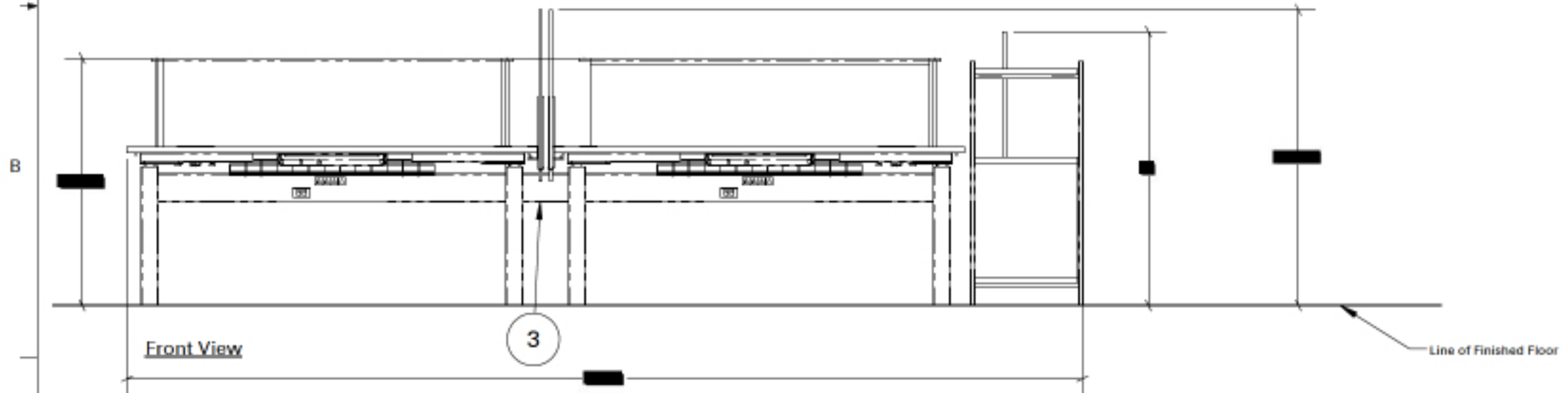
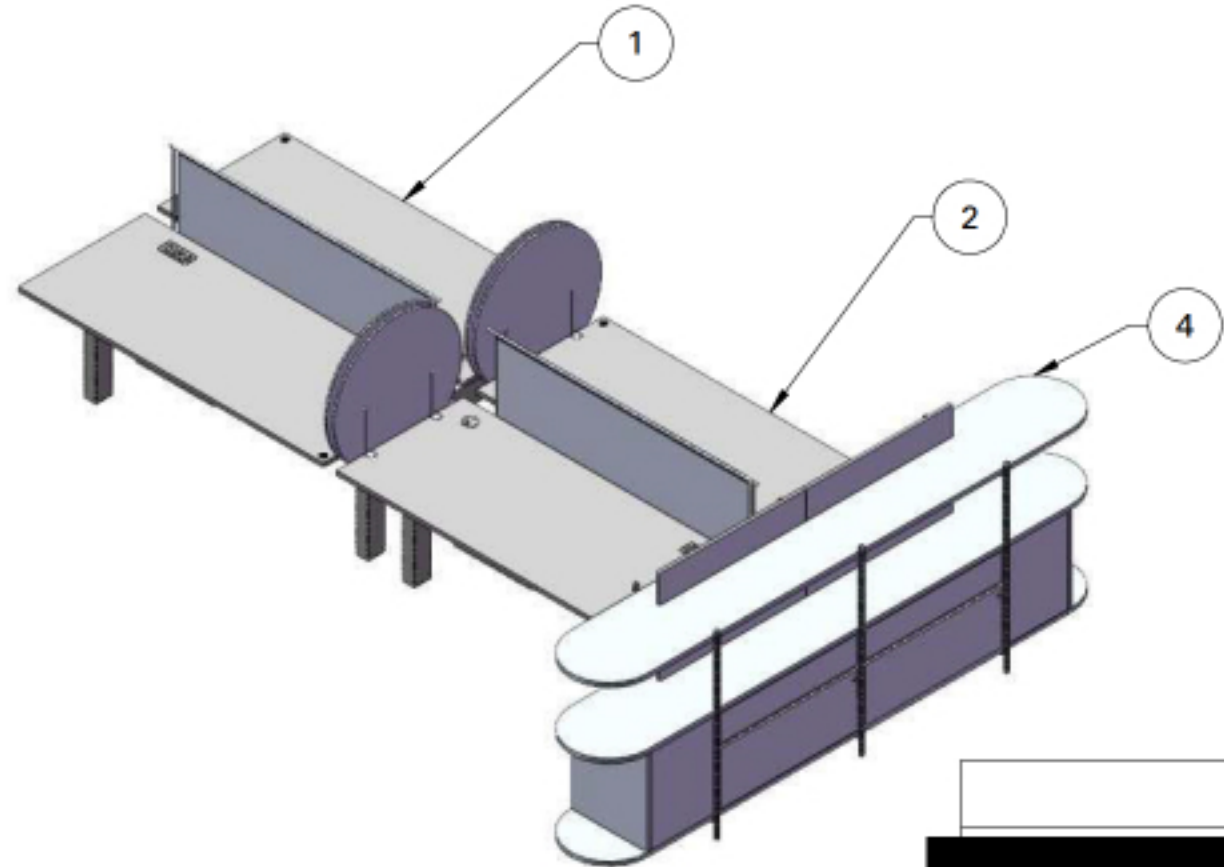
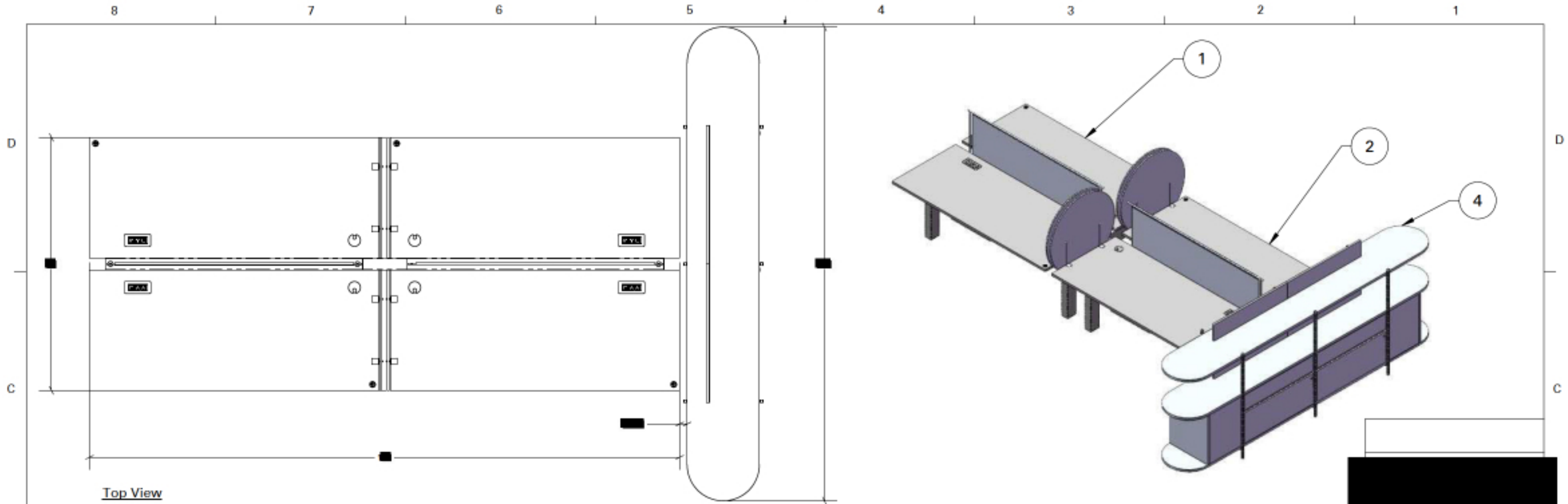
Front View

Side View



Project #:	[Redacted]
P.O. #:	[Redacted]
Item #:	[Redacted]
Title:	Pencil Drawer
Model:	Approvals
Designer:	DMC
Drawn By:	EM
Rev / By	DATE / NOTE
-	-
-	-
Date:	1/7/2022

ITEM NO.	DESCRIPTION	MATERIAL	FINISH	LAMINATE	TAG	QTY ON PAGE
1	Pencil Drawer					1

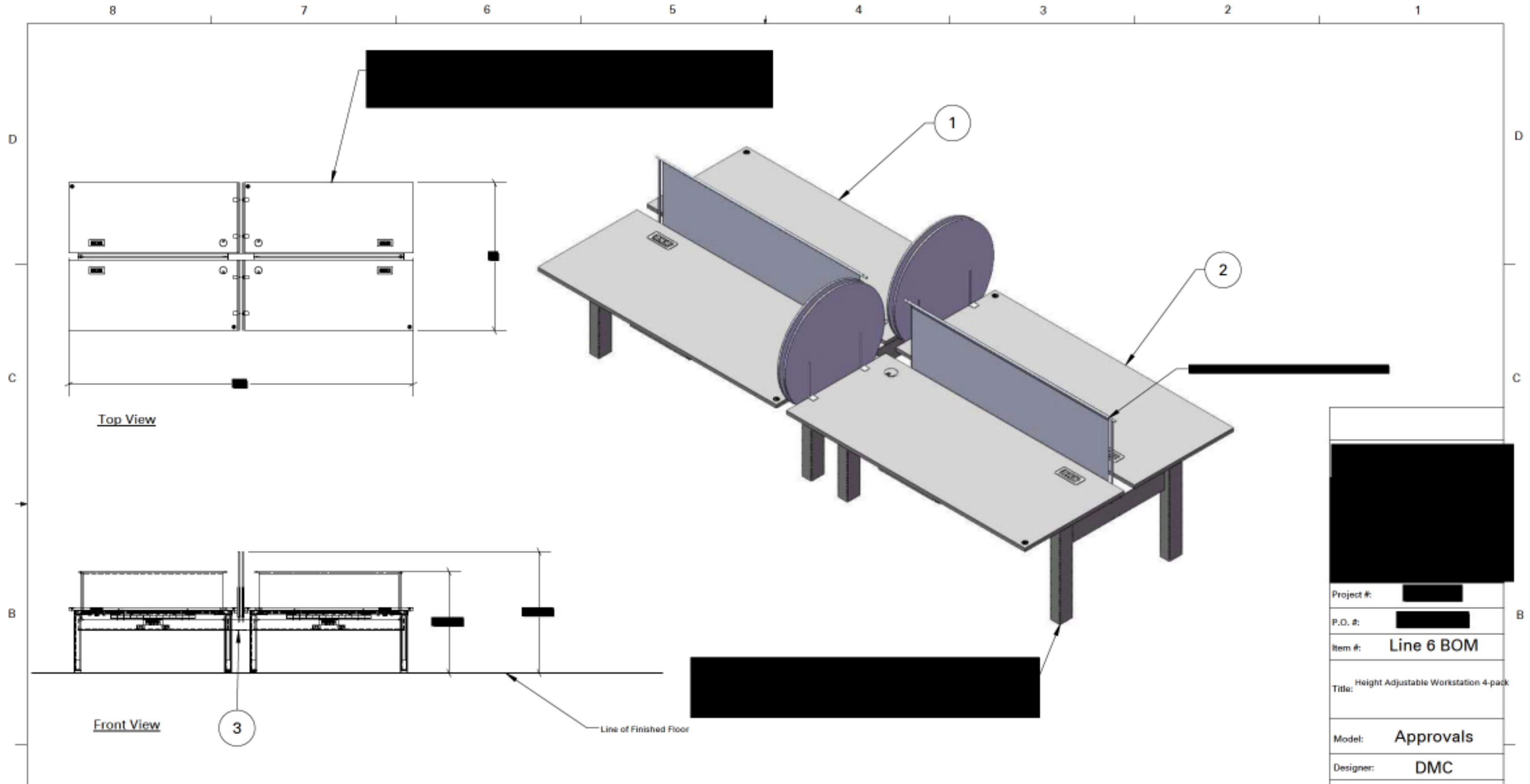


Project #: [REDACTED]  
 P.O. #: -  
 Item #: 4PK-Credenza BOM  
 Title: Height Adjustable Workstation 4-pack with Credenza

Model: Approvals  
 Designer: DMC  
 Drawn By: EM

Date: 1/7/2022

ITEM NO.	DESCRIPTION	MATERIAL	FINISH	LAMINATE	TAG	QTY ON PAGE
1	Slat Wall Desking Subassembly	[REDACTED]	[REDACTED]	[REDACTED]	[REDACTED]	1
2	Grid Wall Desking Subassembly	[REDACTED]	[REDACTED]	[REDACTED]	[REDACTED]	1
3	Electrical Jumper Assembly	[REDACTED]	[REDACTED]	[REDACTED]	[REDACTED]	1
4	Credenza Assembly	[REDACTED]	[REDACTED]	[REDACTED]	[REDACTED]	1



Project #: [Redacted]

P.O. #: [Redacted]

Item #: **Line 6 BOM**

Title: Height Adjustable Workstation 4-pack

Model: **Approvals**

Designer: **DMC**

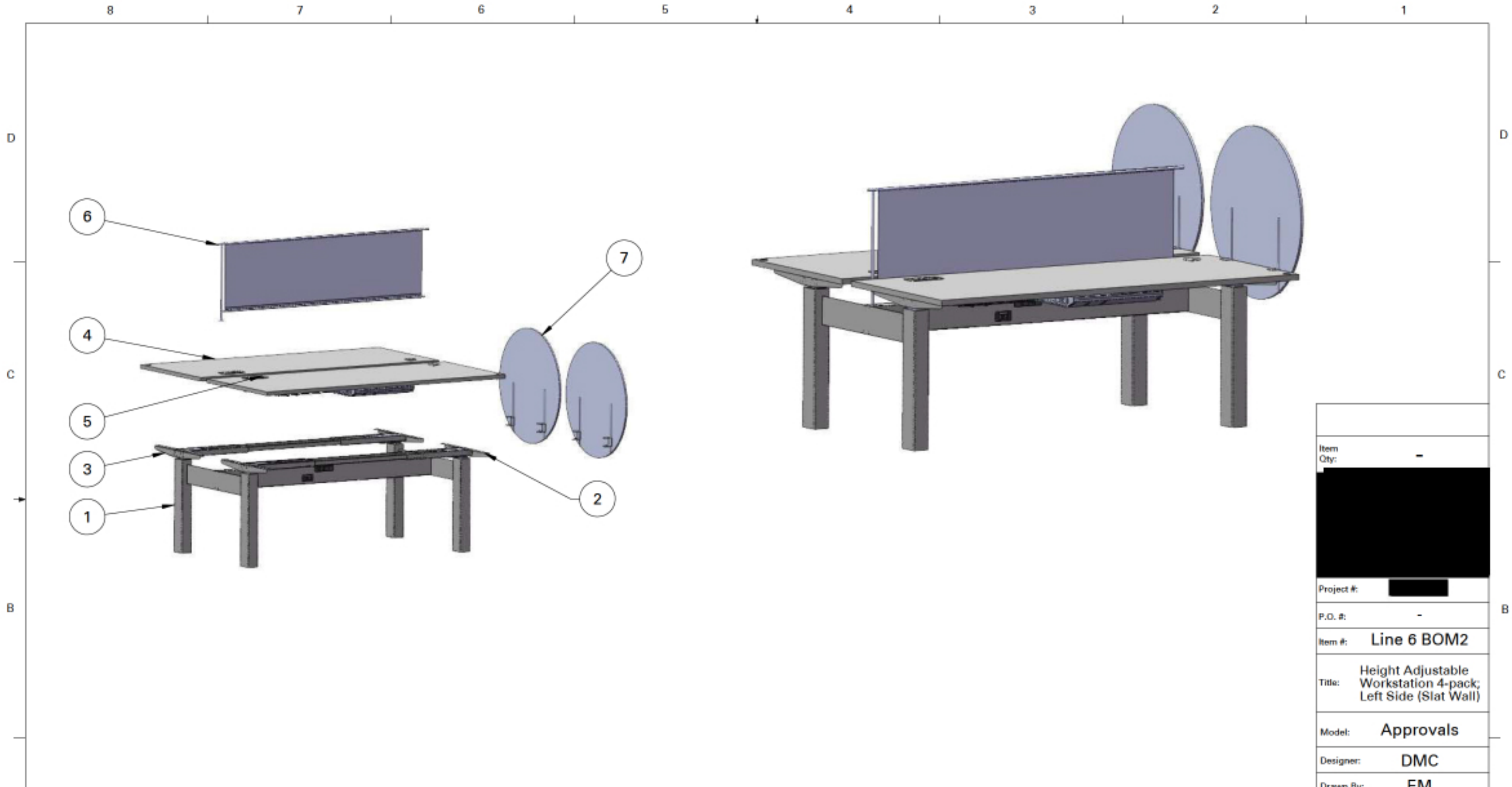
Drawn By: **EM**

Rev / By: - / -

DATE / NOTE: - / -

Date: **1/7/2022**

ITEM NO.	DESCRIPTION	MATERIAL	FINISH	LAMINATE	TAG	QTY ON PAGE
1	Slat Wall Desking Subassembly	[Redacted]	[Redacted]	[Redacted]	[Redacted]	1
2	Grid Wall Desking Subassembly	[Redacted]	[Redacted]	[Redacted]	[Redacted]	1
3	Electrical Jumper Assembly	[Redacted]	[Redacted]	[Redacted]	[Redacted]	1
4	Undermount black metal bag hook	[Redacted]	[Redacted]	[Redacted]	[Redacted]	4

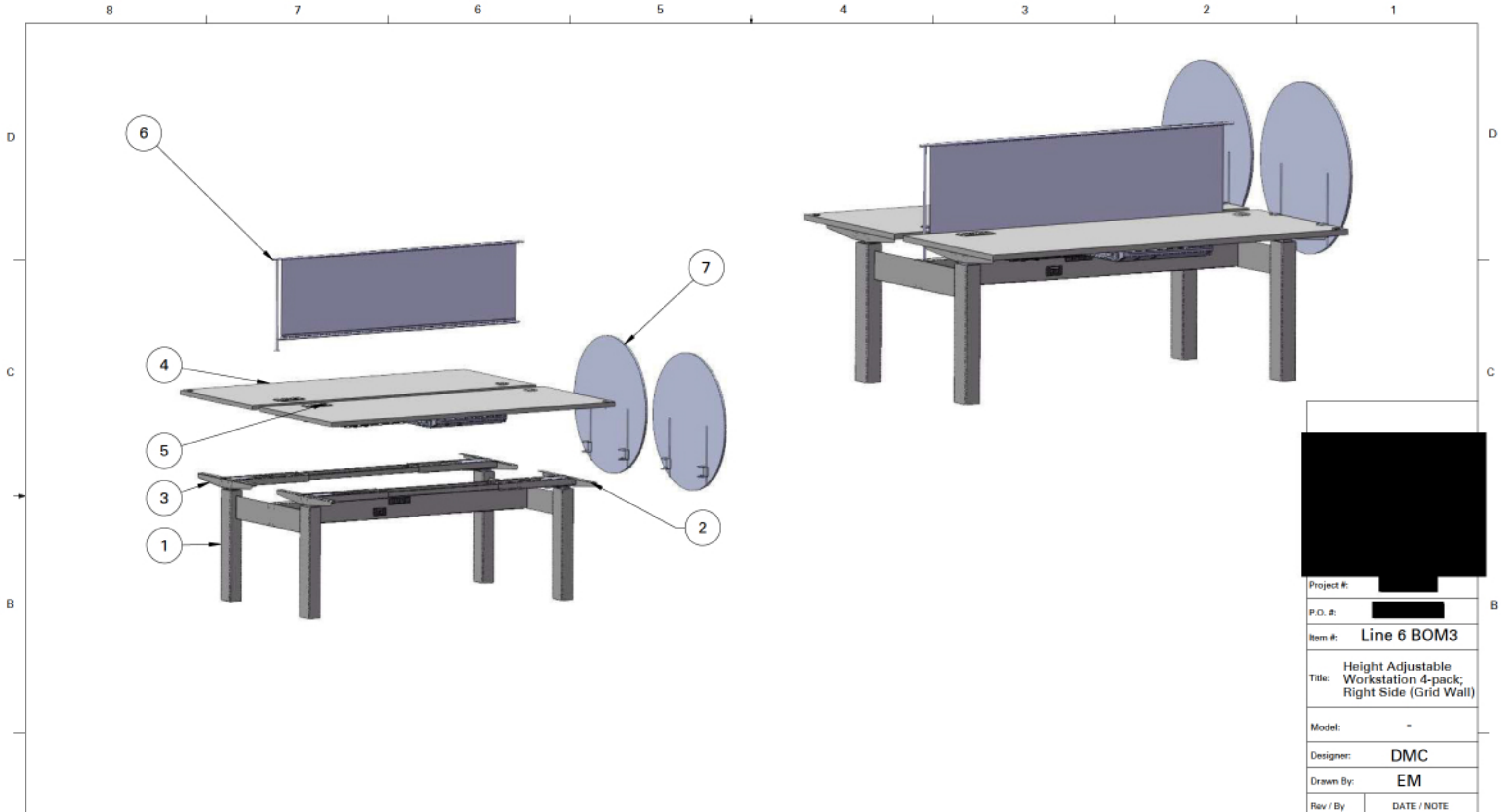


Item Qty:	-
Project #:	[REDACTED]
P.O. #:	-
Item #:	Line 6 BOM2
Title:	Height Adjustable Workstation 4-pack; Left Side (Slat Wall)
Model:	Approvals
Designer:	DMC
Drawn By:	EM

ITEM NO.	DESCRIPTION	MATERIAL	FINISH	LAMINATE	TAG	QTY ON PAGE	Rev / By	DATE / NOTE
1	Power Beam Assembly End-Slat Wall	[REDACTED]	[REDACTED]	[REDACTED]	[REDACTED]	1	-	-
2	Lifting Leg Assembly Right	[REDACTED]	[REDACTED]	[REDACTED]	[REDACTED]	1	-	-
3	Lifting Leg Assembly Left	[REDACTED]	[REDACTED]	[REDACTED]	[REDACTED]	1		
4	WS Desktop Assembly Left	[REDACTED]	[REDACTED]	[REDACTED]	[REDACTED]	1		
5	WS Desktop Assembly Right	[REDACTED]	[REDACTED]	[REDACTED]	[REDACTED]	1		
6	Divider Panel Screen	[REDACTED]	[REDACTED]	[REDACTED]	[REDACTED]	1		
7	Ø30° Side Screen Dividers	[REDACTED]	[REDACTED]	[REDACTED]	[REDACTED]	2		

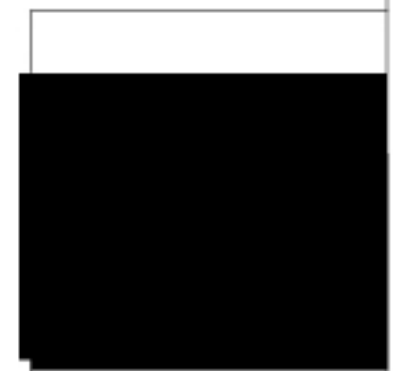
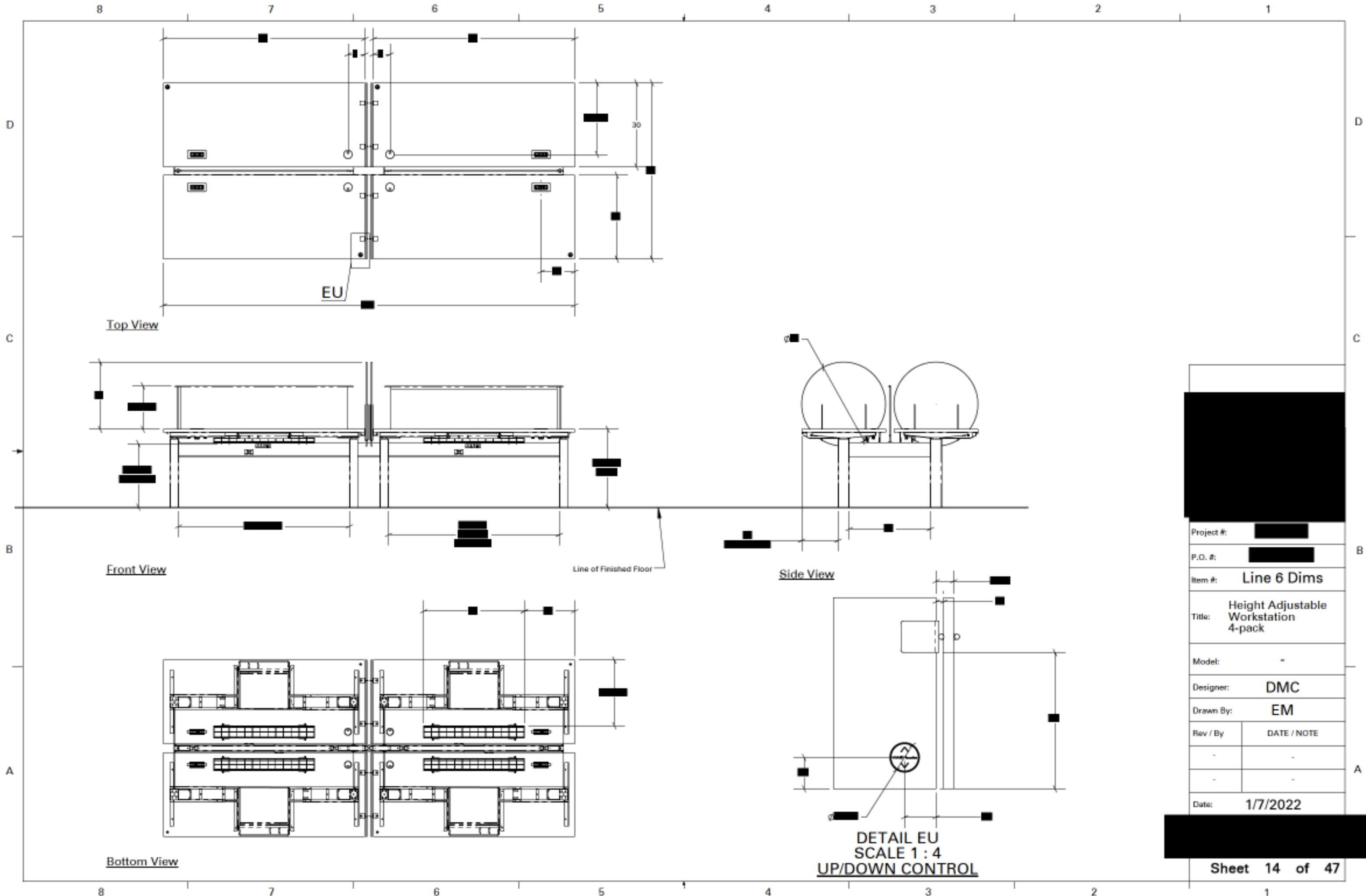
Date: 1/7/2022

Sheet 12 of 47



Project #:	[REDACTED]
P.O. #:	[REDACTED]
Item #:	Line 6 BOM3
Title:	Height Adjustable Workstation 4-pack; Right Side (Grid Wall)
Model:	-
Designer:	DMC
Drawn By:	EM
Rev / By	DATE / NOTE
-	-
-	-
Date:	[REDACTED]

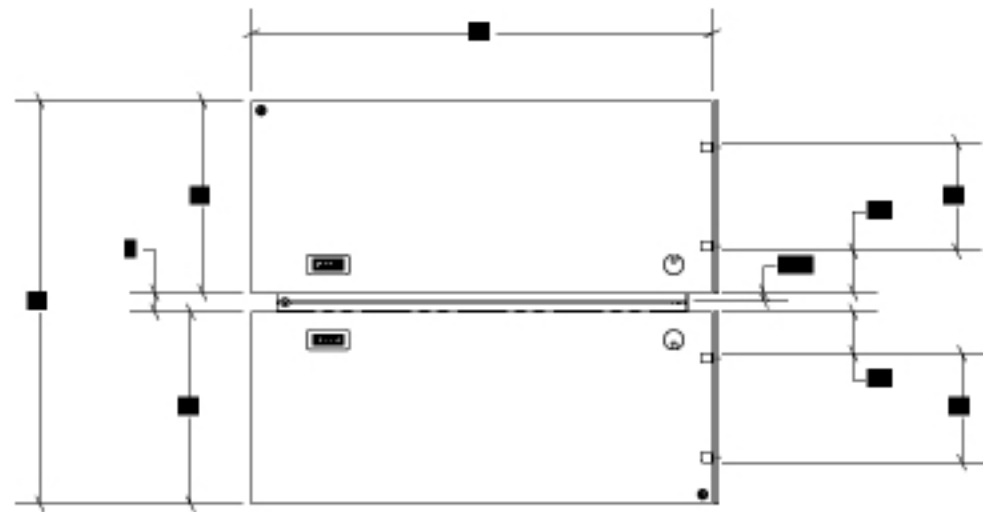
ITEM NO.	DESCRIPTION	MATERIAL	FINISH	LAMINATE	TAG	QTY ON
1	Power Beam Assembly End-Grid Wall	[REDACTED]	[REDACTED]	[REDACTED]	[REDACTED]	[REDACTED]
2	Lifting Leg Assembly Right	[REDACTED]	[REDACTED]	[REDACTED]	[REDACTED]	[REDACTED]
3	Lifting Leg Assembly Left	[REDACTED]	[REDACTED]	[REDACTED]	[REDACTED]	[REDACTED]
4	WS Desktop Assembly Left	[REDACTED]	[REDACTED]	[REDACTED]	[REDACTED]	[REDACTED]
5	WS Desktop Assembly Right	[REDACTED]	[REDACTED]	[REDACTED]	[REDACTED]	[REDACTED]
6	Divider Panel Screen	[REDACTED]	[REDACTED]	[REDACTED]	[REDACTED]	[REDACTED]
7	Ø30° Side Screen Dividers	[REDACTED]	[REDACTED]	[REDACTED]	[REDACTED]	[REDACTED]



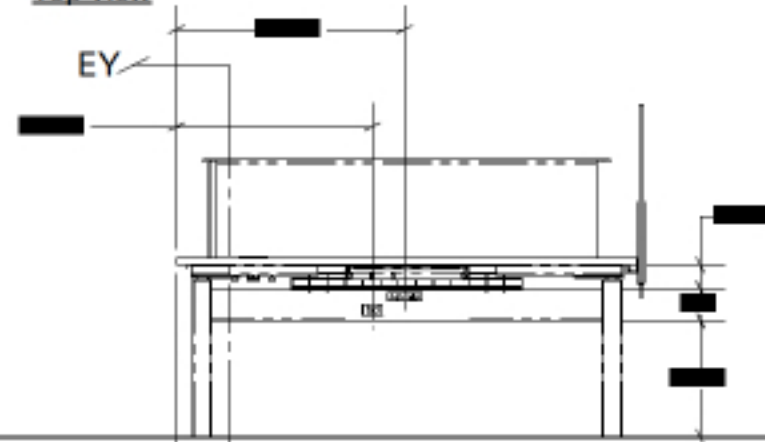
Project #:	[REDACTED]
P.O. #:	[REDACTED]
Item #:	Line 6 Dims
Title:	Height Adjustable Workstation 4-pack
Model:	-
Designer:	DMC
Drawn By:	EM
Rev / By	DATE / NOTE
-	-
-	-
Date:	1/7/2022



DETAIL EU  
SCALE 1 : 4  
UP/DOWN CONTROL

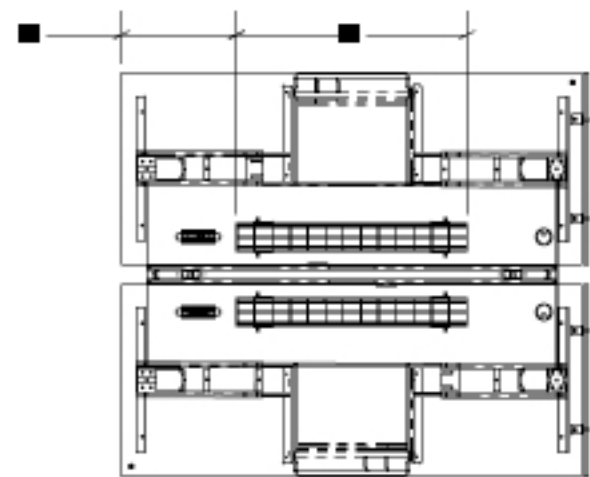


Top View

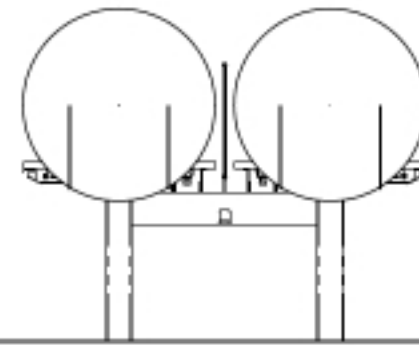


Front View

Front View

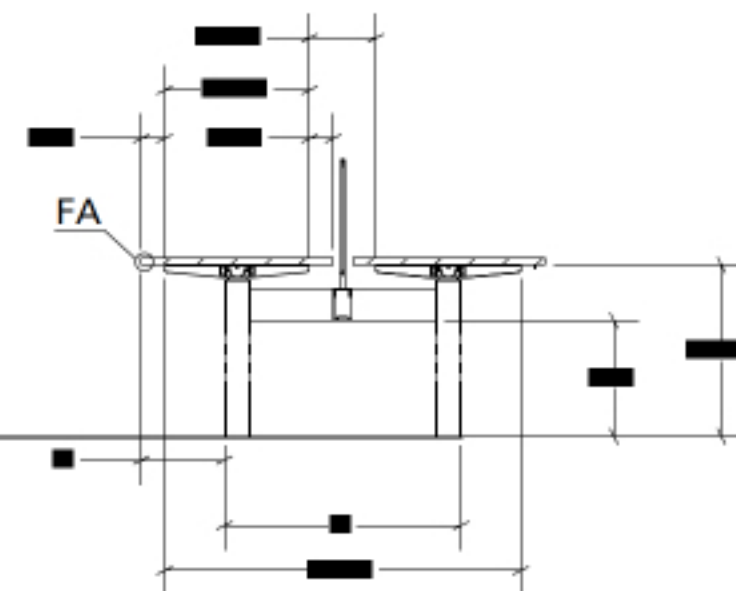


Bottom View

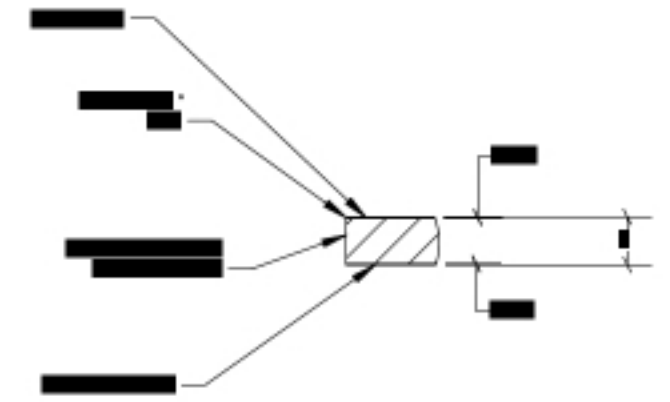


Side View

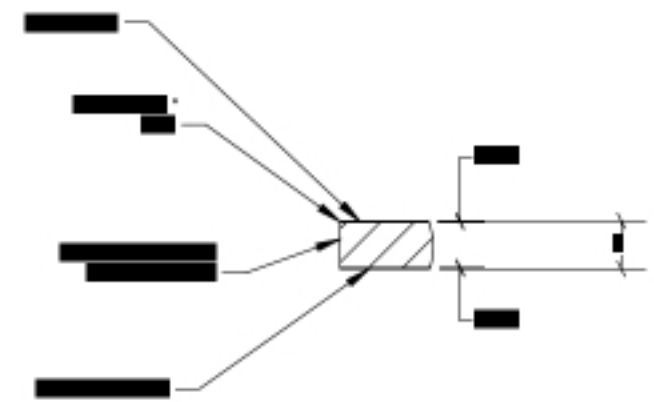
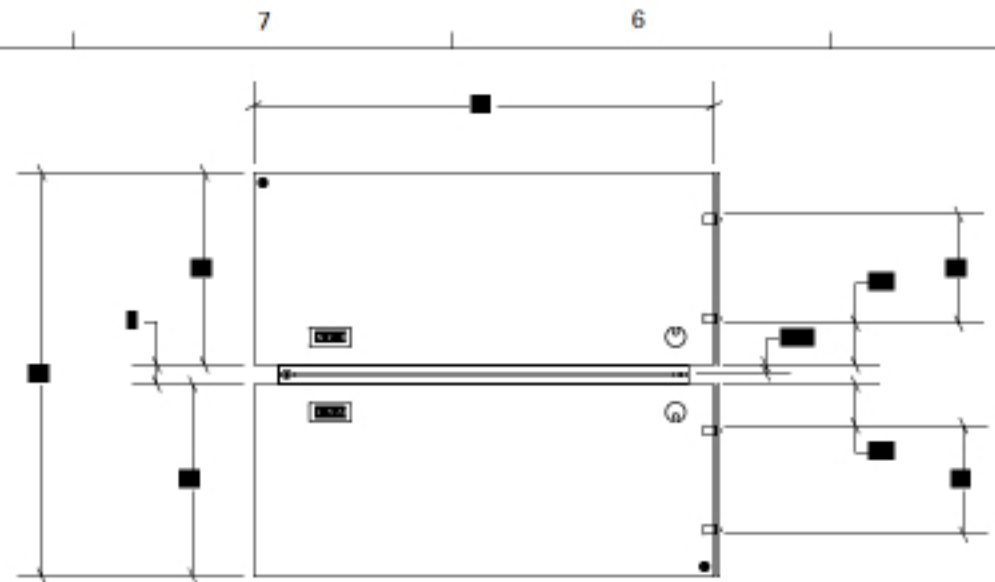
Line of Finished Floor



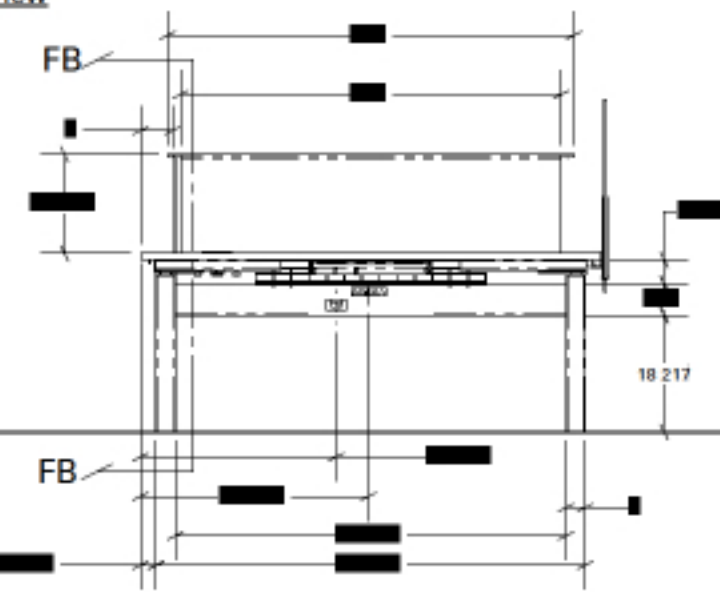
SECTION EY-EY



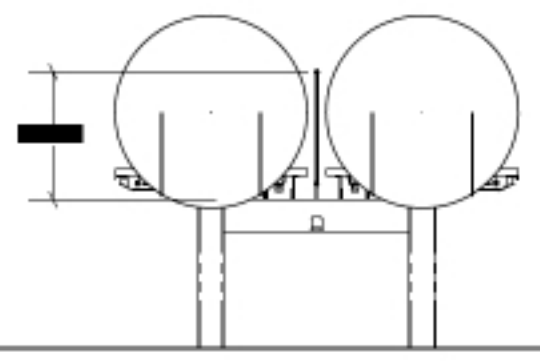
Project #:	[REDACTED]
P.O. #:	[REDACTED]
Item #:	Line 6 Dims2
Title:	Height Adjustable Workstation 4-pack; Right Side (Grid Wall)
Model:	-
Designer:	DMC
Drawn By:	EM
Rev / By	DATE / NOTE
-	-
-	-
Date:	1/7/2022



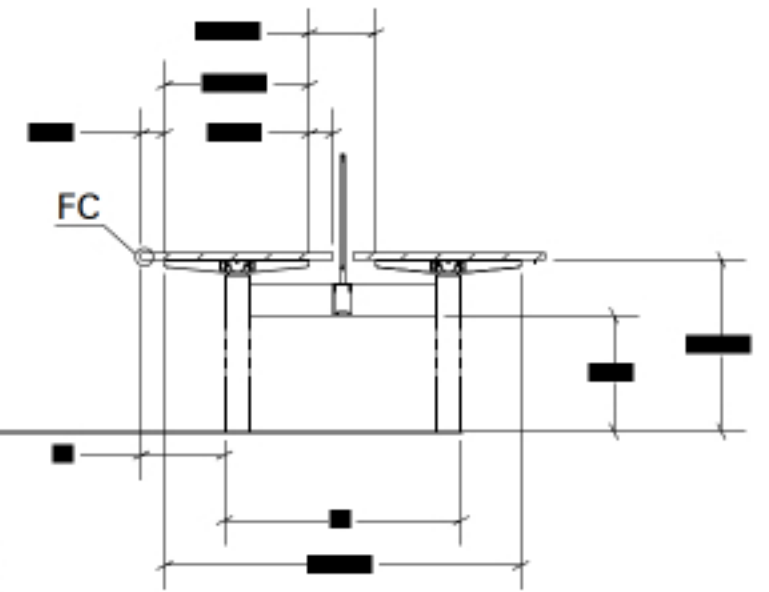
Top View



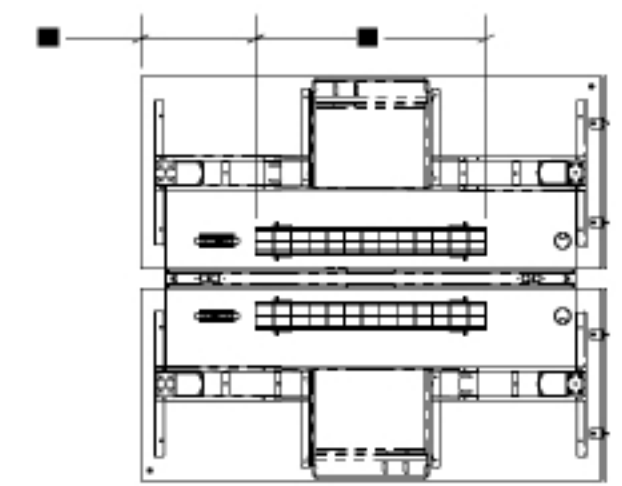
Front View



Side View



SECTION FB-FB

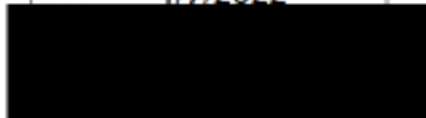


Bottom View

Line of Finished Floor

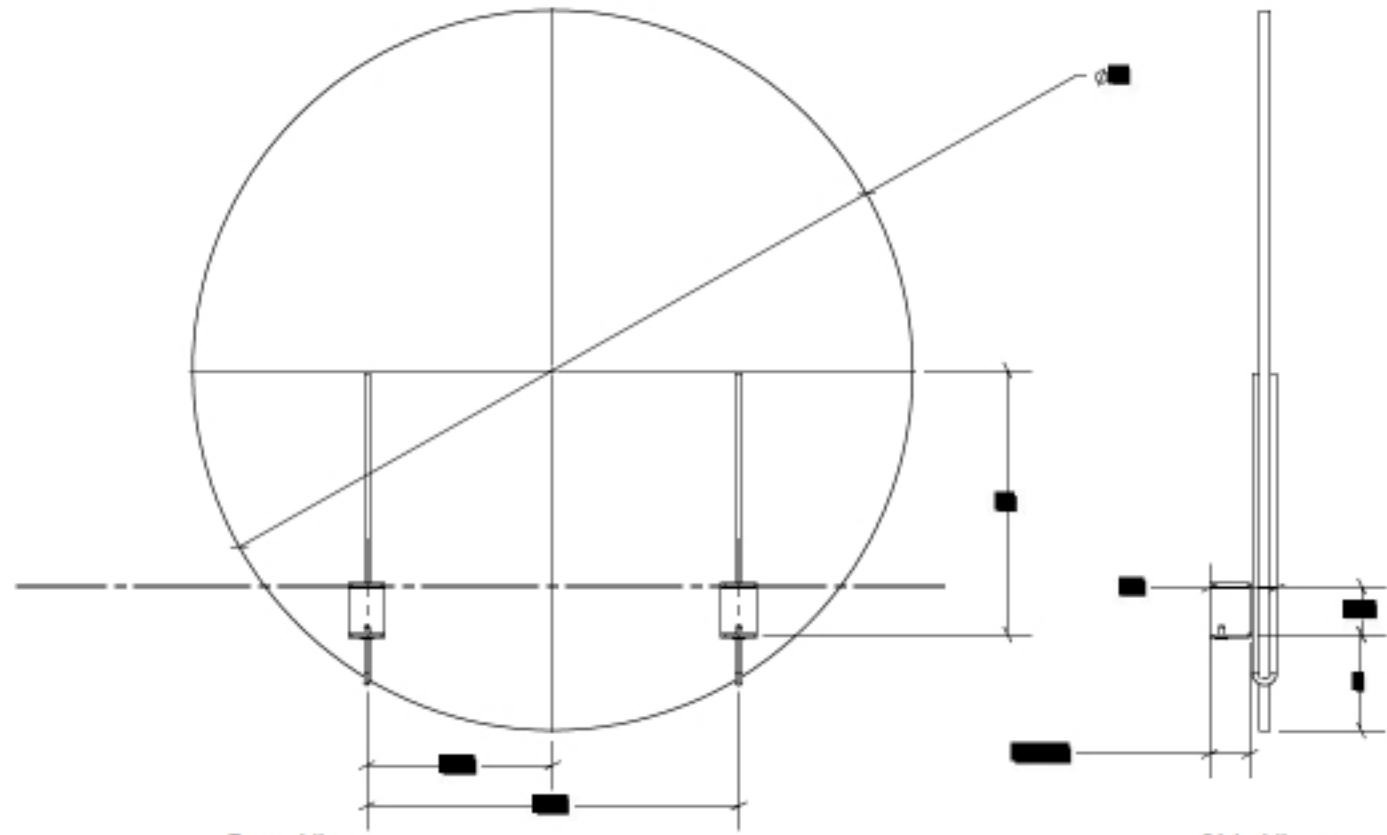
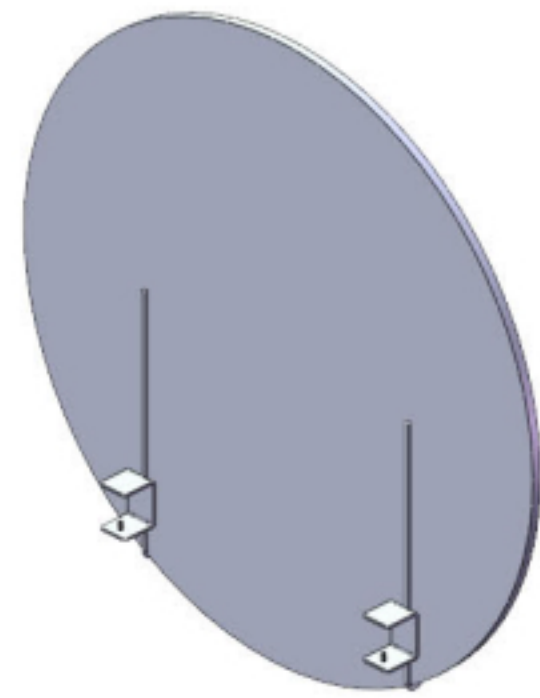


Project #:	[Redacted]
P.O. #:	[Redacted]
Item #:	Line 6 Dims3
Title:	Height Adjustable Workstation 4-pack; Left Side (Slat Wall)
Model:	-
Designer:	DMC
Drawn By:	EM
Rev / By	DATE / NOTE
-	-
-	-
Date:	1/7/2022





Top View



Front View

Side View



Project #:	[Redacted]
P.O. #:	[Redacted]
Item #:	Line 8 BOM
Title:	Side Screen
Model:	Approvals
Designer:	DMC
Drawn By:	EM
Rev / By	DATE / NOTE
-	-
-	-
Date:	1/7/2022

ITEM NO.	DESCRIPTION	MATERIAL	FINISH	LAMINATE	TAG	QTY ON
1	Ø30" Polyfelt Screen	[Redacted]	[Redacted]	[Redacted]	[Redacted]	[Redacted]
2	Side Divider Bracket	[Redacted]	[Redacted]	[Redacted]	[Redacted]	[Redacted]
3	1/4"-20 13mm Decorative Head Bolt	[Redacted]	[Redacted]	[Redacted]	[Redacted]	[Redacted]

8 7 6 5 4 3 2 1

D

D

C

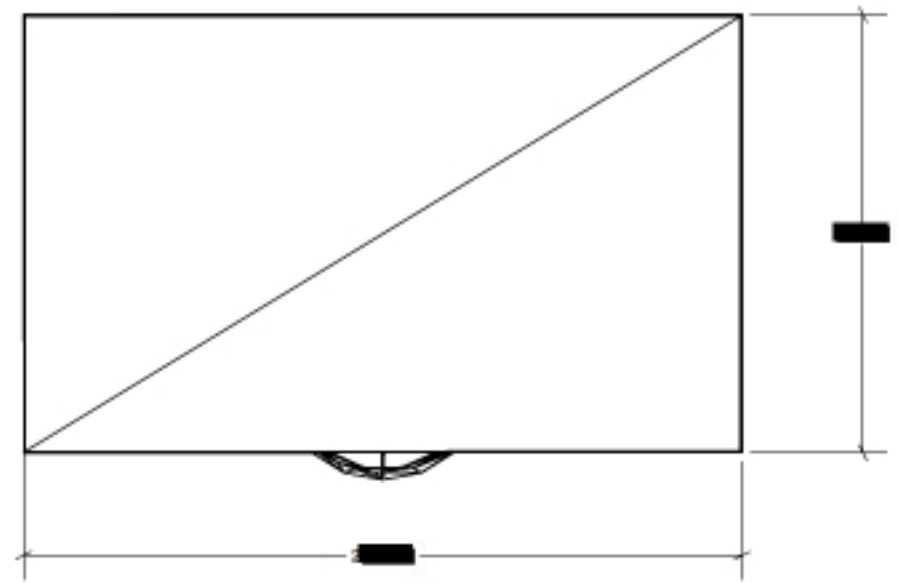
C

B

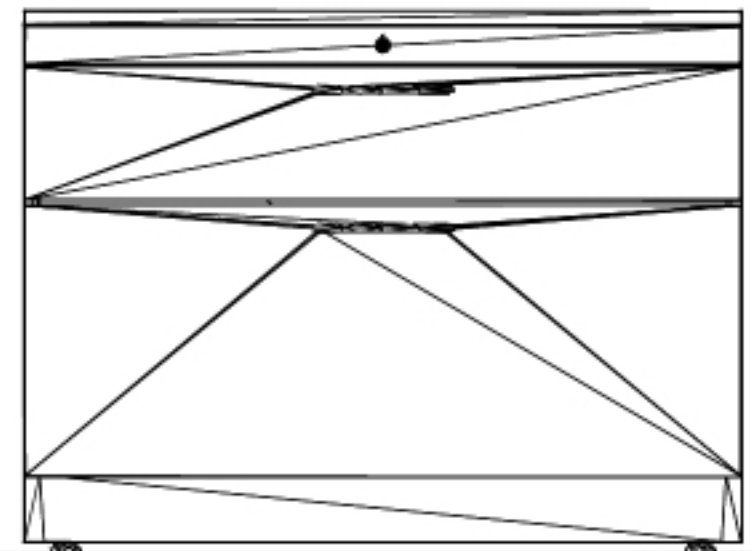
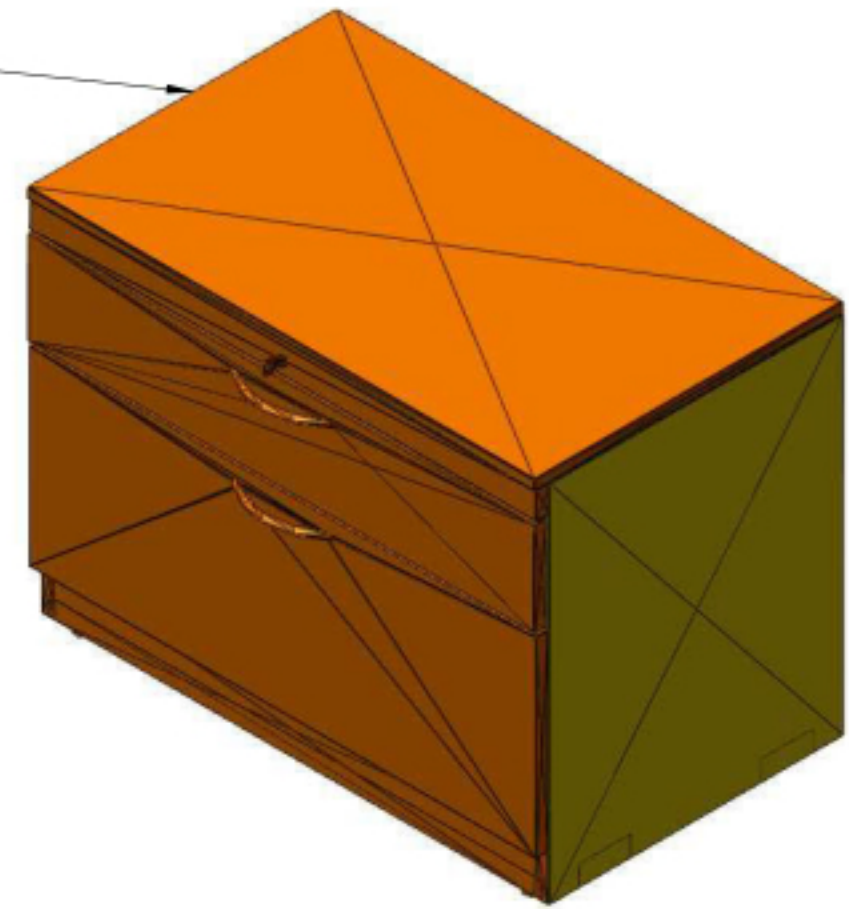
B

A

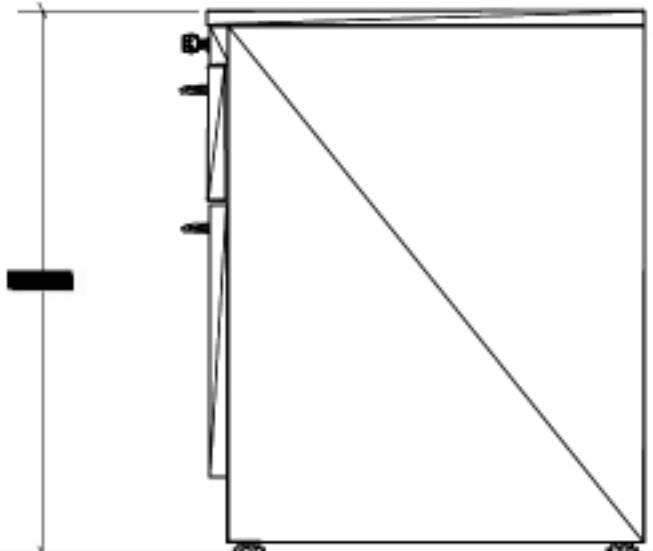
A



Top View



Front View



Side View

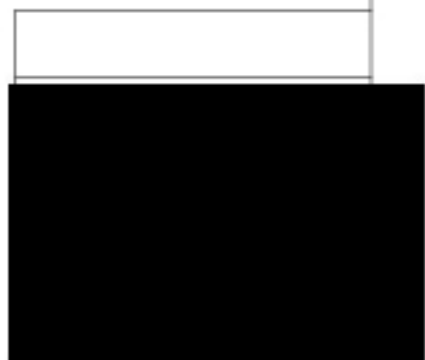
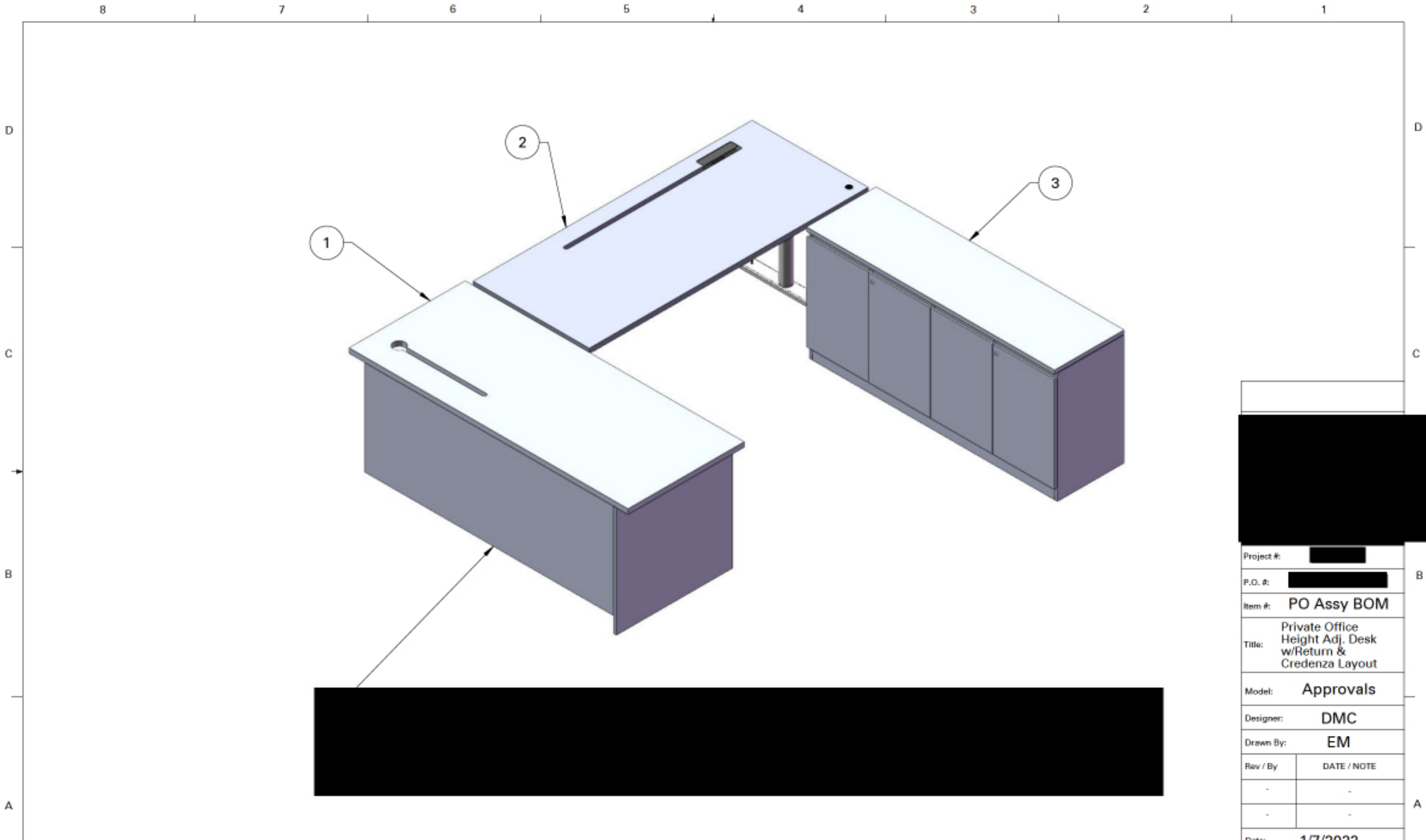
Line of Finished Floor



Project #:	[Redacted]
P.O. #:	[Redacted]
Item #:	Line 9 BOM
Title:	Low Lateral Box/File Unit
Model:	Approvals
Designer:	DMC
Drawn By:	EM
Rev / By	DATE / NOTE
-	-
-	-
Date:	1/7/2022

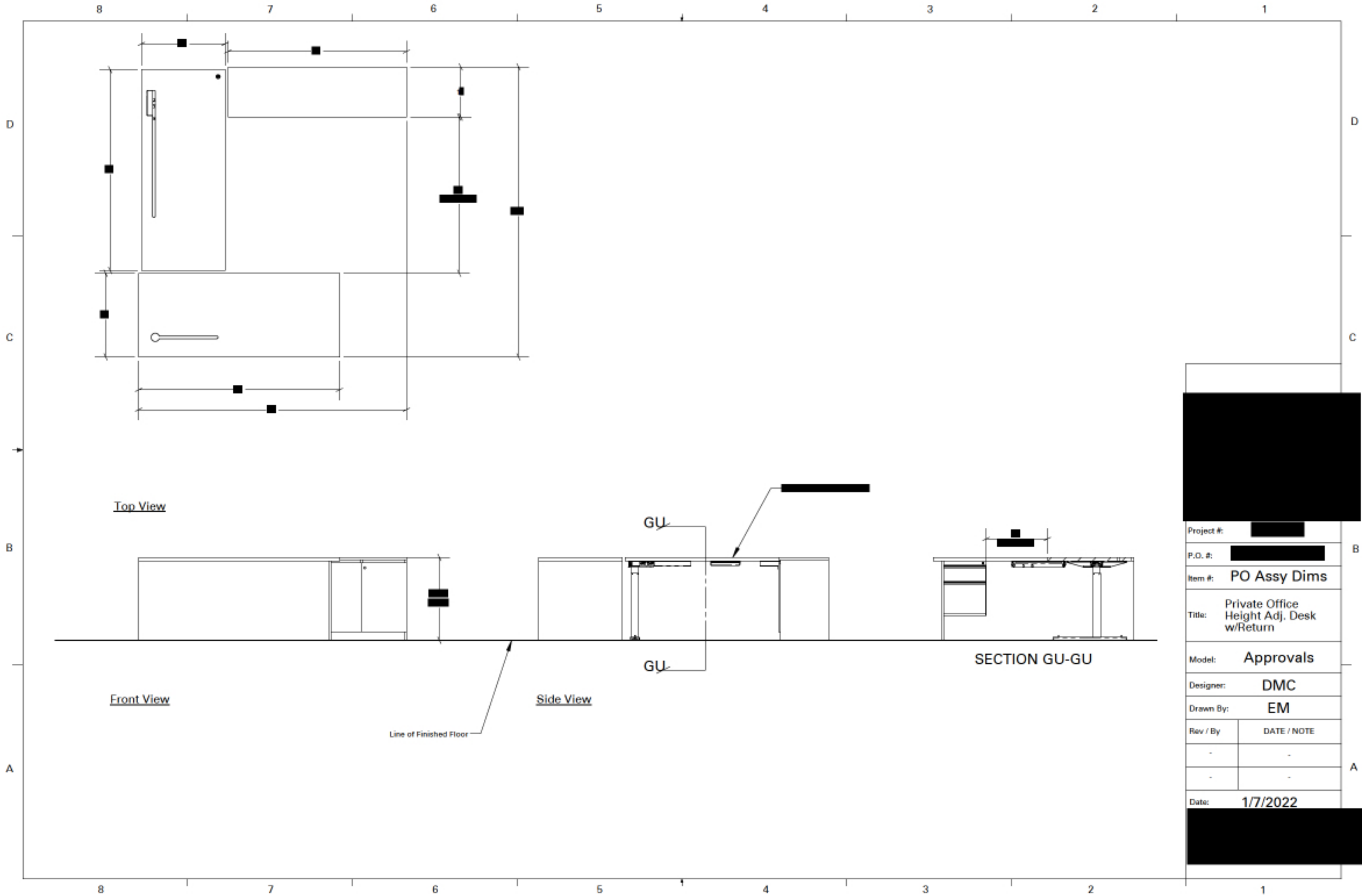
ITEM NO.	DESCRIPTION	MATERIAL	FINISH	LAMINATE	TAG	QTY ON PAGE
1	Low Lateral Box/File Unit					1

8 7 6 5 4 3 2 1



Project #: [REDACTED]  
 P.O. #: [REDACTED]  
 Item #: PO Assy BOM  
 Title: Private Office Height Adj. Desk w/Return & Credenza Layout  
 Model: Approvals  
 Designer: DMC  
 Drawn By: EM  
 Rev / By: DATE / NOTE  
 - -  
 - -  
 Date: 1/7/2022

ITEM NO.	DESCRIPTION	MATERIAL	FINISH	LAMINATE	TAG	QTY ON PAGE
1	PO Return Desk					1
2	PO Height Adjustable Desk (FLO)					1
3	PO Credenza					1



Project #:	[Redacted]
P.O. #:	[Redacted]
Item #:	PO Assy Dims
Title:	Private Office Height Adj. Desk w/Return
Model:	Approvals
Designer:	DMC
Drawn By:	EM
Rev / By	DATE / NOTE
-	-
-	-

Date: 1/7/2022

D

D

C

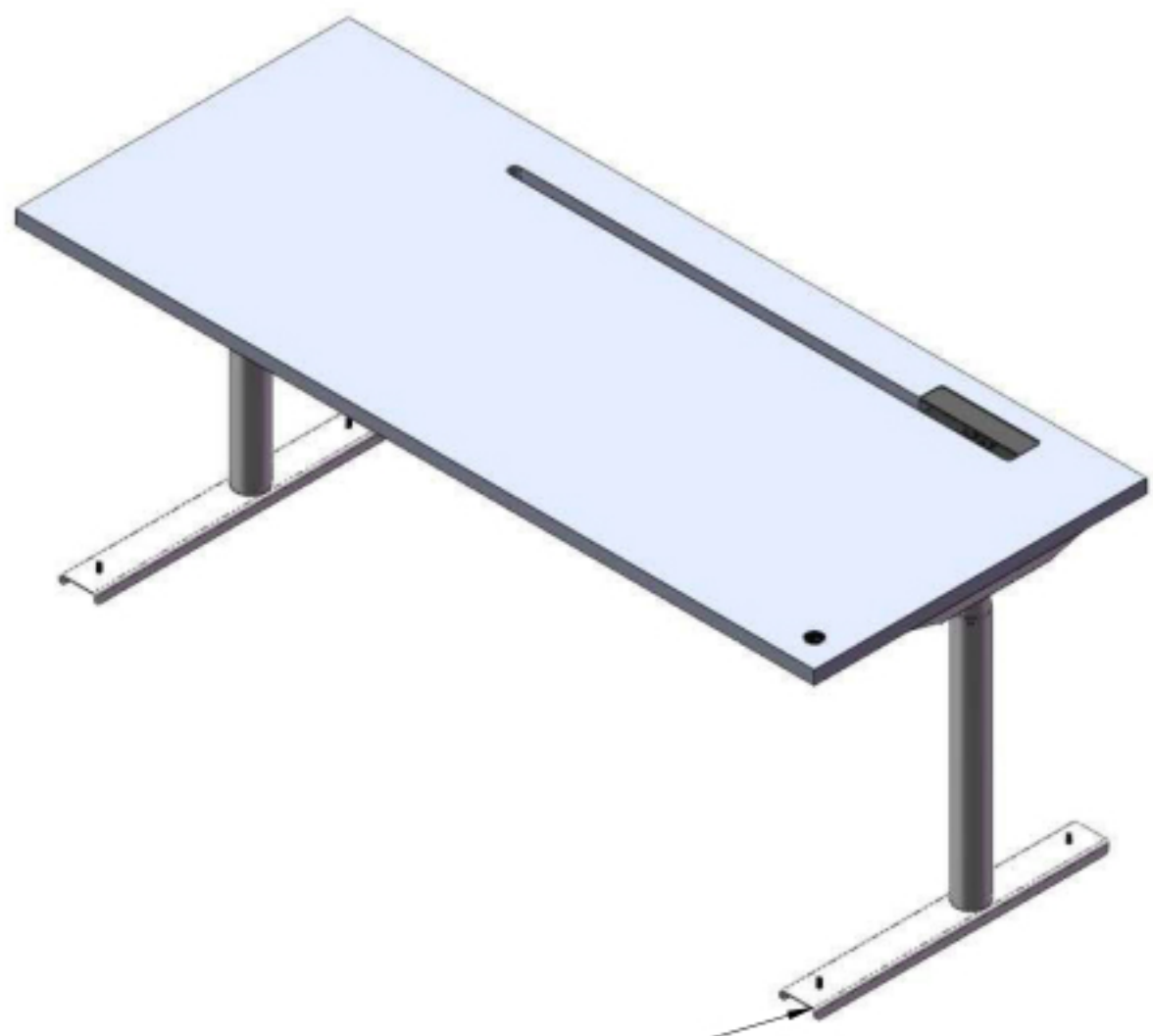
C

B

B

A

A



Project #: [Redacted]

P.O. #: [Redacted]

Item #: **Line12 BOM2**

Title: **Height Adjustable PO** [Redacted]

Model: **Approvals**

Designer: **DMC**

Drawn By: **EM**

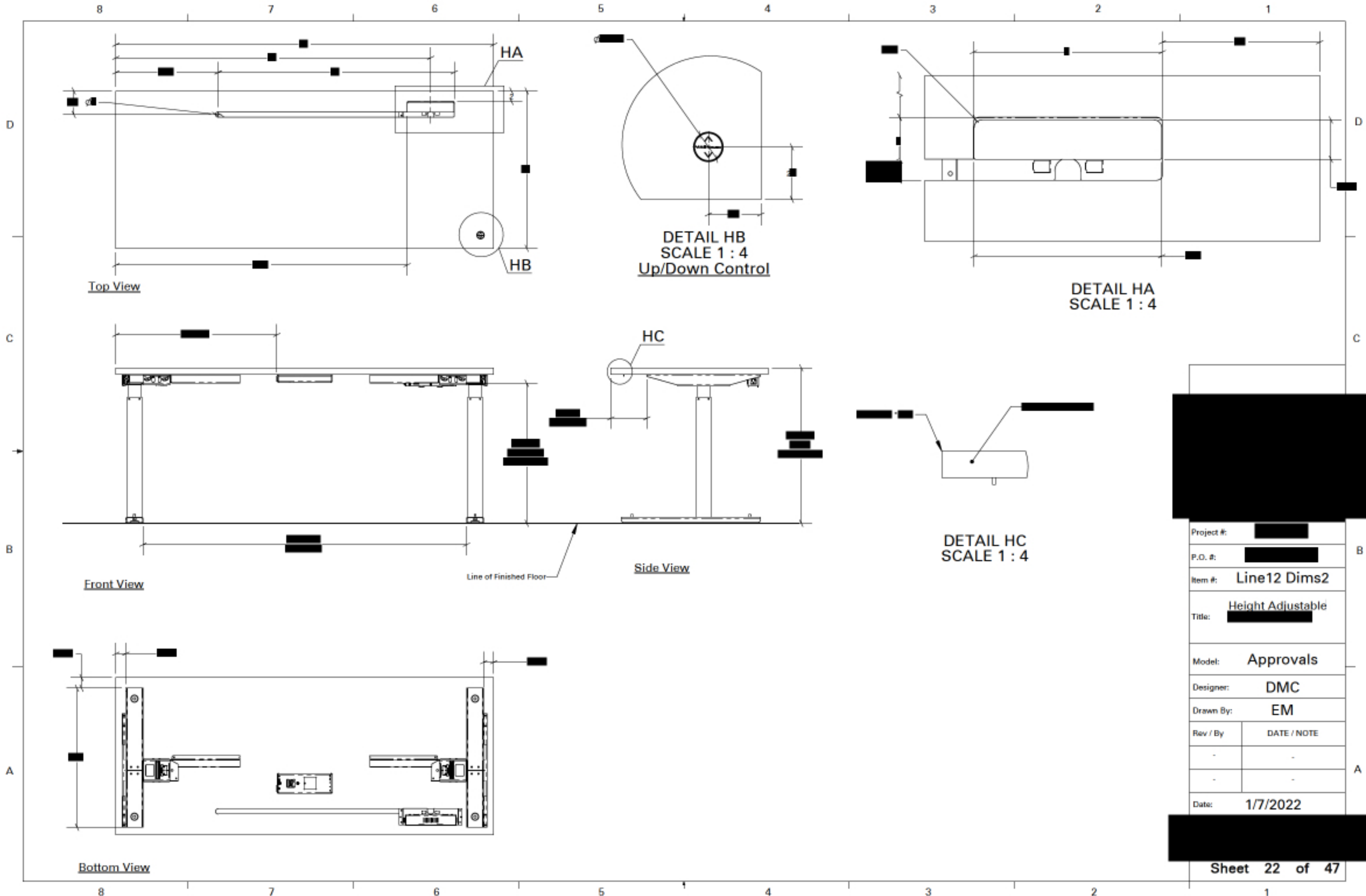
Rev / By      DATE / NOTE

-                      -

-                      -

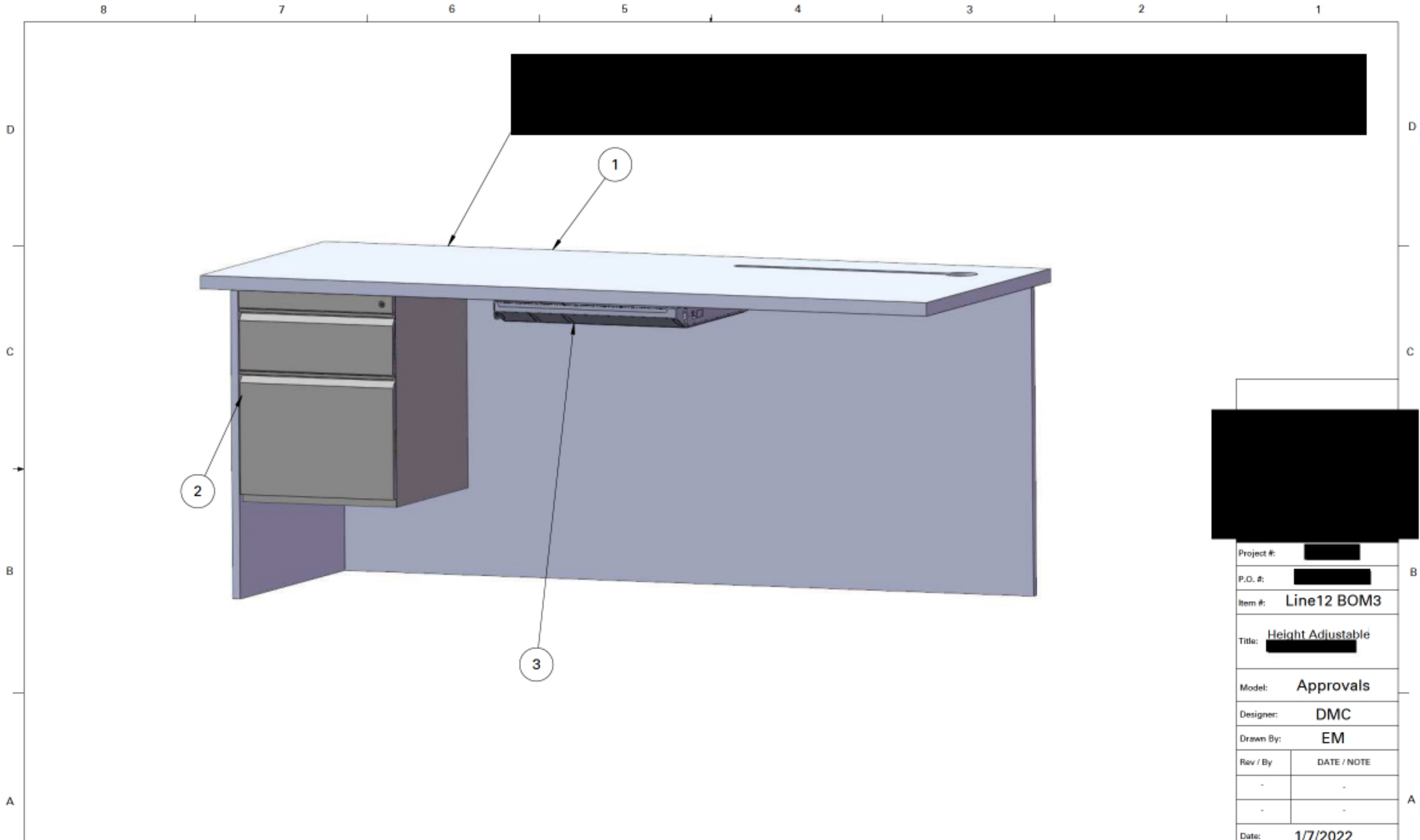
Date: **1/7/2022**

ITEM NO.	DESCRIPTION	MATERIAL	FINISH	LAMINATE	TAG	QTY ON
1	Lifting Column	[Redacted]	[Redacted]	[Redacted]	[Redacted]	[Redacted]
2	Private Office FLO Desk Top	[Redacted]	[Redacted]	[Redacted]	[Redacted]	[Redacted]
3	[Redacted] 4-Channel Motor Control Box	[Redacted]	[Redacted]	[Redacted]	[Redacted]	[Redacted]
4	[Redacted]	[Redacted]	[Redacted]	[Redacted]	[Redacted]	[Redacted]
5	In-Surface Up/Down Controller	[Redacted]	[Redacted]	[Redacted]	[Redacted]	[Redacted]
6	Linak Foot	[Redacted]	[Redacted]	[Redacted]	[Redacted]	[Redacted]
7	Kick and Click Assembly	[Redacted]	[Redacted]	[Redacted]	[Redacted]	[Redacted]
8	[Redacted] 5 Power [Redacted]	[Redacted]	[Redacted]	[Redacted]	[Redacted]	[Redacted]
9	Single Flip Lid	[Redacted]	[Redacted]	[Redacted]	[Redacted]	[Redacted]



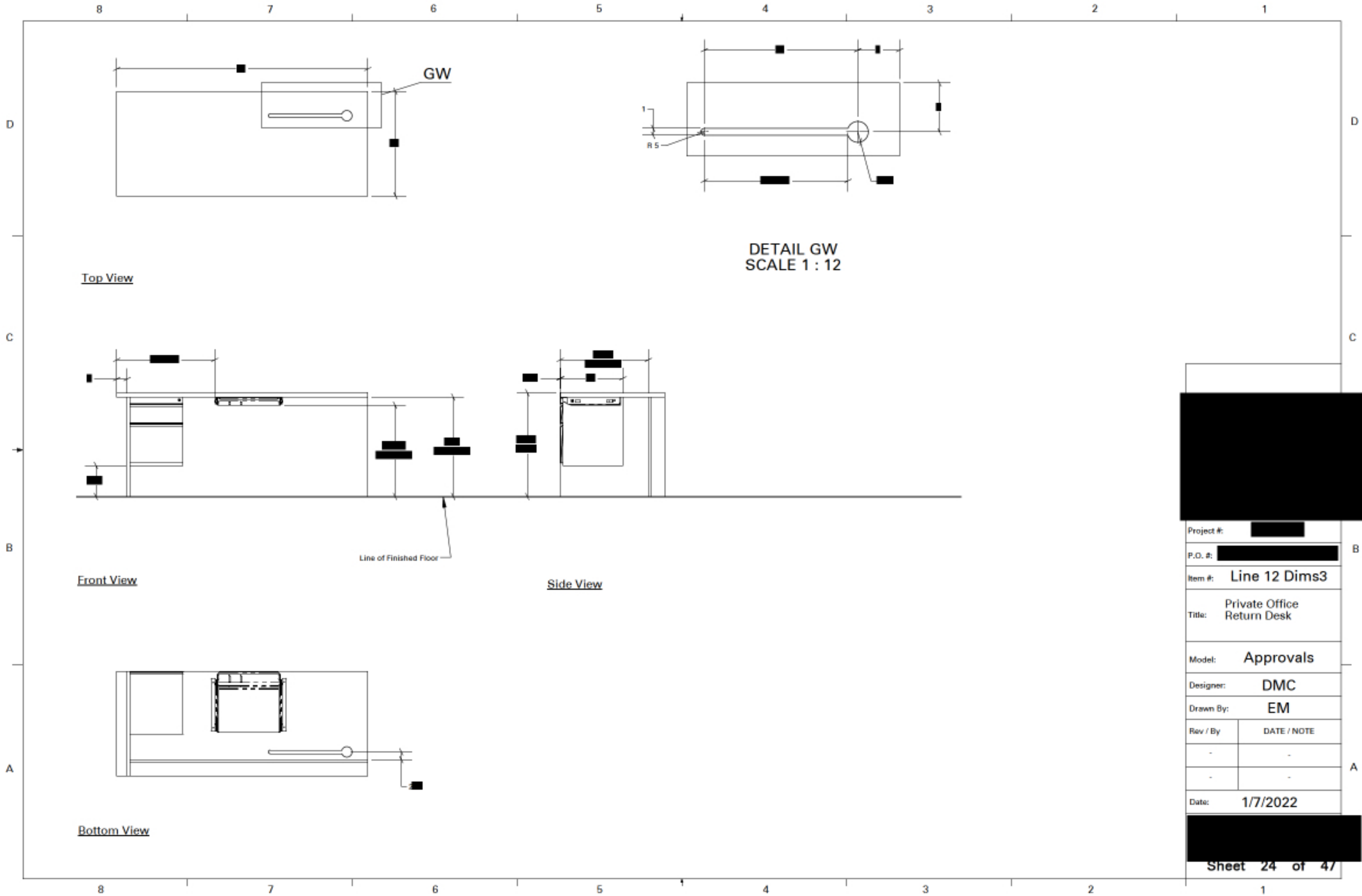
Project #:	[REDACTED]
P.O. #:	[REDACTED]
Item #:	Line12 Dims2
Title:	Height Adjustable [REDACTED]
Model:	Approvals
Designer:	DMC
Drawn By:	EM
Rev / By	DATE / NOTE
-	-
-	-
Date:	1/7/2022





Project #: [Redacted]  
 P.O. #: [Redacted]  
 Item #: **Line12 BOM3**  
 Title: **Height Adjustable**  
 Model: **Approvals**  
 Designer: **DMC**  
 Drawn By: **EM**  
 Rev / By:      DATE / NOTE  
 -                      -  
 -                      -  
 Date: **1/7/2022**

ITEM NO.	DESCRIPTION	MATERIAL	FINISH	LAMINATE	TAG	QTY ON PAGE
1	PO Return Desk					1
2	Hanging Box/ File Drawer					1
3	Pencil Drawer					1



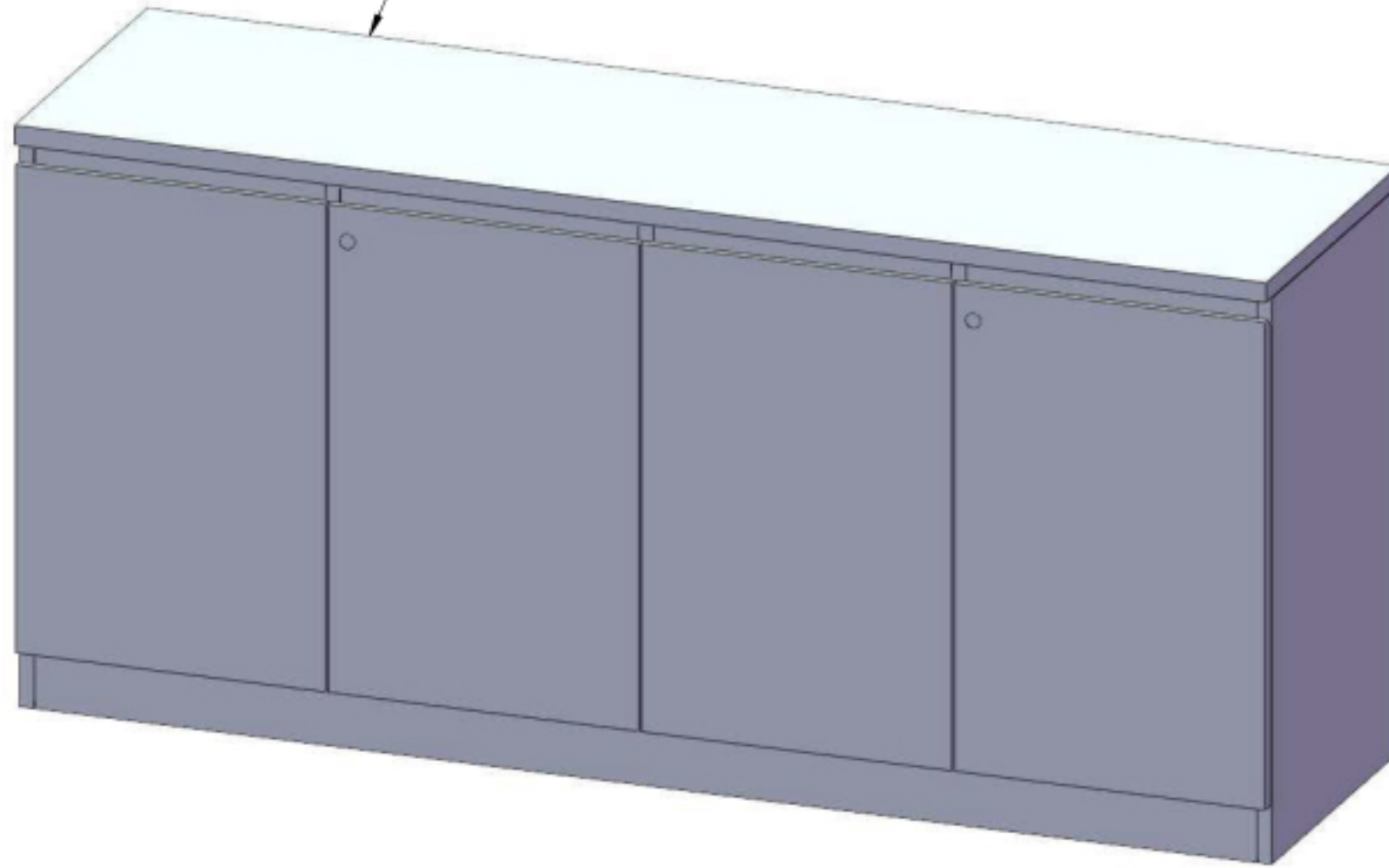
Project #:	[Redacted]
P.O. #:	[Redacted]
Item #:	Line 12 Dims3
Title:	Private Office Return Desk
Model:	Approvals
Designer:	DMC
Drawn By:	EM
Rev / By	DATE / NOTE
-	-
-	-
Date:	1/7/2022



Note:

[Redacted Note]

[Redacted Note]

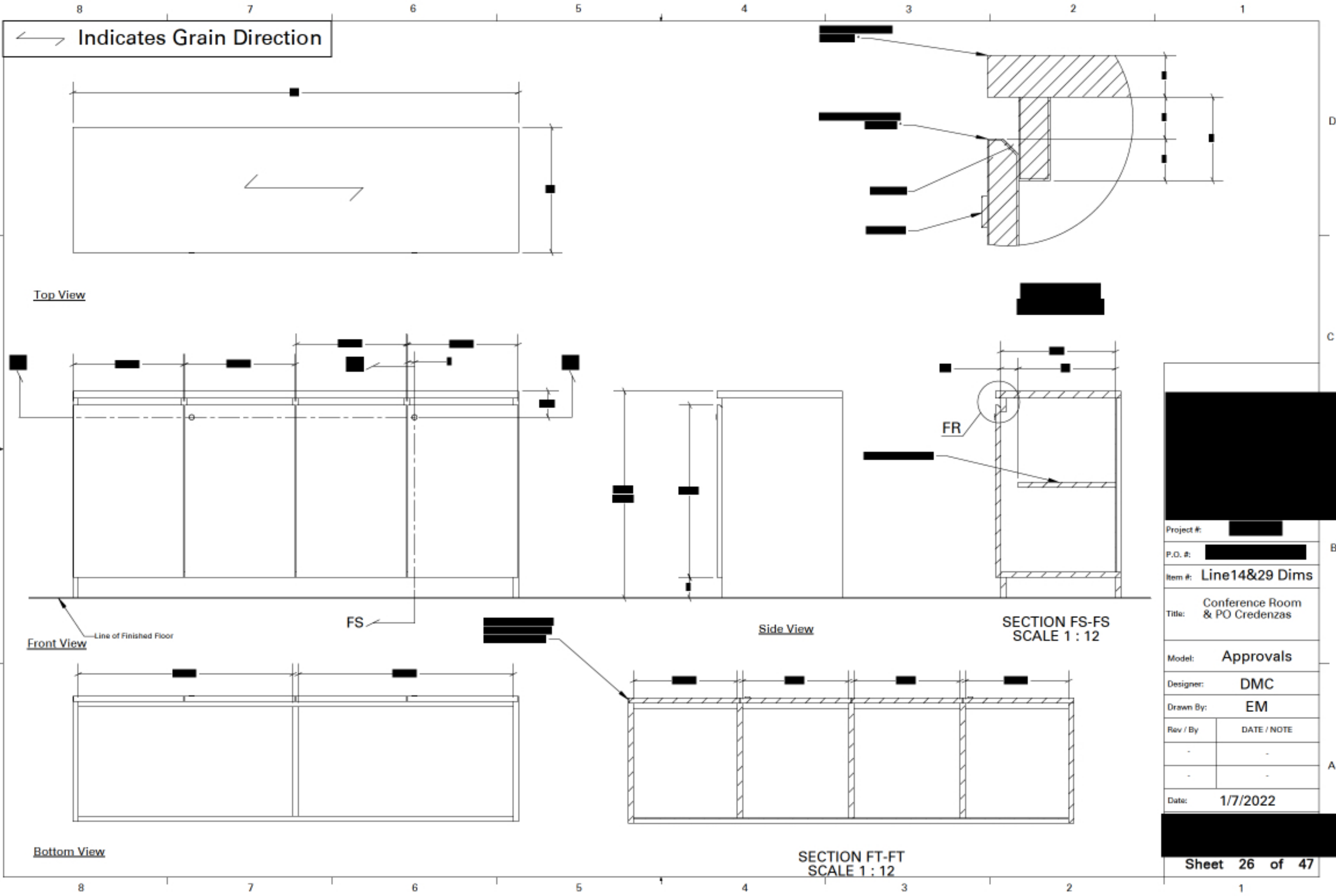


[Redacted Information]

Project #:	[Redacted]
P.O. #:	[Redacted]
Item #:	Line14&29 BOM
Title:	Conference Room & PO Credenzas
Model:	Approvals
Designer:	DMC
Drawn By:	EM
Rev / By	DATE / NOTE
-	-
-	-
Date:	1/7/2022

ITEM NO.	DESCRIPTION	MATERIAL	FINISH	LAMINATE	TAG	QTY	UNIT
1	Executive Office Credenza					1	

[Redacted Information]



← Indicates Grain Direction

Top View

Front View

Bottom View

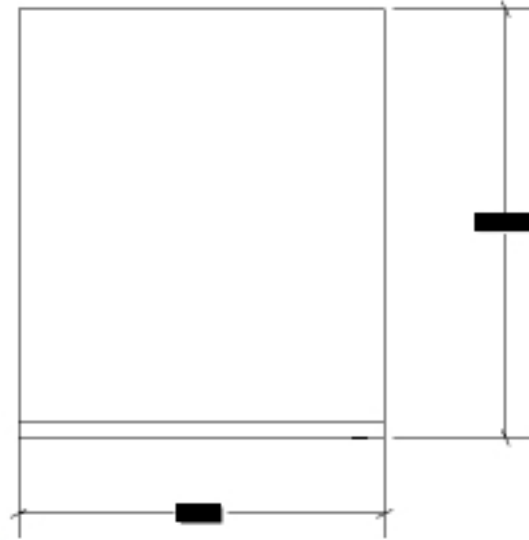
Side View

SECTION FS-FS  
SCALE 1 : 12

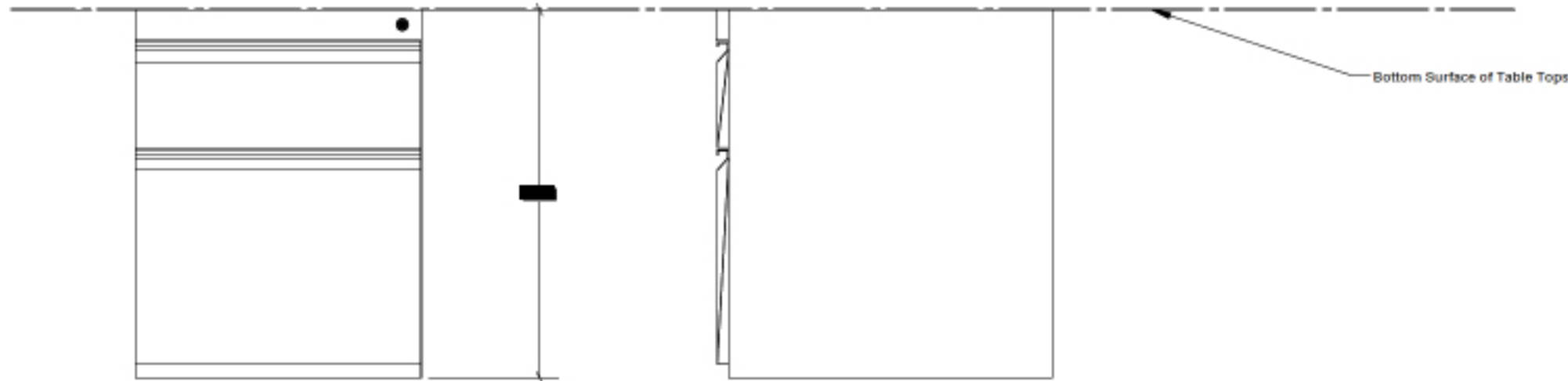
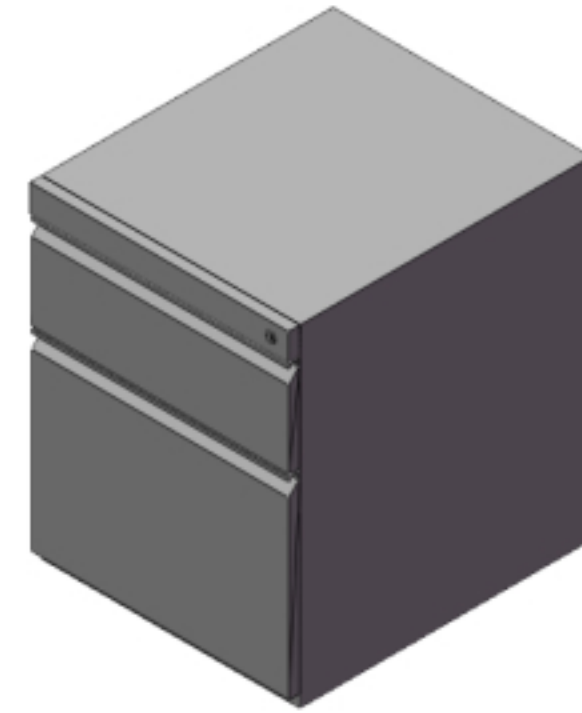
SECTION FT-FT  
SCALE 1 : 12

Project #:		[REDACTED]
P.O. #:		[REDACTED]
Item #:		Line14&29 Dims
Title:		Conference Room & PO Credenzas
Model:		Approvals
Designer:		DMC
Drawn By:		EM
Rev / By	DATE / NOTE	
-	-	
-	-	
Date:		1/7/2022

NOTE:



Top View



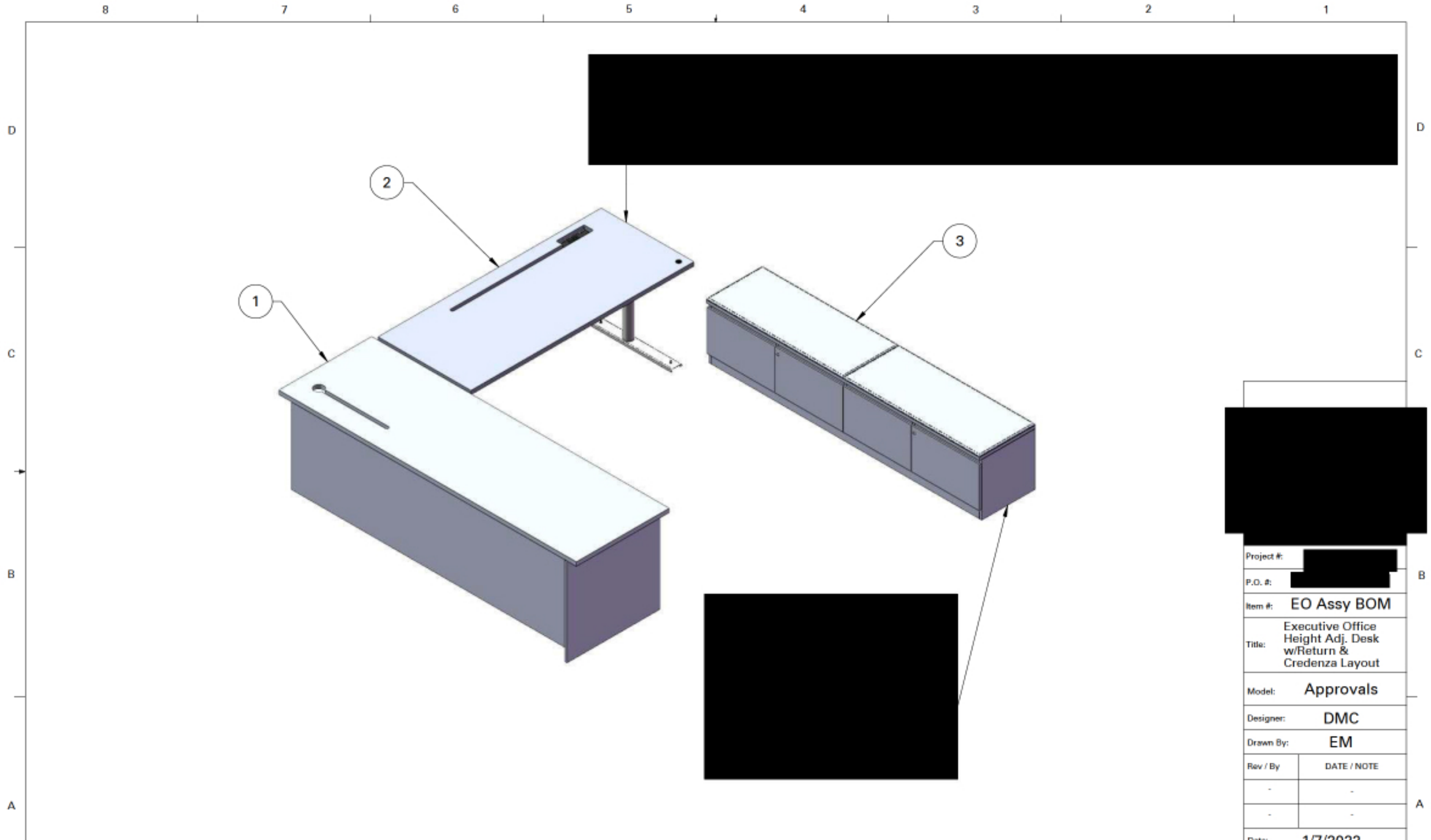
Bottom Surface of Table Tops

Front View

Side View

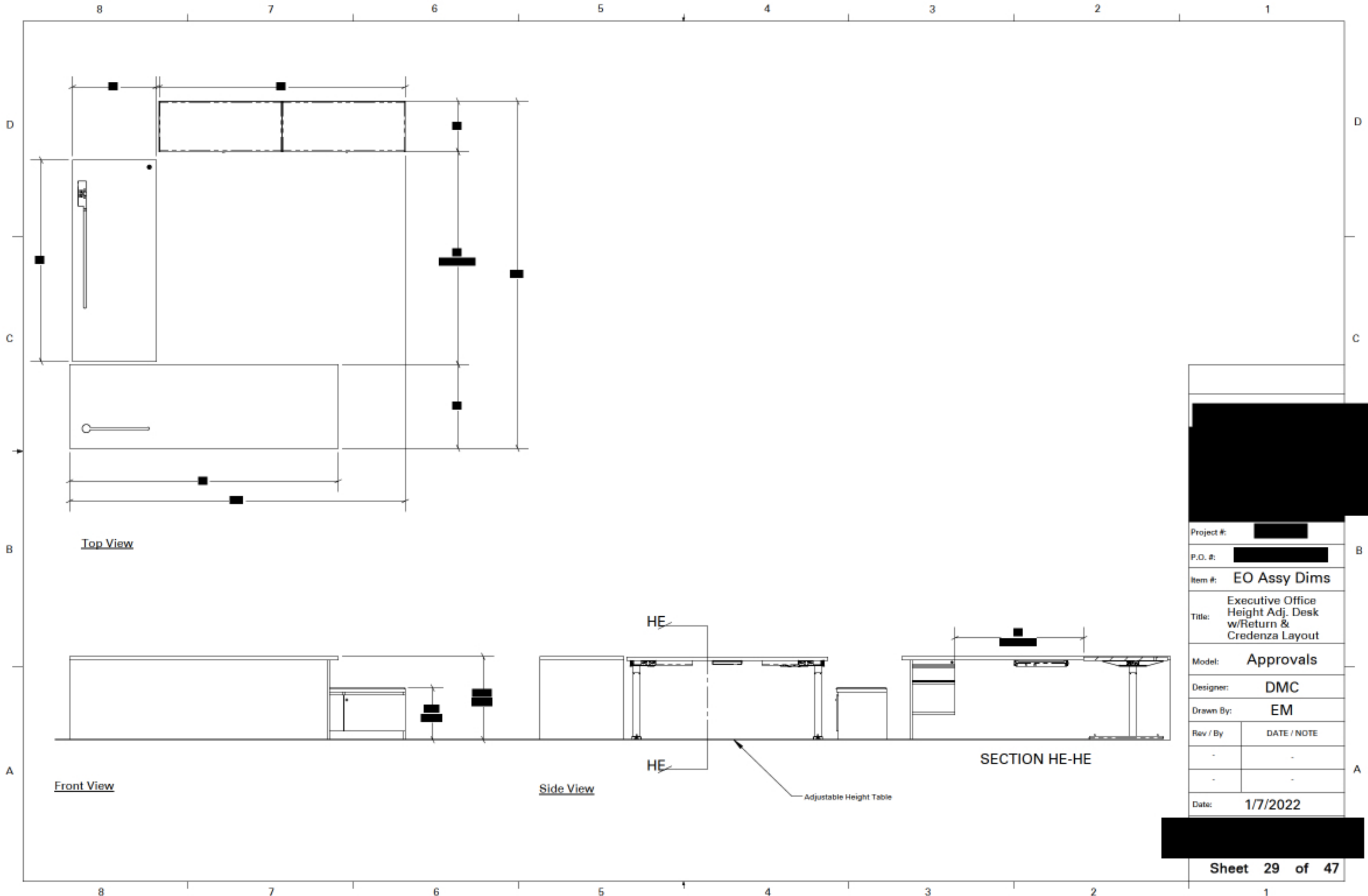
Project #:	[Redacted]
P.O. #:	[Redacted]
Item #:	Line 15&20 BOM
Title:	Hanging Box/File Unit
Model:	Approvals
Designer:	DMC
Drawn By:	EM
Rev / By	DATE / NOTE
-	-
-	-
Date:	1/7/2022





Project #:	[Redacted]
P.O. #:	[Redacted]
Item #:	EO Assy BOM
Title:	Executive Office Height Adj. Desk w/Return & Credenza Layout
Model:	Approvals
Designer:	DMC
Drawn By:	EM
Rev / By	DATE / NOTE
-	-
-	-
Date:	1/7/2022

ITEM NO.	DESCRIPTION	MATERIAL	FINISH	LAMINATE	TAG	QTY ON PAGE
1	EO Return Desk					1
2	EO Height Adjustable Desk (FLO)					1
3	EO Credenza					1



Top View

Front View

Side View

SECTION HE-HE

Adjustable Height Table

Project #:	[Redacted]
P.O. #:	[Redacted]
Item #:	EO Assy Dims
Title:	Executive Office Height Adj. Desk w/Return & Credenza Layout
Model:	Approvals
Designer:	DMC
Drawn By:	EM
Rev / By	DATE / NOTE
-	-
-	-
Date:	1/7/2022

D

C

B

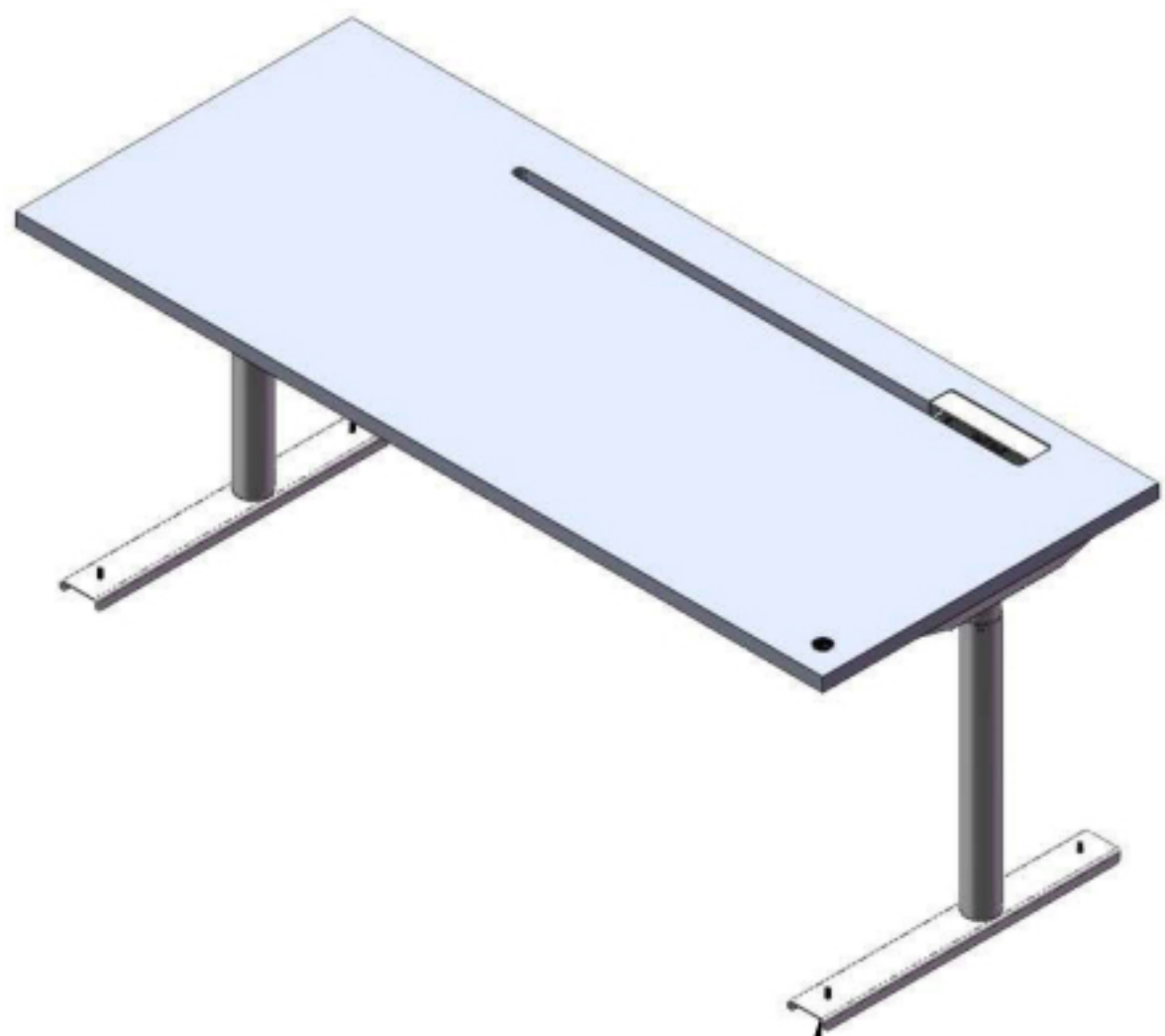
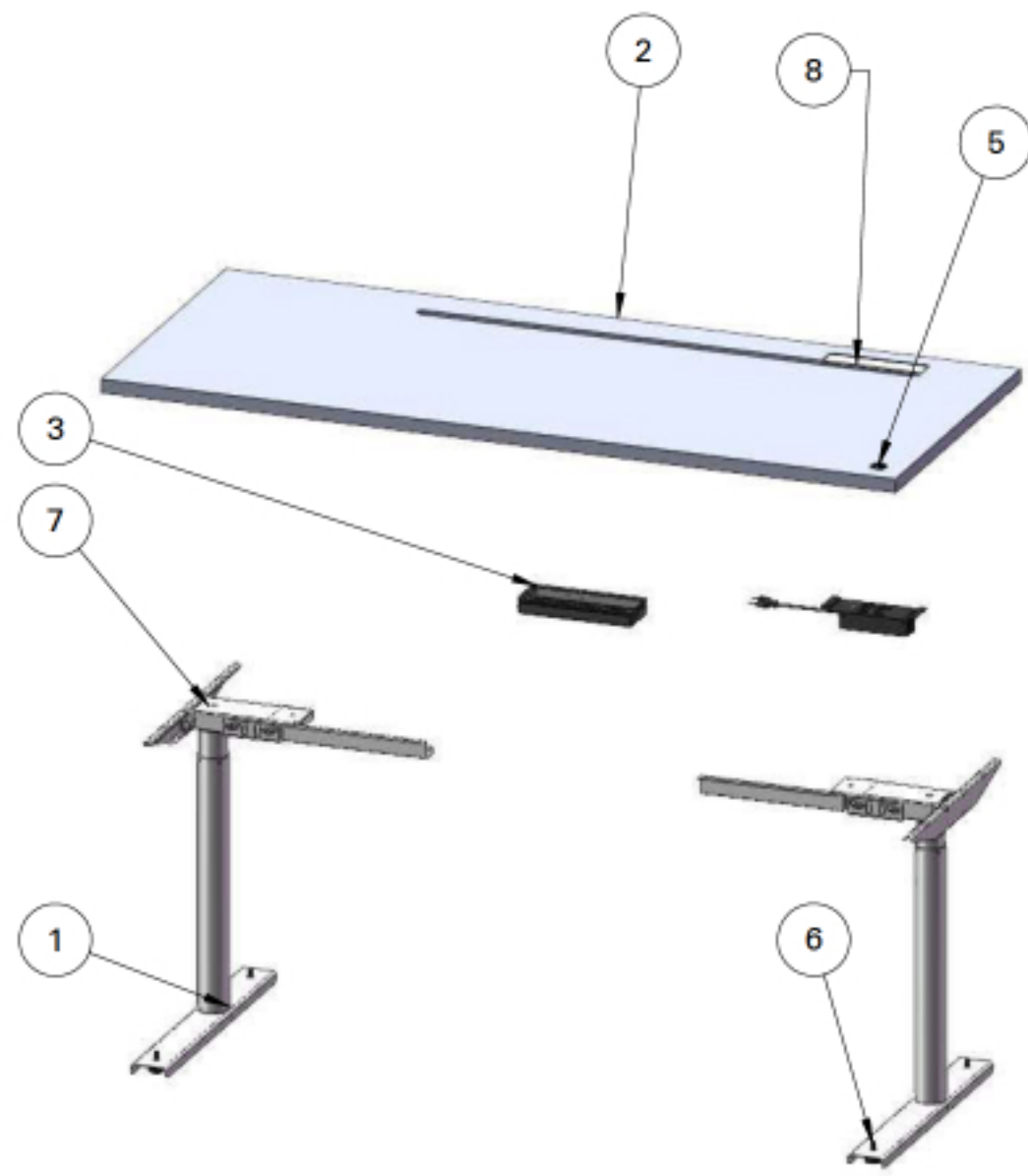
A

D

C

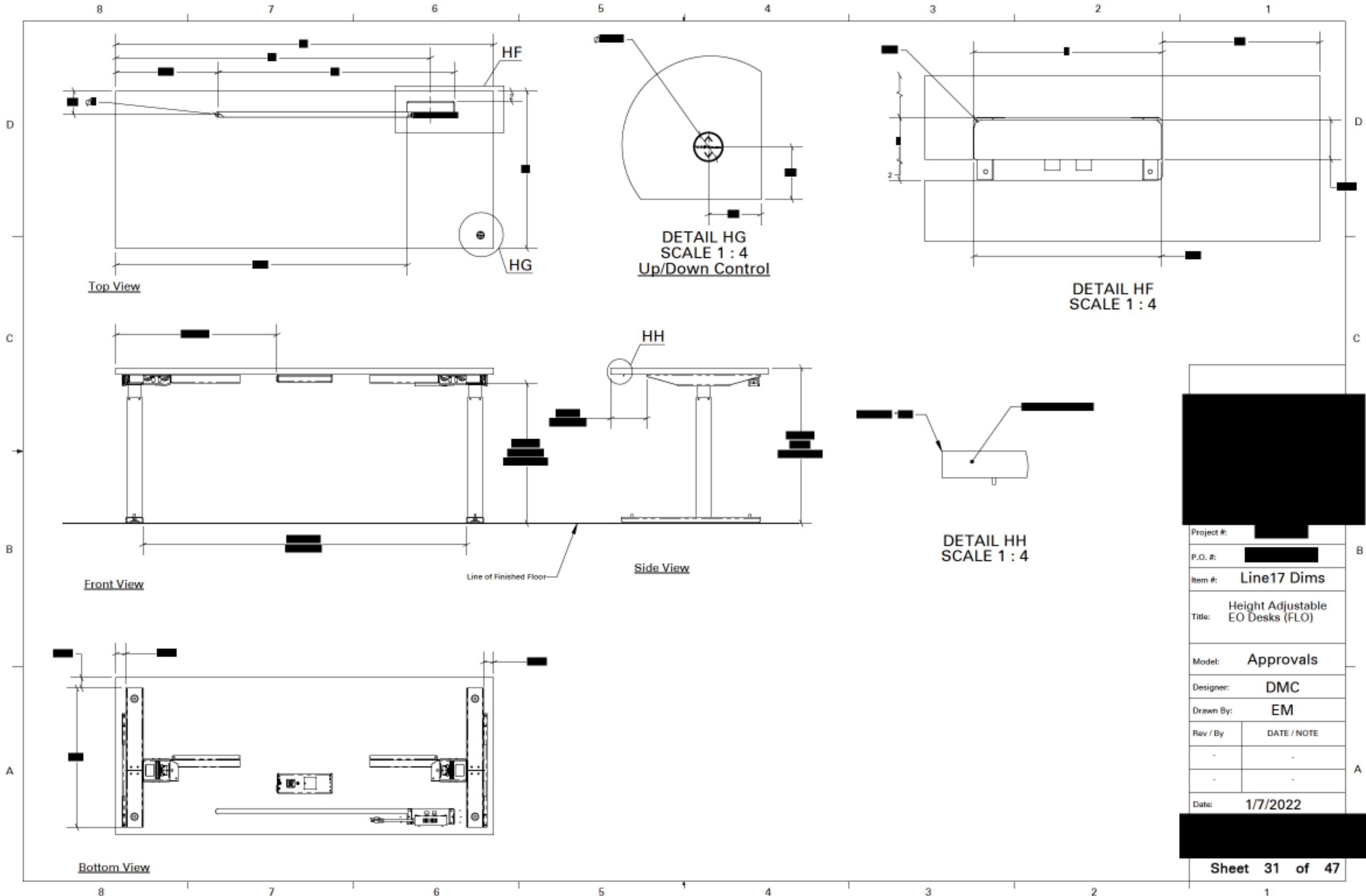
B

A



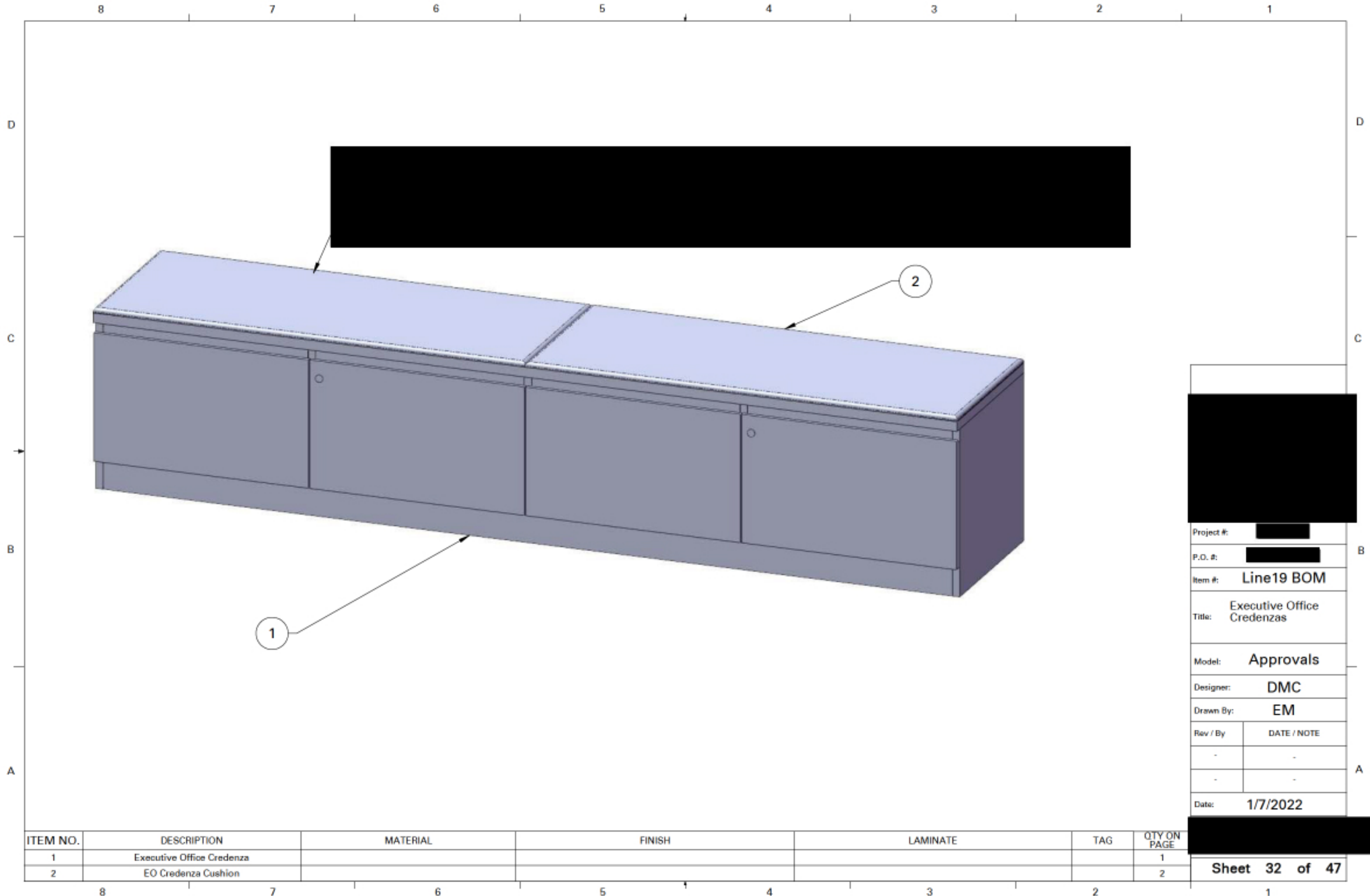
Project #:	[Redacted]
P.O. #:	[Redacted]
Item #:	Line17 BOM
Title:	Height Adjustable EO Desk (FLO)
Model:	Approvals
Designer:	DMC
Drawn By:	EM
Rev / By	DATE / NOTE
-	-
-	-
Date:	1/7/2022

ITEM NO.	DESCRIPTION	MATERIAL	FINISH	LAMINATE	TAG	QTY ON PAGE
1	Lifting Column	[Redacted]	[Redacted]	[Redacted]	[Redacted]	[Redacted]
2	Private Office [Redacted]	[Redacted]	[Redacted]	[Redacted]	[Redacted]	[Redacted]
3	[Redacted] Channel Motor Control Box	[Redacted]	[Redacted]	[Redacted]	[Redacted]	[Redacted]
4	[Redacted] Unit	[Redacted]	[Redacted]	[Redacted]	[Redacted]	[Redacted]
5	In-Surface Up/Down Controller	[Redacted]	[Redacted]	[Redacted]	[Redacted]	[Redacted]
6	[Redacted]	[Redacted]	[Redacted]	[Redacted]	[Redacted]	[Redacted]
7	Kick and Click Assembly	[Redacted]	[Redacted]	[Redacted]	[Redacted]	[Redacted]
8	Single Flip Lid	[Redacted]	[Redacted]	[Redacted]	[Redacted]	[Redacted]



Project #:	[Redacted]
P.O. #:	[Redacted]
Item #:	Line17 Dims
Title:	Height Adjustable EO Desks (FLO)
Model:	Approvals
Designer:	DMC
Drawn By:	EM
Rev / By	DATE / NOTE
-	-
-	-
Date:	1/7/2022



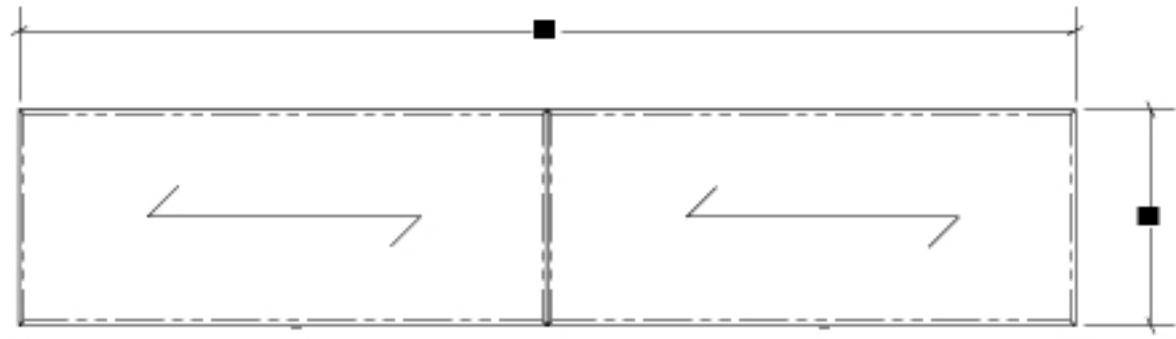


Project #:	[Redacted]
P.O. #:	[Redacted]
Item #:	Line19 BOM
Title:	Executive Office Credenzas
Model:	Approvals
Designer:	DMC
Drawn By:	EM
Rev / By	DATE / NOTE
-	-
-	-
Date:	1/7/2022

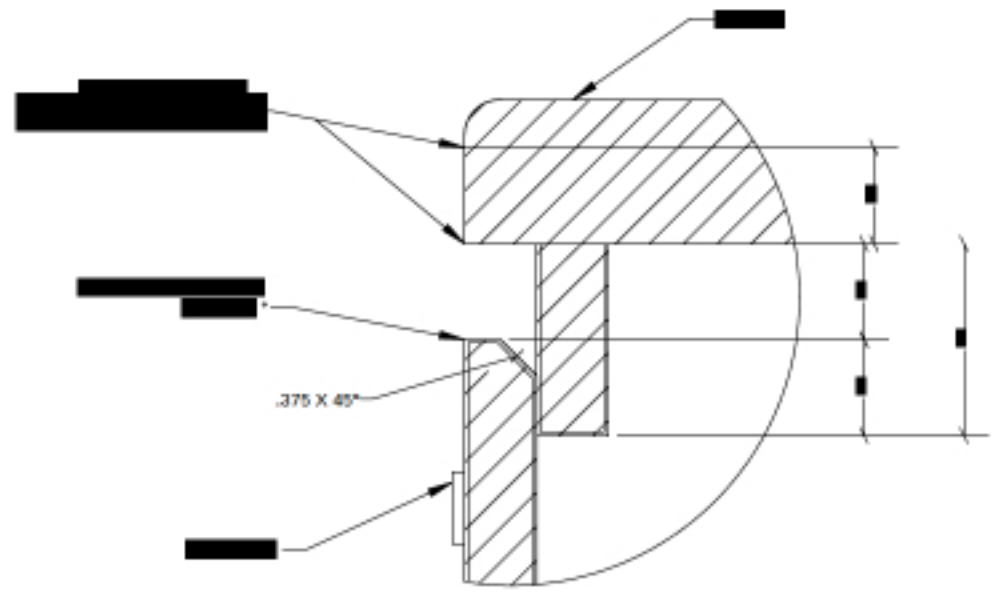
ITEM NO.	DESCRIPTION	MATERIAL	FINISH	LAMINATE	TAG	QTY ON PAGE
1	Executive Office Credenza					1
2	EO Credenza Cushion					2

← Indicates Grain Direction

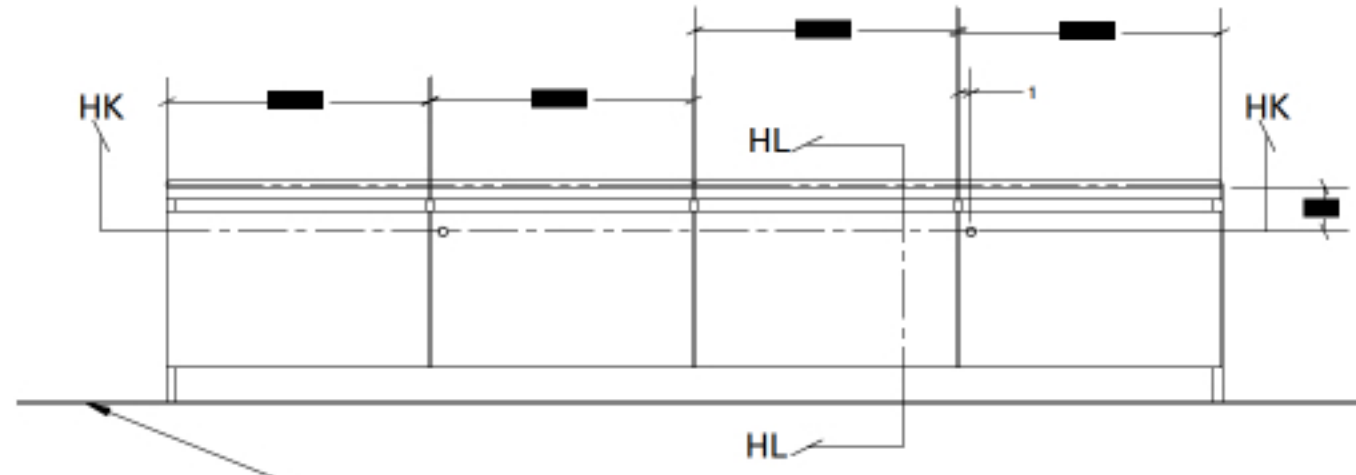
D



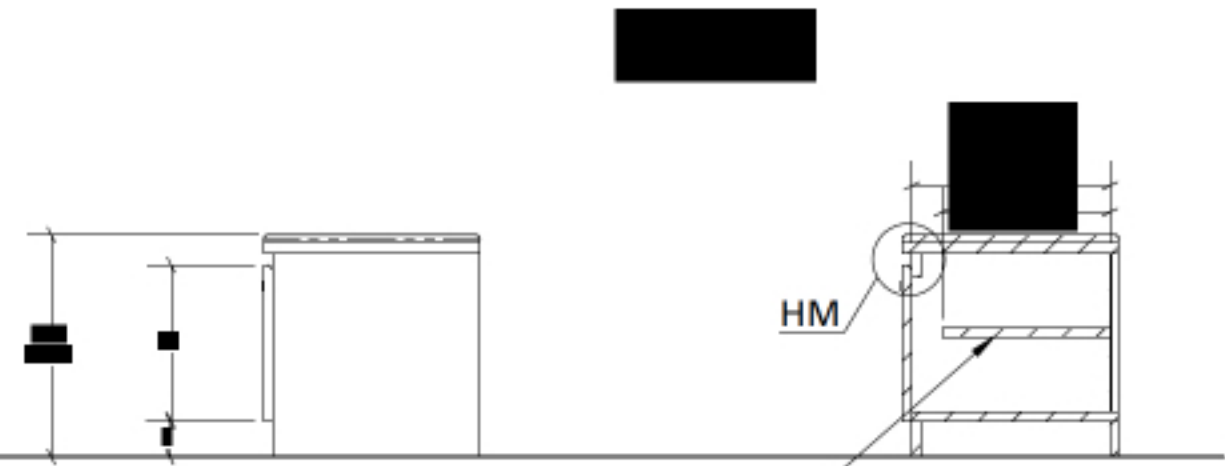
Top View



C



Front View



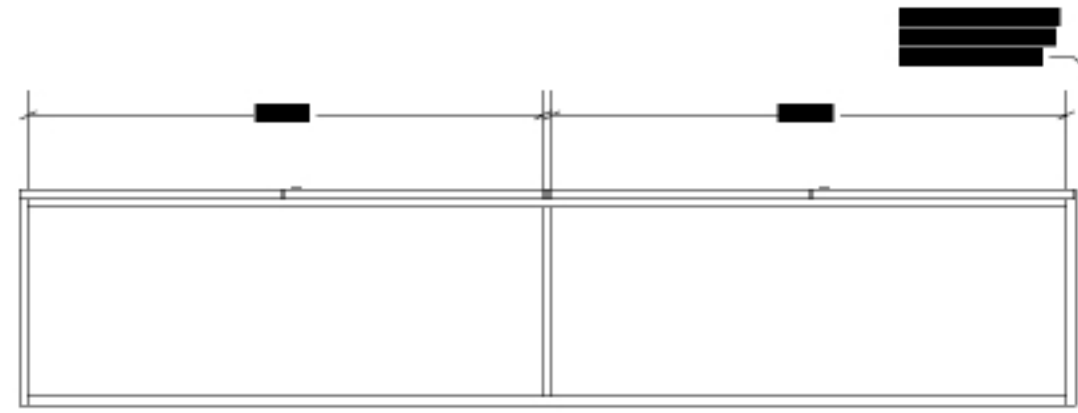
Side View

Ajutable Shelves

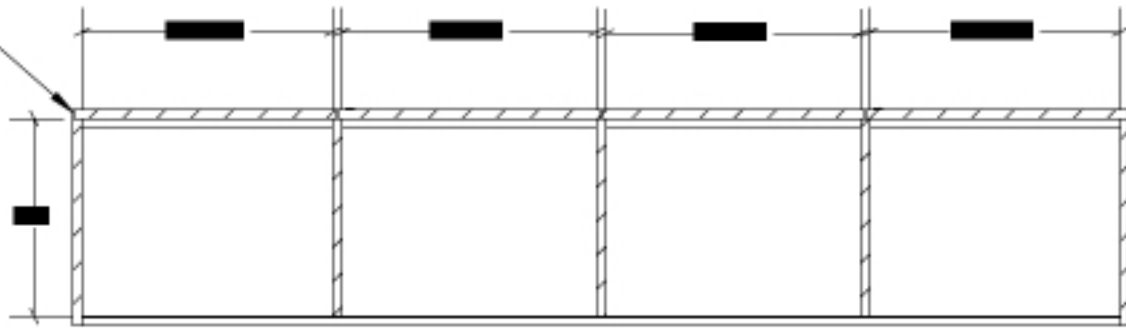
SECTION HL-HL

B

A

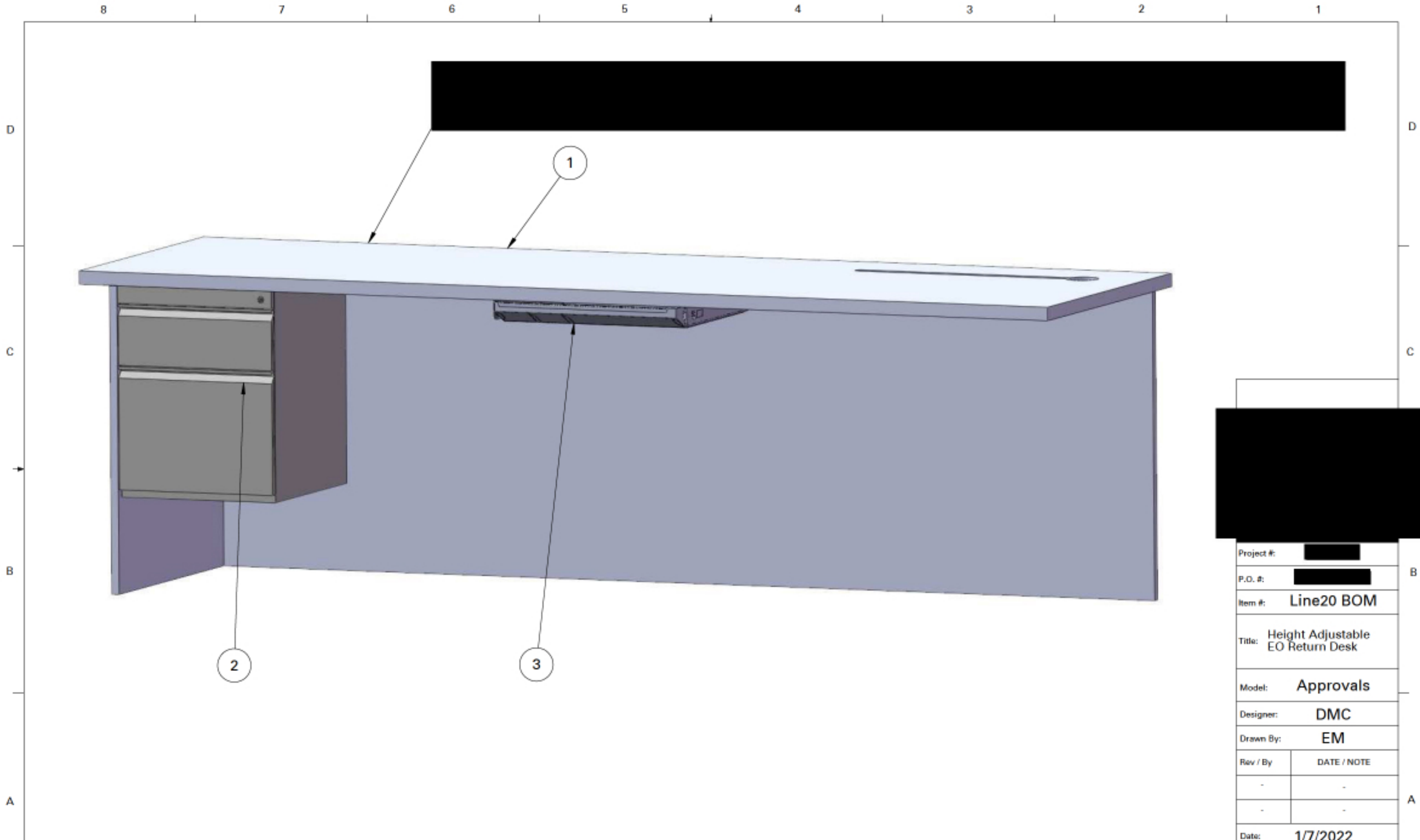


Bottom View



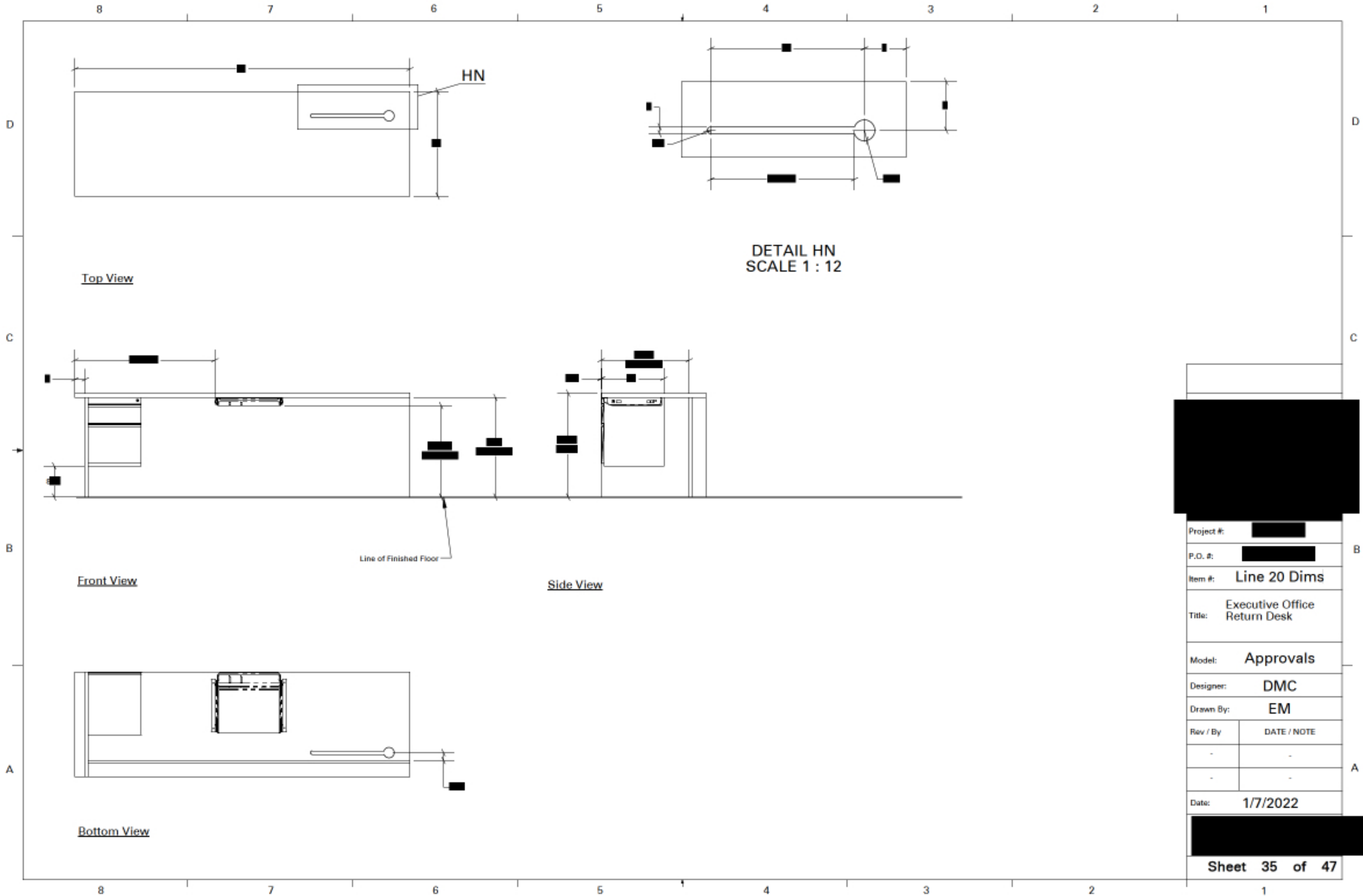
SECTION HK-HK

Project #:	[Redacted]
P.O. #:	[Redacted]
Item #:	Line19 Dims
Title:	EO Credenzas
Model:	Approvals
Designer:	DMC
Drawn By:	EM
Rev / By	DATE / NOTE
-	-
-	-
Date:	1/7/2022



Project #:	[Redacted]
P.O. #:	[Redacted]
Item #:	Line20 BOM
Title:	Height Adjustable EO Return Desk
Model:	Approvals
Designer:	DMC
Drawn By:	EM
Rev / By	DATE / NOTE
-	-
-	-
Date:	1/7/2022

ITEM NO.	DESCRIPTION	MATERIAL	FINISH	LAMINATE	TAG	QTY ON PAGE
1	EO Return Desk					1
2	Hanging Box/ File Drawer					1
3	Pencil Drawer					1



Top View

Front View

Bottom View

Side View



Project #:	[REDACTED]
P.O. #:	[REDACTED]
Item #:	Line 20 Dims
Title:	Executive Office Return Desk
Model:	Approvals
Designer:	DMC
Drawn By:	EM
Rev / By	DATE / NOTE
-	-
-	-
Date:	1/7/2022



D

C

B

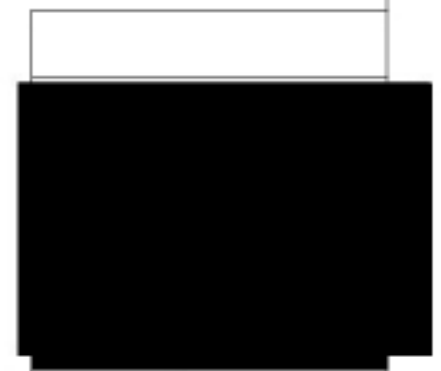
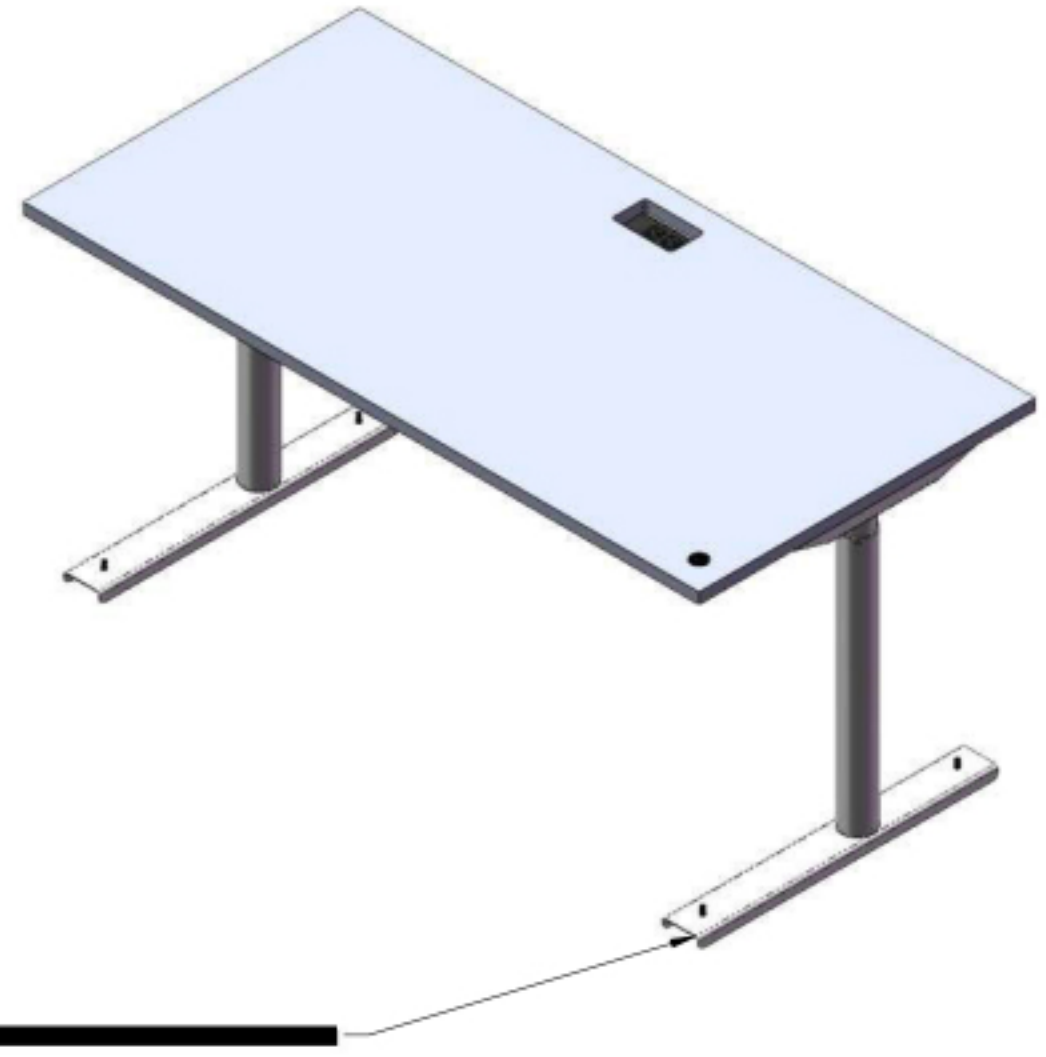
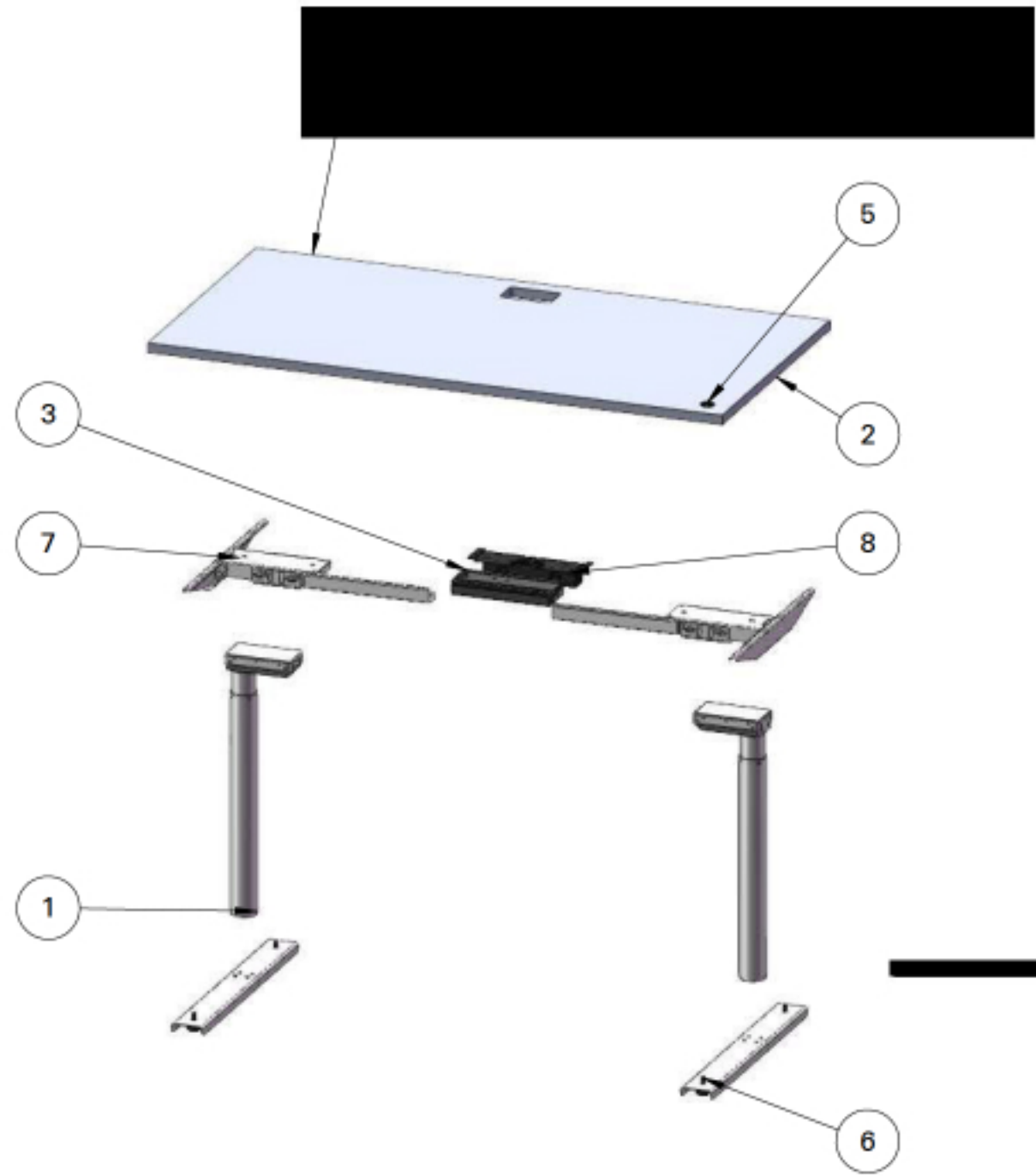
A

D

C

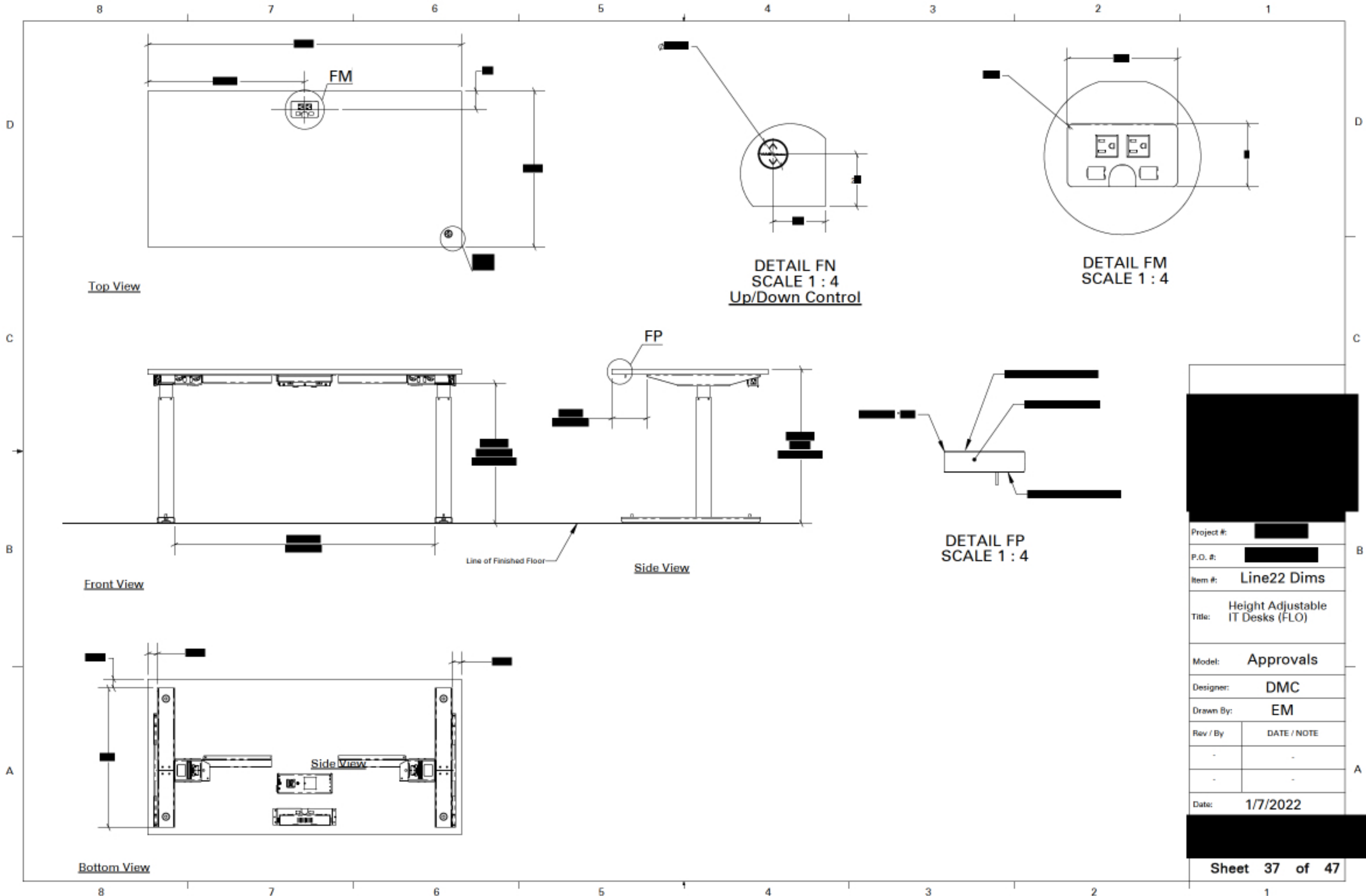
B

A



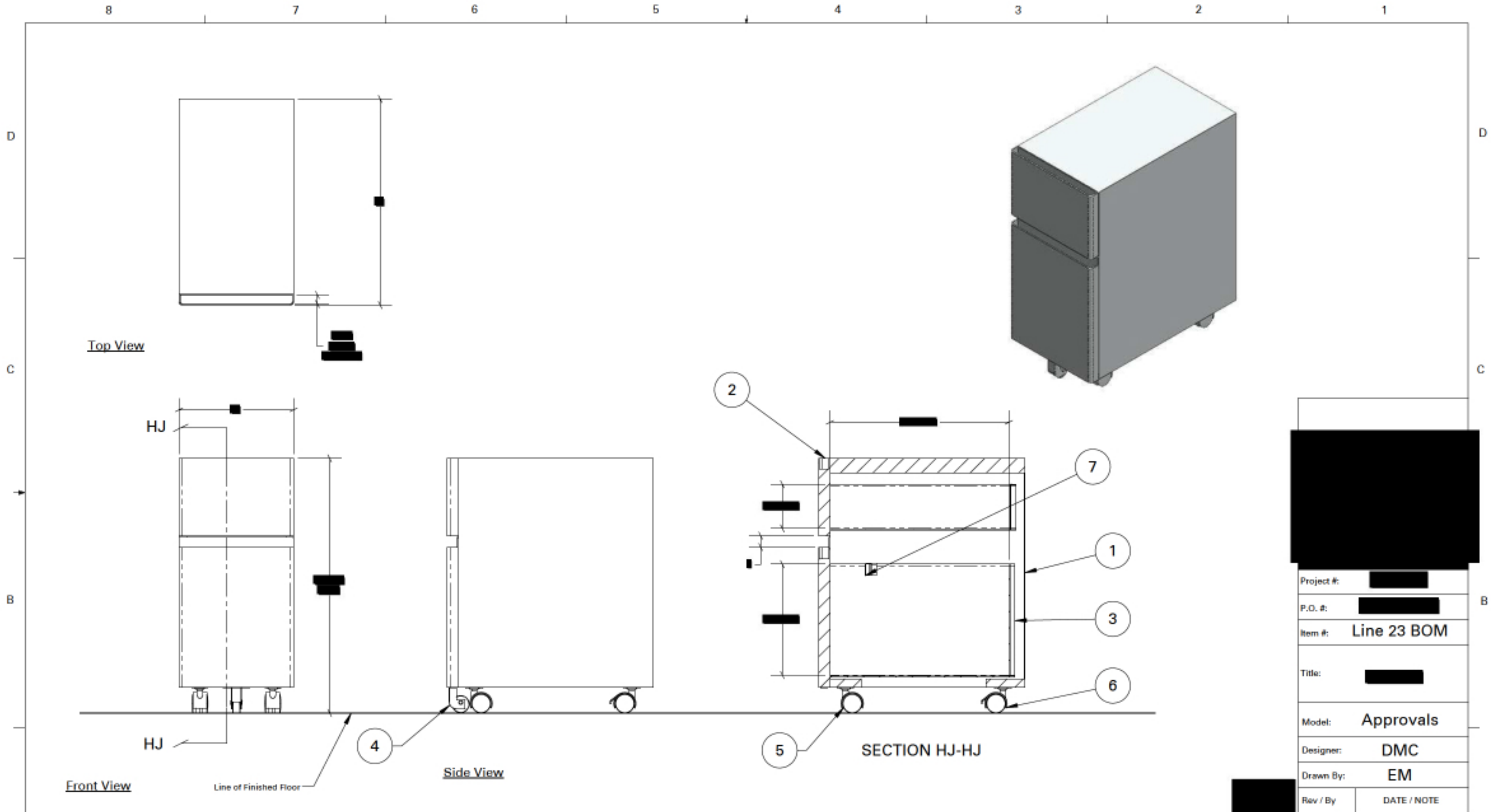
Project #:	[Redacted]
P.O. #:	[Redacted]
Item #:	Line22 BOM
Title:	Height Adjustable IT Desks (FLO)
Model:	Approvals
Designer:	DMC
Drawn By:	EM
Rev / By	DATE / NOTE
-	-
-	-
Date:	1/7/2022

ITEM NO.	DESCRIPTION	MATERIAL	FINISH	LAMINATE	TAG	QTY ON PAGE
1	Lifting Column	[Redacted]	[Redacted]	[Redacted]	[Redacted]	[Redacted]
2	IT Room [Redacted]	[Redacted]	[Redacted]	[Redacted]	[Redacted]	[Redacted]
3	[Redacted]	[Redacted]	[Redacted]	[Redacted]	[Redacted]	[Redacted]
4	[Redacted] Unit	[Redacted]	[Redacted]	[Redacted]	[Redacted]	[Redacted]
5	In-Surface Up/Down Controller	[Redacted]	[Redacted]	[Redacted]	[Redacted]	[Redacted]
6	[Redacted] Foot	[Redacted]	[Redacted]	[Redacted]	[Redacted]	[Redacted]
7	Kick and Click Assembly	[Redacted]	[Redacted]	[Redacted]	[Redacted]	[Redacted]
8	[Redacted] 5 Power [Redacted]	[Redacted]	[Redacted]	[Redacted]	[Redacted]	[Redacted]



Project #:	[Redacted]
P.O. #:	[Redacted]
Item #:	Line22 Dims
Title:	Height Adjustable IT Desks (FLO)
Model:	Approvals
Designer:	DMC
Drawn By:	EM
Rev / By	DATE / NOTE
-	-
-	-

Date: 1/7/2022



Project #:	[Redacted]
P.O. #:	[Redacted]
Item #:	Line 23 BOM
Title:	[Redacted]
Model:	Approvals
Designer:	DMC
Drawn By:	EM
Rev / By	DATE / NOTE
-	-
-	-

Date: 1/7/2022

[Redacted]

ITEM NO.	DESCRIPTION	MATERIAL	Side View	FINISH	LAMINATE	TAG
1						
2						
3						
4						
5						
6						
7	Bend File Hanger	[Redacted]				

8 7 6 5 4 3 2 1

D  
C  
B  
A



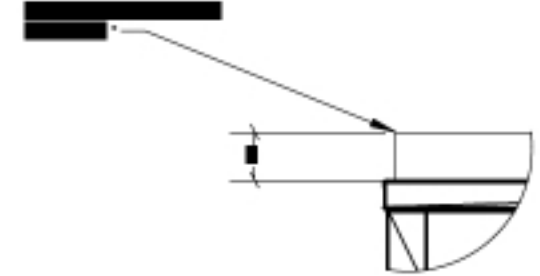
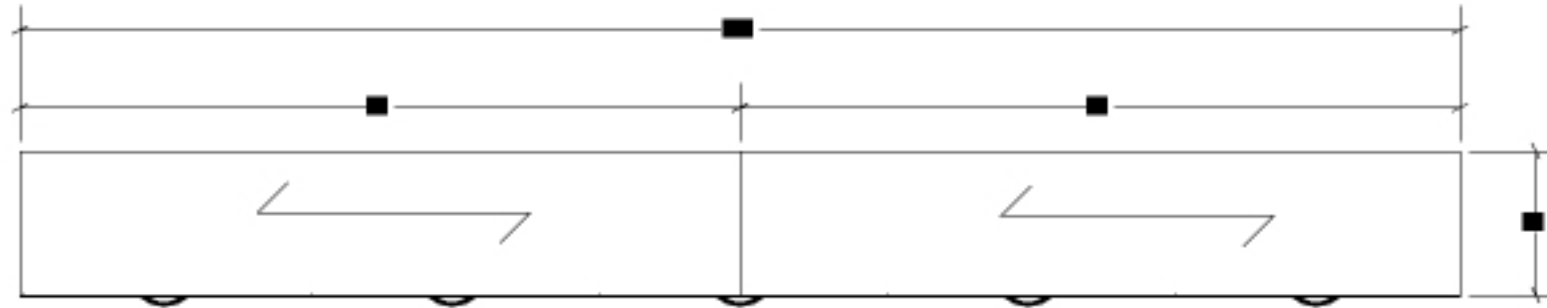
Project #:	[REDACTED]
P.O. #:	[REDACTED]
Item #:	Line24&25 BOM
Title:	[REDACTED]
Model:	Approvals
Designer:	DMC
Drawn By:	EM
Rev / By	DATE / NOTE
-	-
-	-
Date:	1/7/2022

ITEM NO.	DESCRIPTION	MATERIAL	FINISH	LAMINATE	TAG	QTY ON
1		[REDACTED]	[REDACTED]	[REDACTED]	[REDACTED]	[REDACTED]
2	180° Lateral File Topper	[REDACTED]	[REDACTED]	[REDACTED]	[REDACTED]	[REDACTED]

8 7 6 5 4 3 2 1

← Indicates Grain Direction

D



D

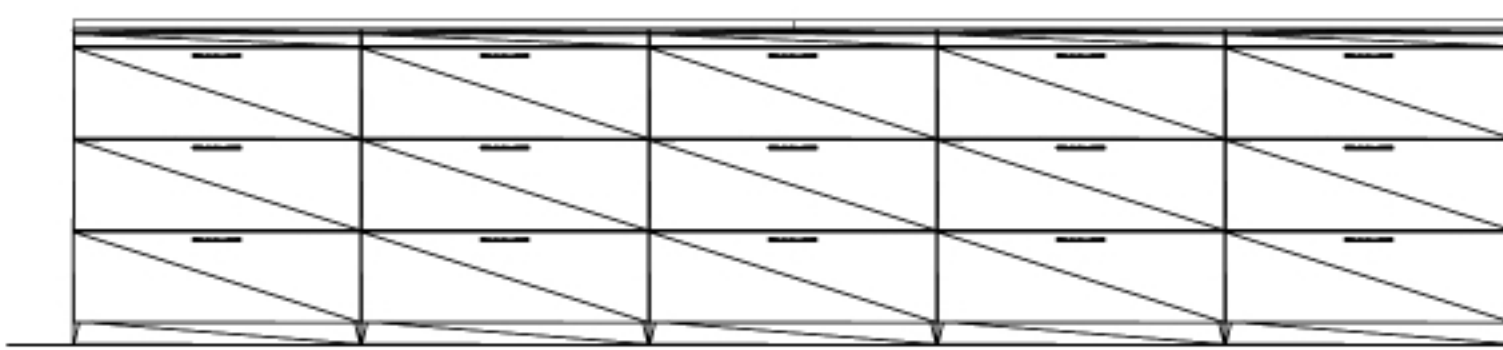
C

Top View

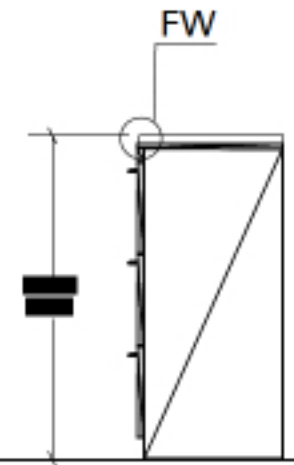
DETAIL FW  
SCALE 1 : 4

C

B



Front View



Side View

Line of  
Finished Floor

B

A



Project #:	[Redacted]
P.O. #:	[Redacted]
Item #:	Line24&25 Dims
Title:	[Redacted]
Model:	Approvals
Designer:	DMC
Drawn By:	EM
Rev / By	DATE / NOTE
-	-
-	-
Date:	1/7/2022

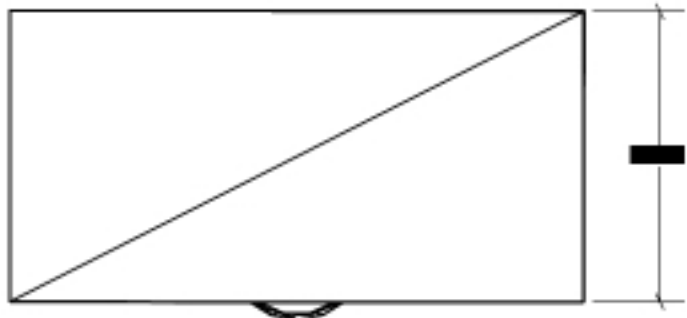
A



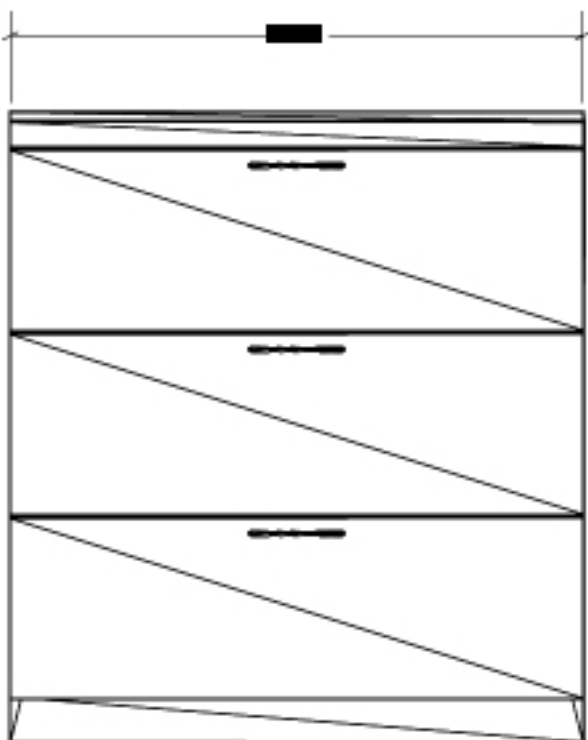
8 7 6 5 4 3 2 1

D  
C  
B  
A

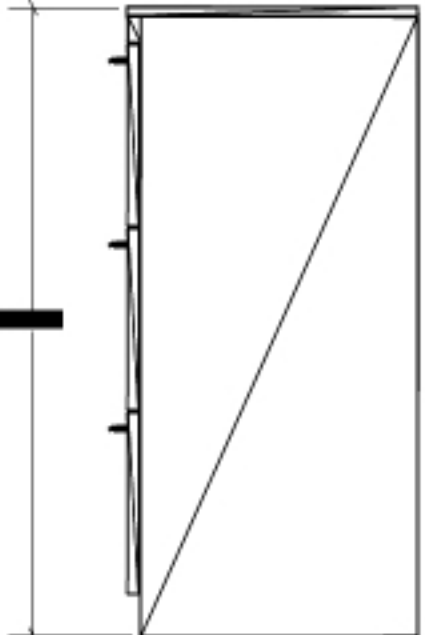
D  
C  
B  
A



Top View

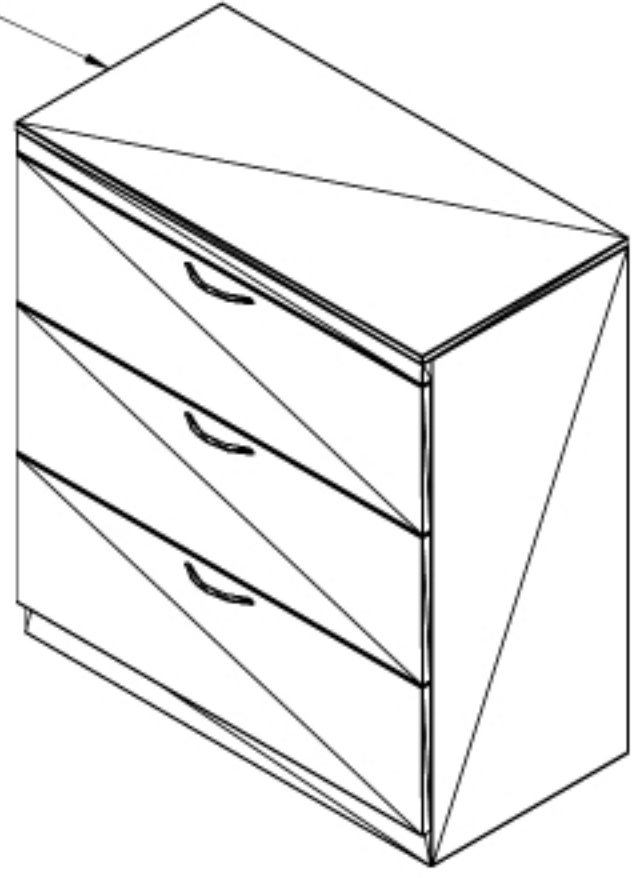


Front View



Side View

Line of Finished Floor



Project #: [Redacted]  
 P.O. #: [Redacted]  
 Item #: Line24 Dims2



Model:	Approvals
Designer:	DMC
Drawn By:	EM
Rev / By	DATE / NOTE
-	-
-	-
Date:	1/7/2022

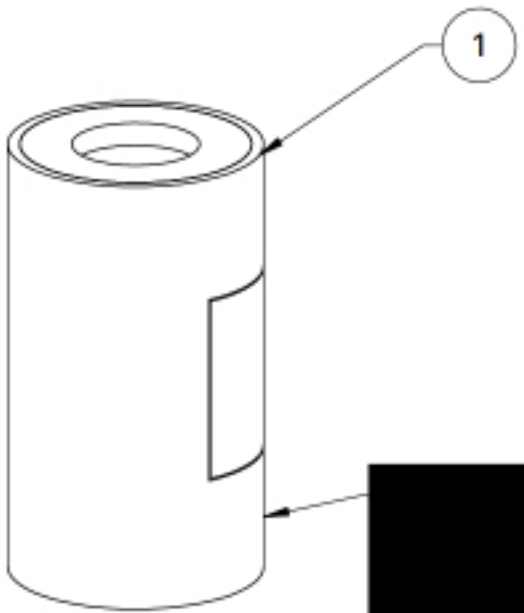
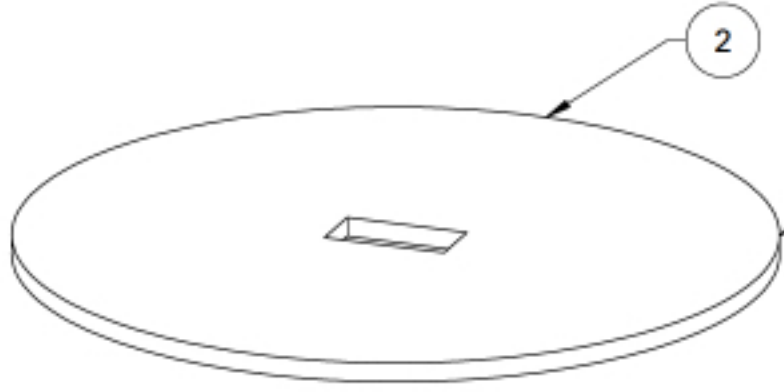


8 7 6 5 4 3 2 1

8 7 6 5 4 3 2 1

D  
C  
B  
A

D  
C  
B  
A



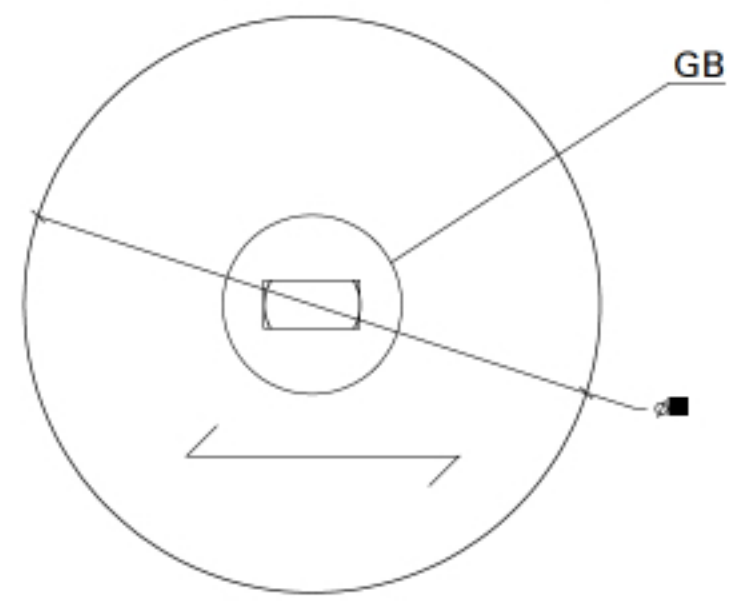
Project #:	[Redacted]
P.O. #:	[Redacted]
Item #:	Line26 BOM
Title:	Round Conference Table
Model:	Approvals
Designer:	DMC
Drawn By:	EM
Rev / By	DATE / NOTE
-	-
-	-
Date:	1/7/2022

ITEM NO.	DESCRIPTION
1	Conference Table Cylinder Base -w/ Door
2	Round Conference Table Top

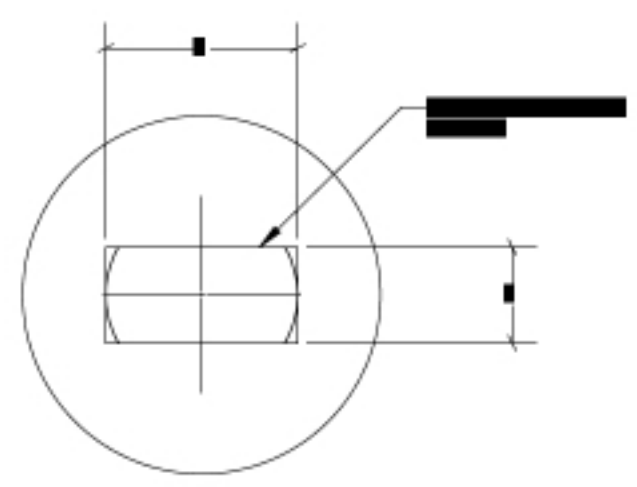


8 7 6 5 4 3 2 1

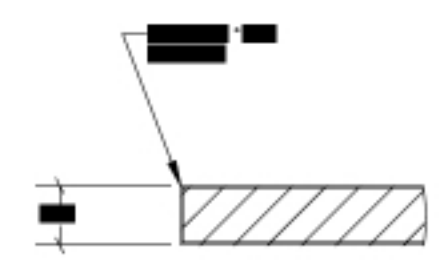
8 7 6 5 4 3 2 1



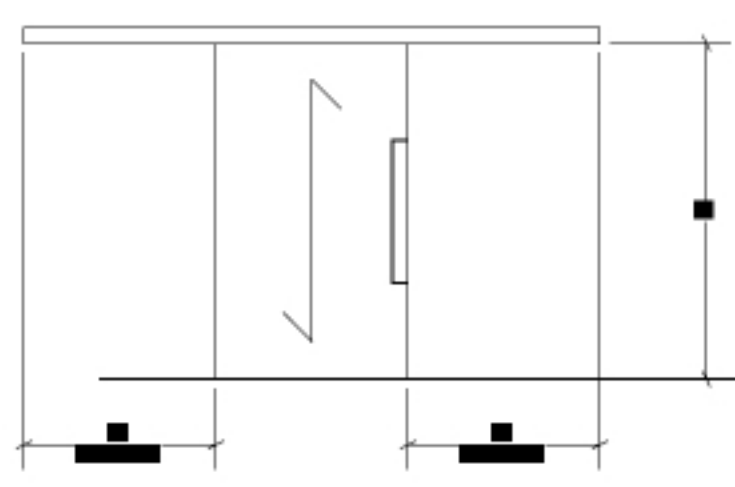
Top View



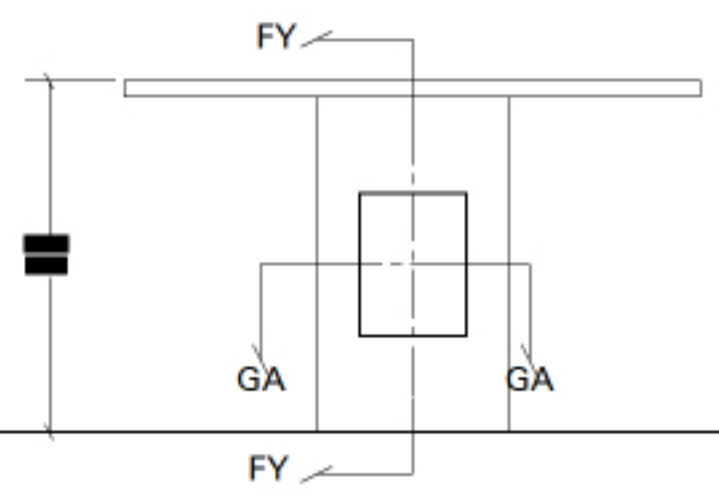
DETAIL GB  
SCALE 1 : 8



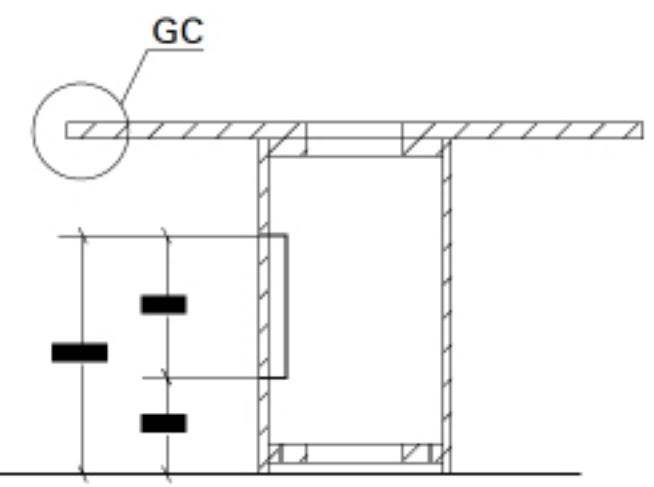
DETAIL GC  
SCALE 1 : 4



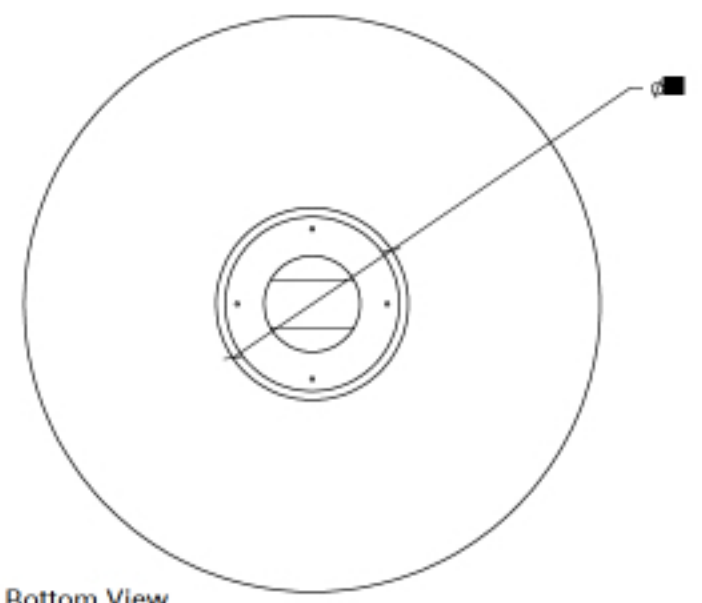
Front View



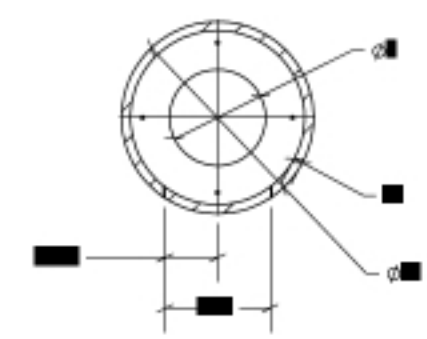
Side View



SECTION FY-FY



Bottom View



SECTION GA-GA  
Access Panel

Line of Finished Floor

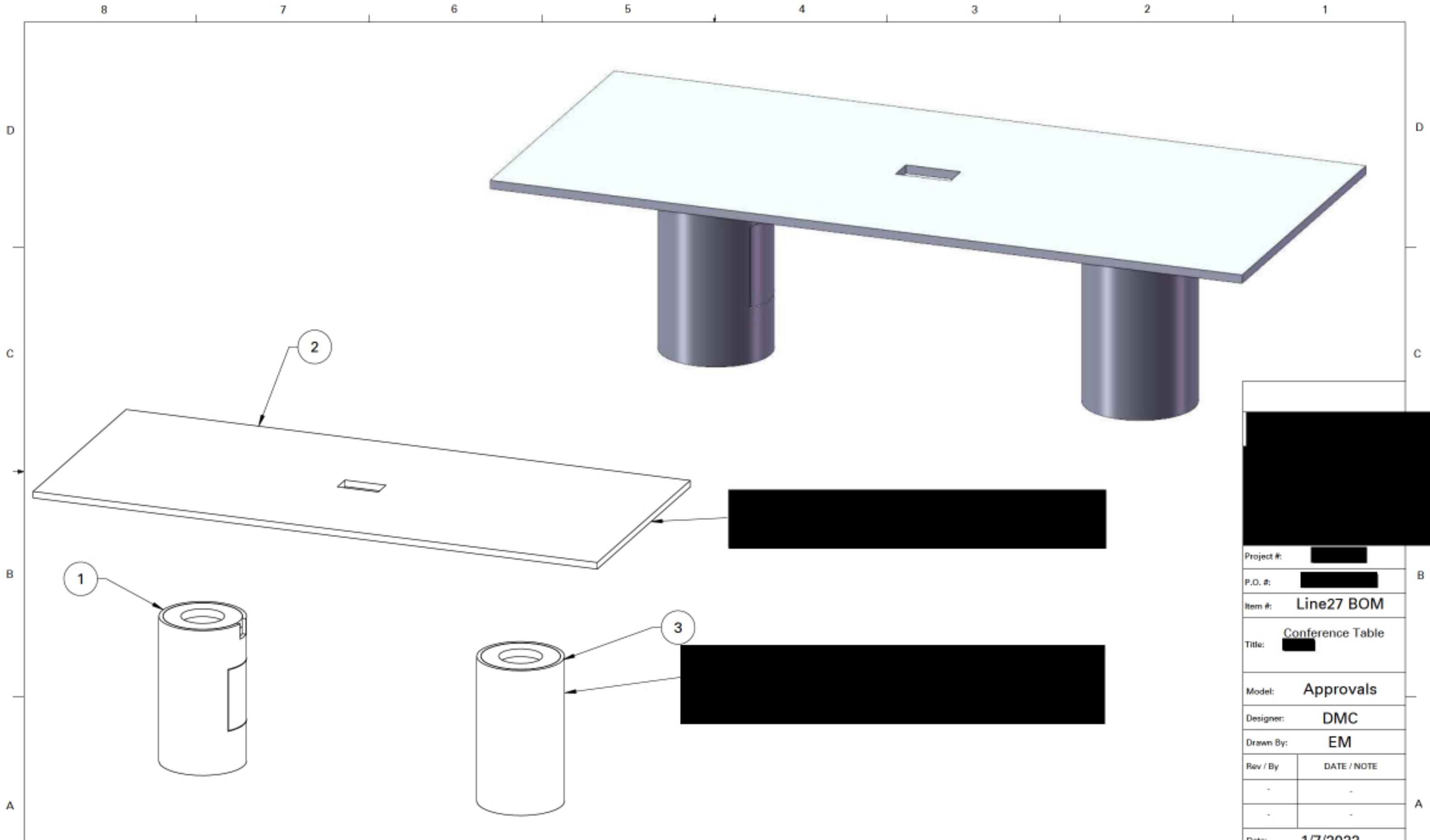
← Indicates Grain Direction



Project #:	[Redacted]
P.O. #:	[Redacted]
Item #:	Line26 Dims
Title:	Round Conference Table
Model:	Approvals
Designer:	DMC
Drawn By:	EM
Rev / By	DATE / NOTE
-	-
-	-
Date:	1/7/2022



8 7 6 5 4 3 2 1



Project #: [REDACTED]

P.O. #: [REDACTED]

Item #: **Line27 BOM**

Title: **Conference Table**

Model: **Approvals**

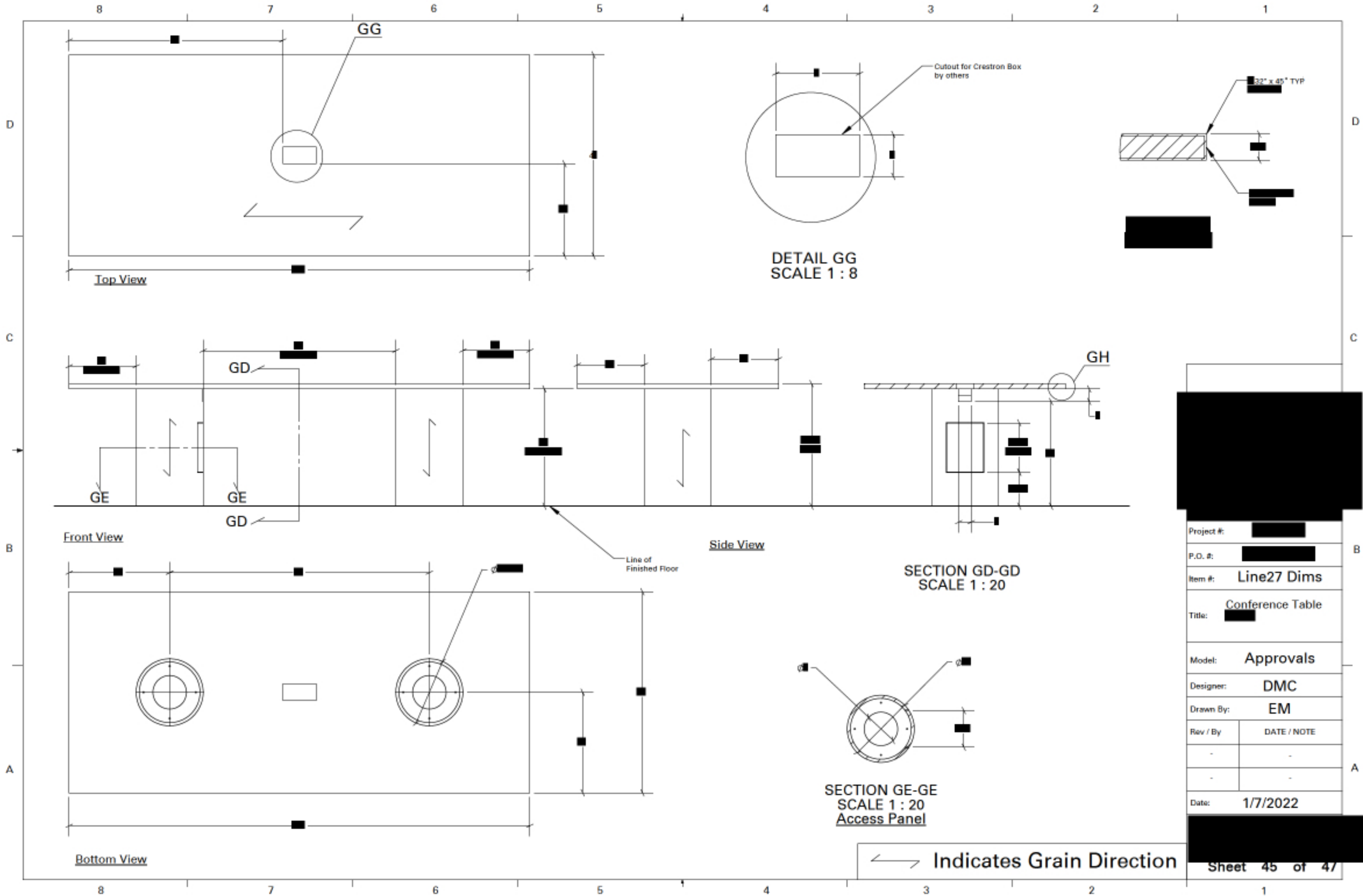
Designer: **DMC**

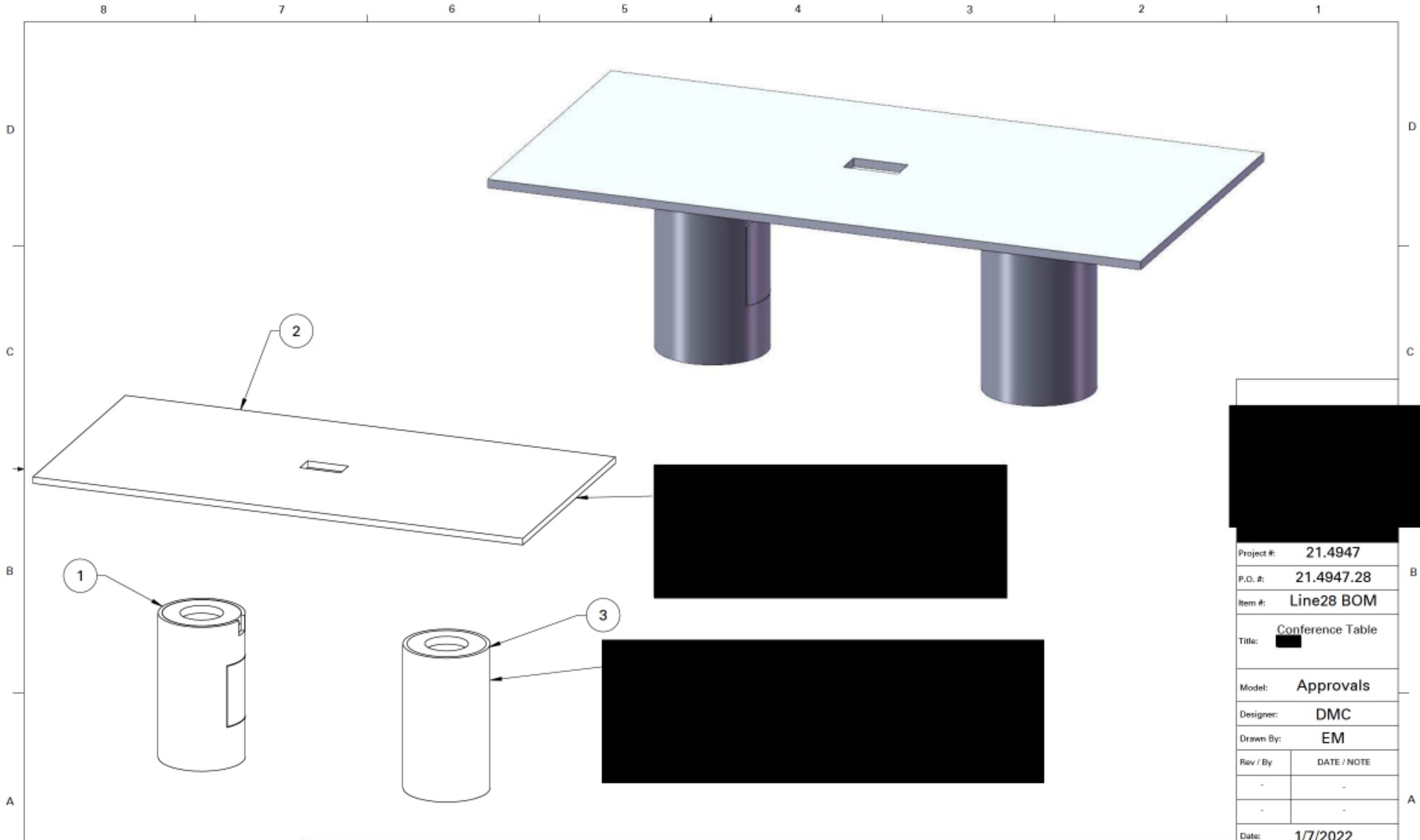
Drawn By: **EM**

Rev / By	DATE / NOTE
-	-
-	-

Date: **1/7/2022**

ITEM NO.	DESCRIPTION	MATERIAL	FINISH	LAMINATE	TAG	QTY ON
1	Conference Table Cylinder Base -Door	[REDACTED]	[REDACTED]	[REDACTED]	[REDACTED]	[REDACTED]
2	Conference Table Top	[REDACTED]	[REDACTED]	[REDACTED]	[REDACTED]	[REDACTED]
3	Conference Table Cylinder Base -Solid	[REDACTED]	[REDACTED]	[REDACTED]	[REDACTED]	[REDACTED]

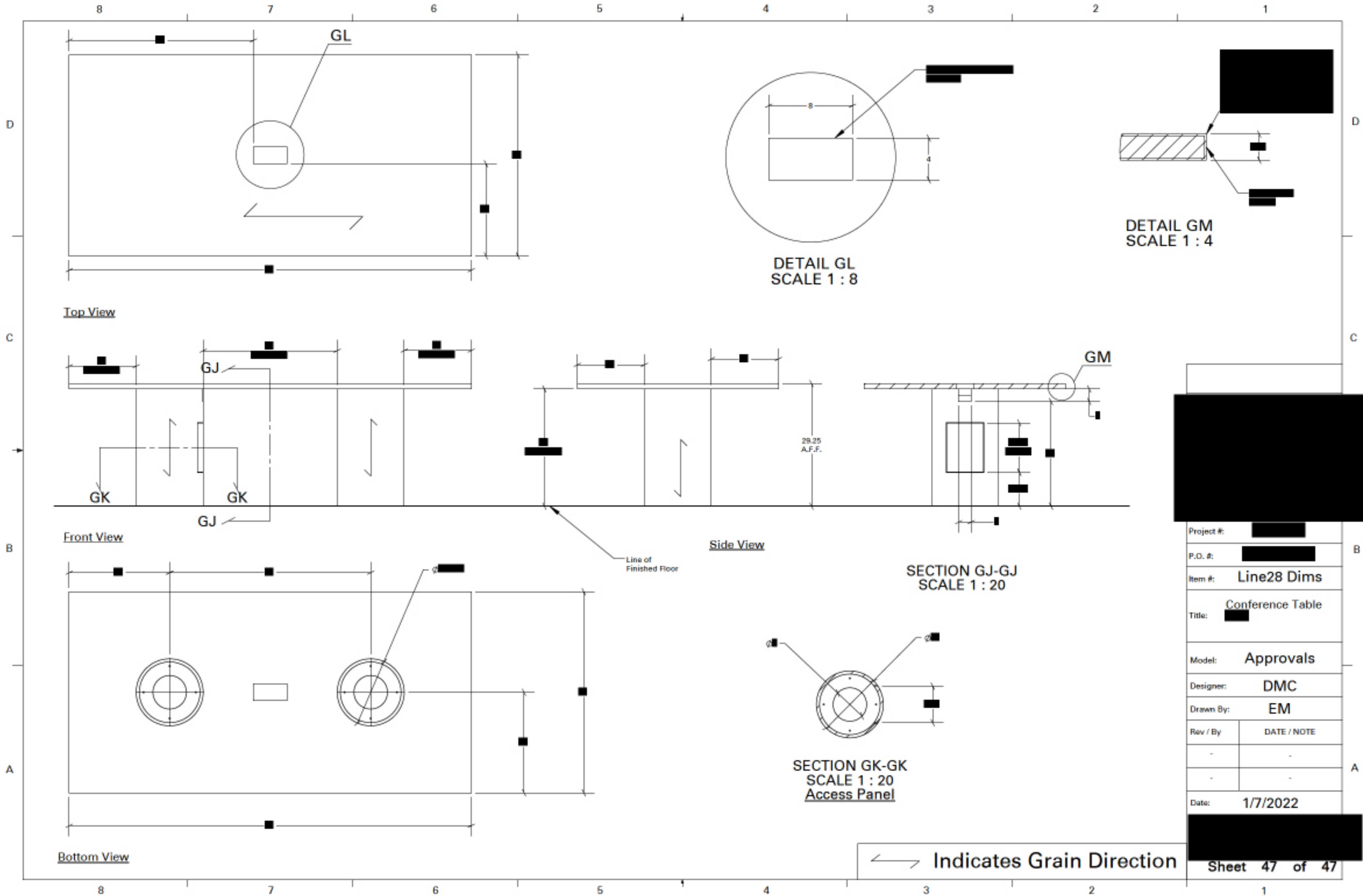




Project #:	21.4947
P.O. #:	21.4947.28
Item #:	Line28 BOM
Title:	Conference Table
Model:	Approvals
Designer:	DMC
Drawn By:	EM
Rev / By	DATE / NOTE
-	-
-	-
Date:	1/7/2022

ITEM NO.	DESCRIPTION
1	Conference Table Cylinder Base -Door
2	Conference Table Top
3	Conference Table Cylinder Base -Solid





Project #:	[Redacted]
P.O. #:	[Redacted]
Item #:	Line28 Dims
Title:	Conference Table
Model:	Approvals
Designer:	DMC
Drawn By:	EM
Rev / By	DATE / NOTE
-	-
-	-
Date:	1/7/2022
[Redacted]	
Sheet 47 of 47	