

Brian Herbst

Model Shop Manager and Master Model Maker

Qualifications

Brian Herbst has been a professional Model Maker since earning his Model Making degree in 1982. He has been employed by or done work for such companies as Hasbro, Playskool, Gage In-Store Marketing, Kenner, Anheuser-Busch, Miller Corporation, General Mills, Microsoft and Energizer, Target and Party City.



Brian Herbst

Point of Purchase Displays



Brian Herbst

Point of Purchase Displays



Brian Herbst

Point of Purchase Displays



Brian Herbst

Point of Purchase Displays



Brian Herbst

Point of Purchase Displays



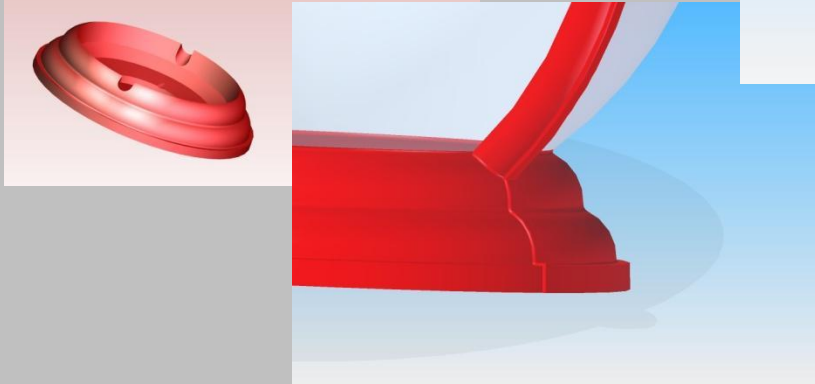
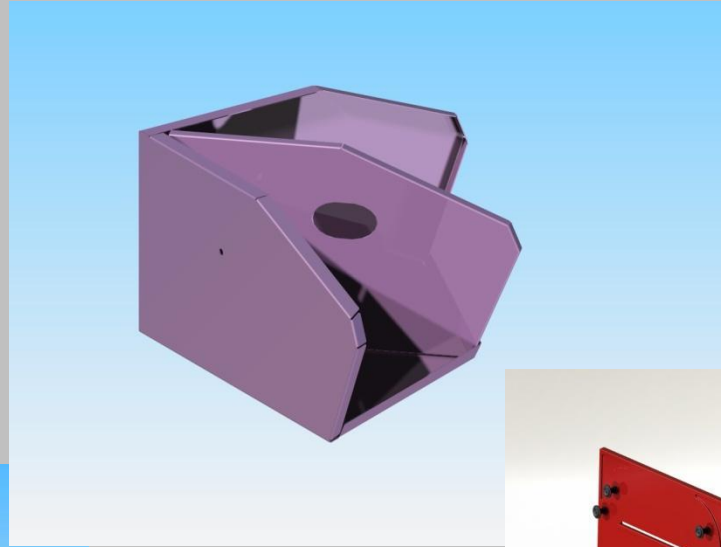
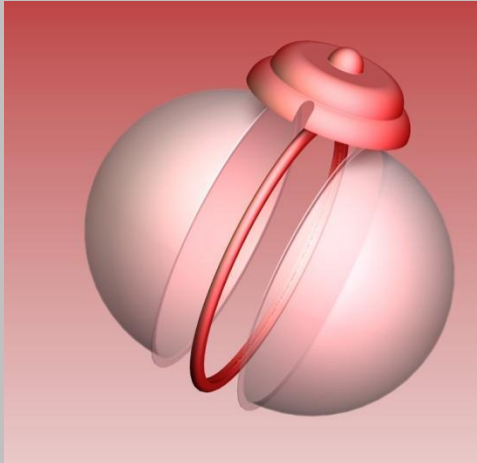
Brian Herbst

Temporary Point of Purchase



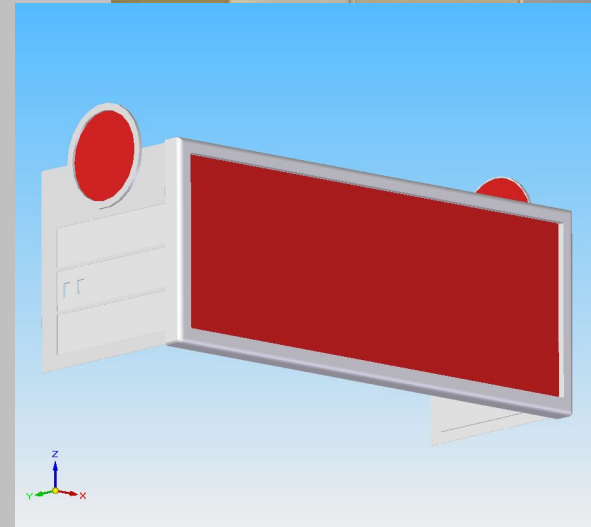
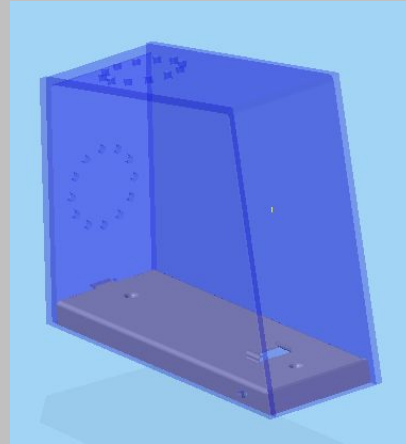
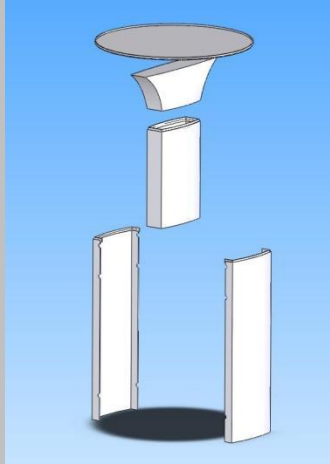
Brian Herbst

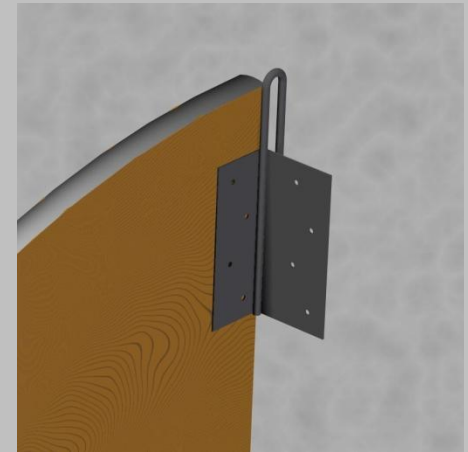
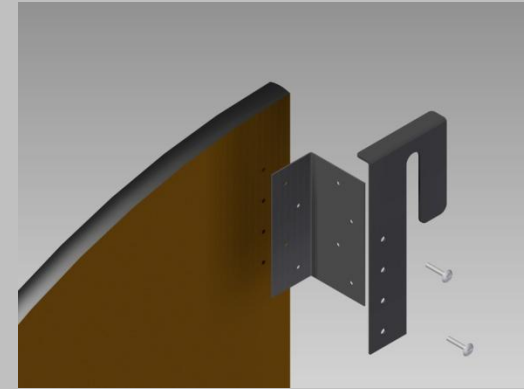
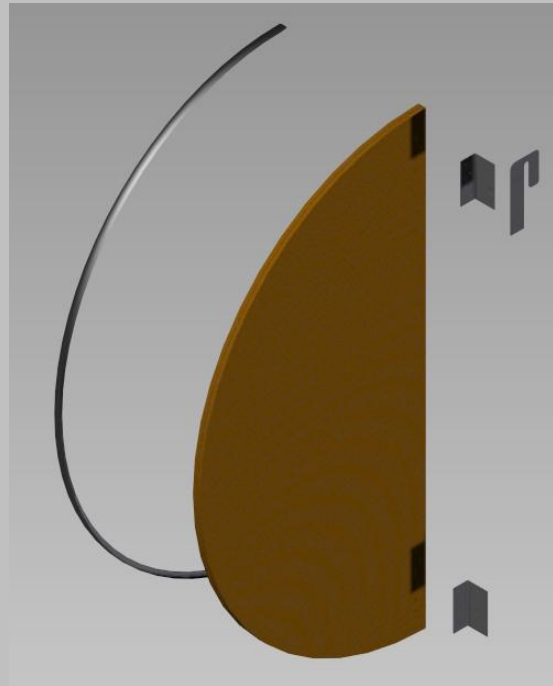
Display Engineering and Development

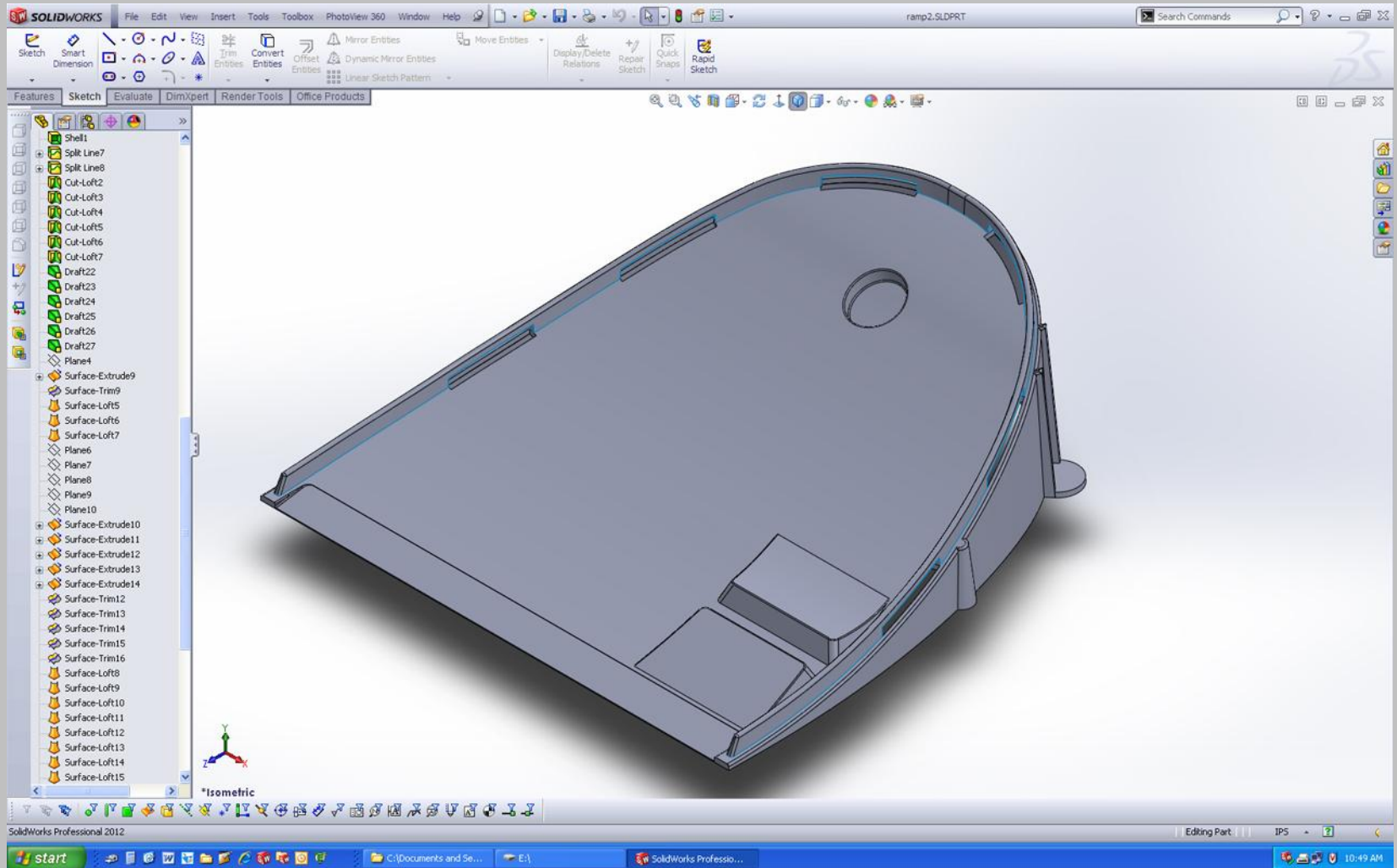


Brian Herbst

Display Engineering and Development

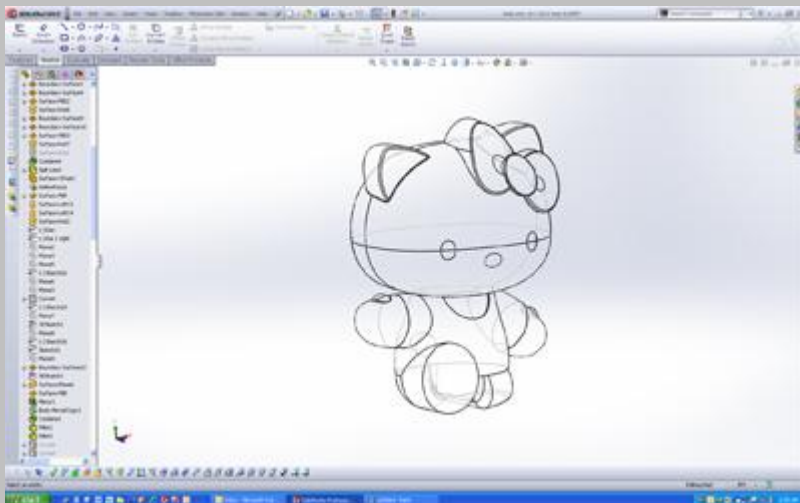
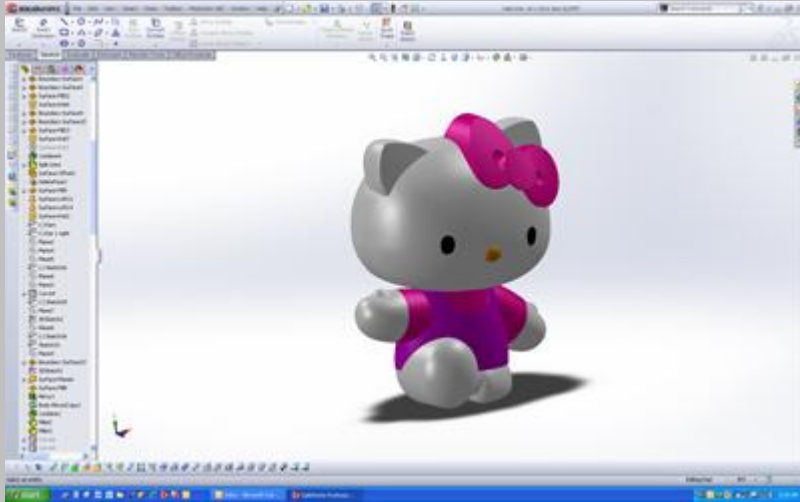






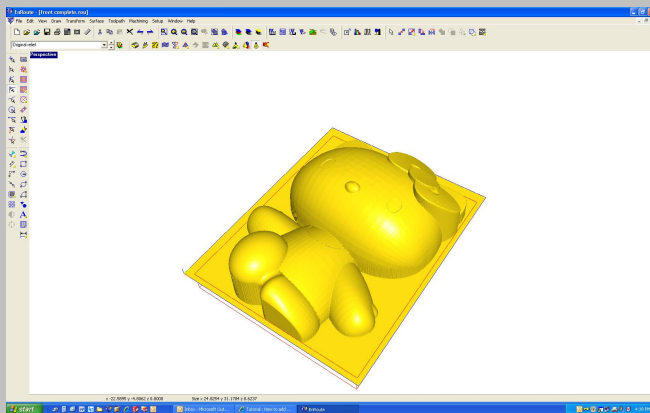
Brian Herbst

Solidworks solids and surfaces



Brian Herbst

CNC machining of patterns



Brian Herbst

Interactive Point of Purchase



Brian Herbst

Retail Environments



Brian Herbst

Retail Environments



Brian Herbst

Retail Environments



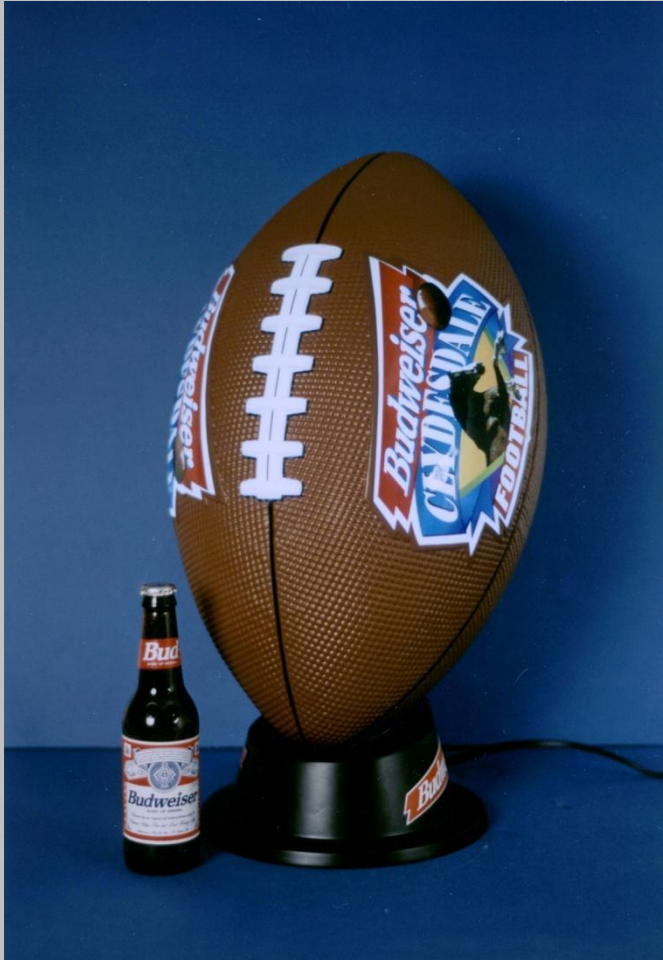
Brian Herbst

Trade Show Displays



Brian Herbst

Indoor Custom Fabricated Props



Brian Herbst

Promotional Beer Signs



Brian Herbst

Promotional Beer Signs



Brian Herbst

Promotional Beer Signs



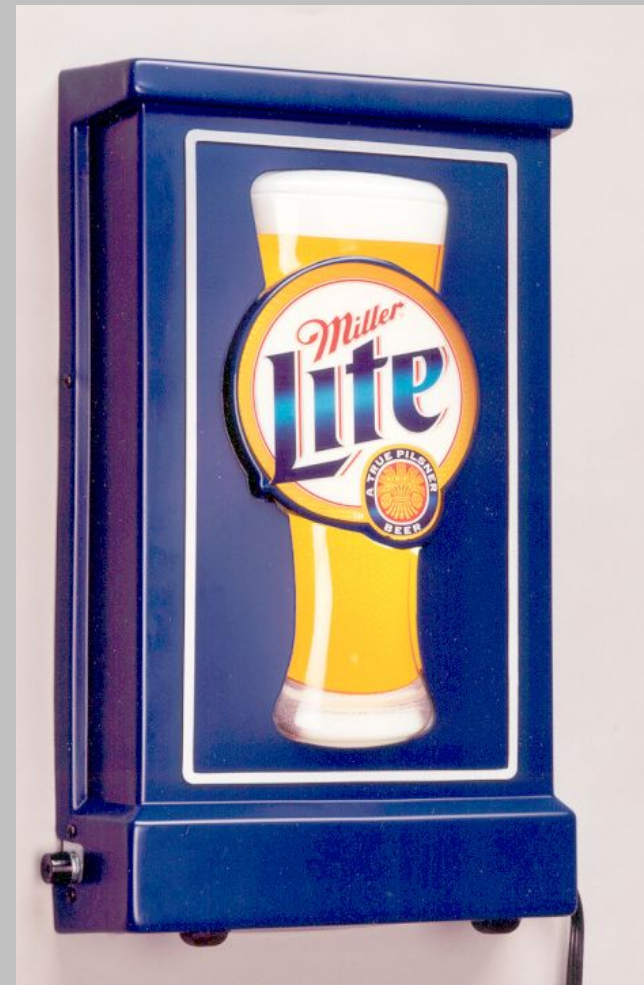
Brian Herbst

Promotional Beer Signs



Brian Herbst

Promotional Beer Signs



Brian Herbst

Promotional Beer Signs



Brian Herbst

Promotional Beer Signs



Brian Herbst

Vacuum Form Patterns



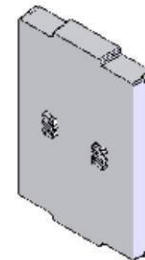
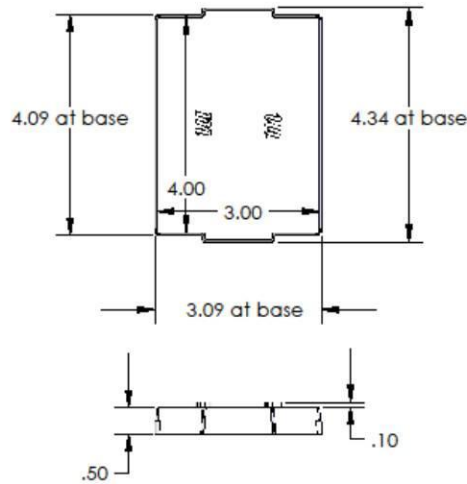
Brian Herbst

Vacuum Form Patterns

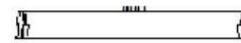




- Vacuum form assembled as beer motion prototype



This drawing is of the inside of the blister pack. It is the minimum area needed for the coupons after the the blister is formed in a female tool.



PROPRIETARY AND CONFIDENTIAL
THE INFORMATION CONTAINED IN THIS DRAWING IS THE SOLE PROPERTY OF MEYERS DEPLY. ANY REPRODUCTION IN PART OR AS A WHOLE WITHOUT THE WRITTEN PERMISSION OF MEYERS DEPLY IS PROHIBITED.

		UNLESS OTHERWISE SPECIFIED:	NAME	DATE	
		DIMENSIONS ARE IN INCHES	DRAWN	BH	
		TOLERANCES:	CHECKED		
		FRACTIONAL: ±	ENG APPR:		
		ANGULAR: MACH: BEND ±	MFG APPR:		
		TWO PLACE DECIMAL: ±	Q.A.		
		THREE PLACE DECIMAL: ±	COMMENTS:		
		INTERPRET GEOMETRIC TOLERANCING PER:	Do not cut tool cavity from this file. This file must be modified to reflect material thickness and material shrink		
		MATERIAL: .025 Rigid clear pvc	SIZE	DWG. NO.	REV
		FINISH: Clear - no tool marks	A		
		APPICATION	SCALE: 1:2	WEIGHT:	SHEET 1 OF 1
		DO NOT SCALE DRAWING			

5 4 3 2 1

Brian Herbst

Tap Knobs



Brian Herbst

Tap Knobs



Brian Herbst

Tap Knobs



Brian Herbst

Tap Knobs



Brian Herbst

Tap Knobs



PLAYSKOOL
baby

Fold 'n Travel™ Infant Carrier

- Adjusts for feeding, rocking and sleeping
- Available with fabric or vinyl cover
- Built-in carry handle
- 3-point waist strap
- Non-skid rubber pads

Folds for Easy Travel & Storage



Adjusts for Easy Feeding and Smooth Rocking!

©1990 Playskool Baby, Inc., Northvale, NJ 07647 U.S.A., a subsidiary of Hasbro, Inc. All Rights Reserved. ® denotes Reg. U.S. Pat. & TM Office. MADE IN USA.

ADULTS NOTE: Before using this product, cut this attachment with scissors and discard both pieces.



REAL WORKING CAP PISTOL!

JAMES BOND JR.™

7812 JAMES BOND JR.™ HOT SHOT CD PLAYER™
Ages: 4 & Up
It really "blasts" out the tunes! The pretend CD Player features cap-firing, booby trap action. Also comes with a .45 caliber cap-firing pistol and removable headphones. Compact disc also becomes detachable weapon.
PK: 6
© Fun Products Ltd., MAC B, Inc. 1991 **TV**

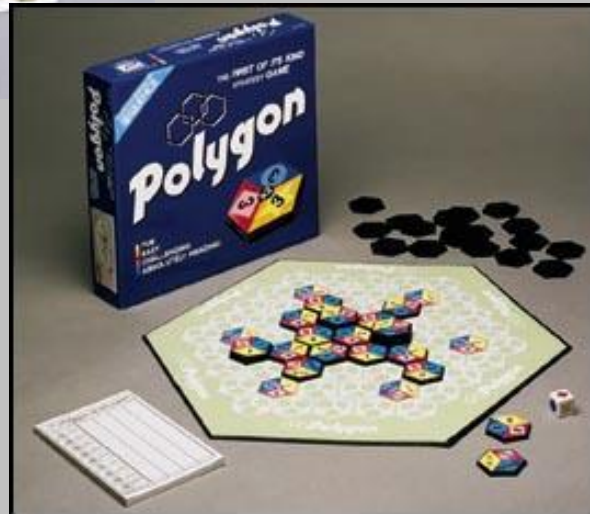
7809 JAMES BOND JR.™ ROCKET WATCH™
Ages: 4 & Up
A real working watch with a hidden, built-in, spring-loaded missile launcher and fold-up target sight! It displays the time, date and seconds. Comes with 4 missiles.
PK: 12
© Fun Products Ltd., MAC B, Inc. 1991 **TV**

REAL WORKING WATCH!

47

Brian Herbst

Toys



Brian Herbst

Toys



5349 Cook 'n Play™ Toaster
Toddler: 12 Mos. & Up

A friendly-faced toaster full of fun activities and happy sounds! Toddlers can slide the clicking lever to make the funny eyes move up and down, or push down on the toast to make the bell ring. Includes 3 funny-faced pieces of toast to stack, nest or drop into the slot. Store the toast inside, open the door on the back to remove. Try me box.
PK: 4



Brian Herbst

Toys



NEW

7590

DRAG STRIP

Ages: 6 & Up

It's burnin' rubber action as racers test their cars' speed on this high-performance drag strip! Features Fair Start Launcher and automatic winner's flag mechanism that drops on the winner's side of the track after the car crosses the finish line. Also comes with 2 curved track sections, 4 straight track sections, 2 "Y" curved track sections and more.

PK: 2

TV

Record Breakers™ Cars Not Included.



Winner's Flag Drops Automatically!

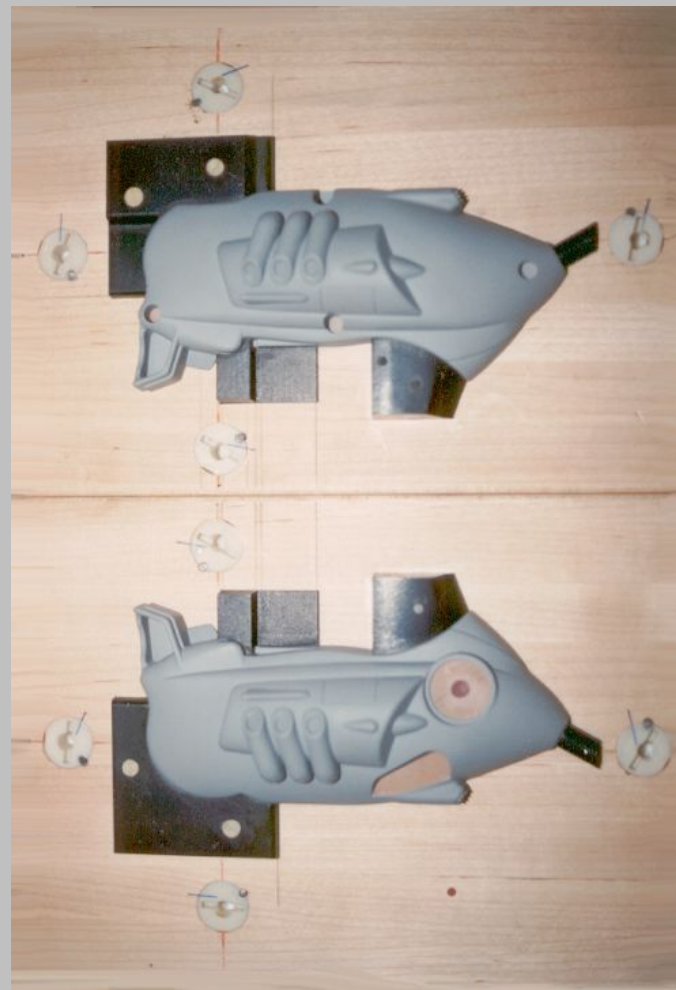
Fair Start Launcher for Fair Starts Every Time!

STP® trademark used under license from First Brands Corporation.
CHAMPION trademark is used by permission and is the registered trademark of Champion Spark Plug Company.
The trademark SHELL and pecten design are used under license from Shell Oil Company.

Record Breakers
WORLD OF SPEED

Brian Herbst

Injection Mold Patterns



Brian Herbst

Architectural Models

