



360° Articulation

Full way articulation probe

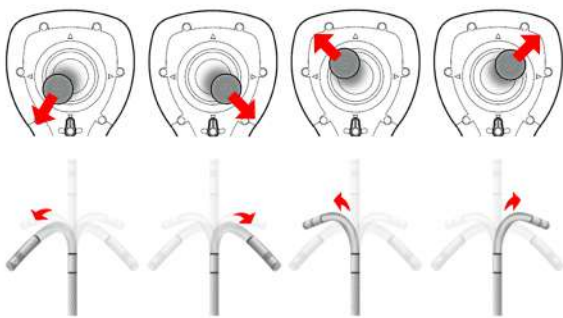
360° articulation provide flexibilities in narrow space inspection.

High density stainless steel braided tube provide durability, flexibility and also rusty, water and temperature resistant.

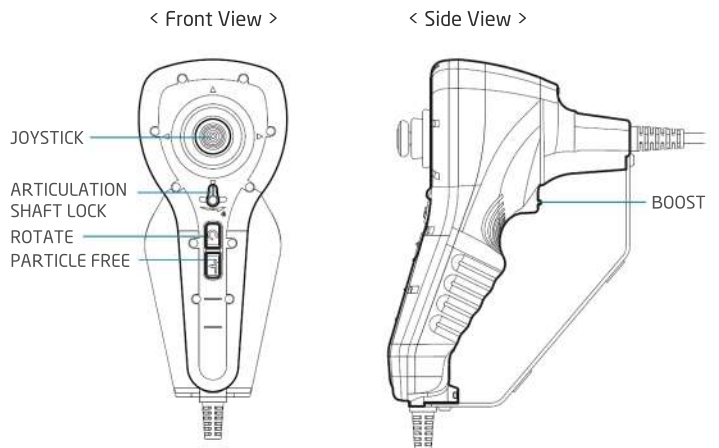


[Watch Video on YouTube](#)

Joystick Articulation

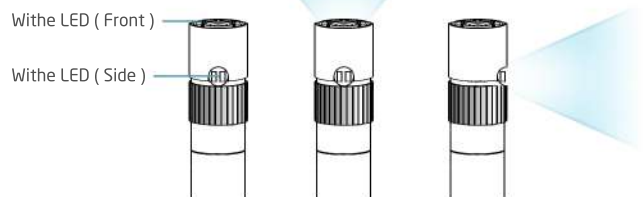


Product Outlook



Dual View Mirror

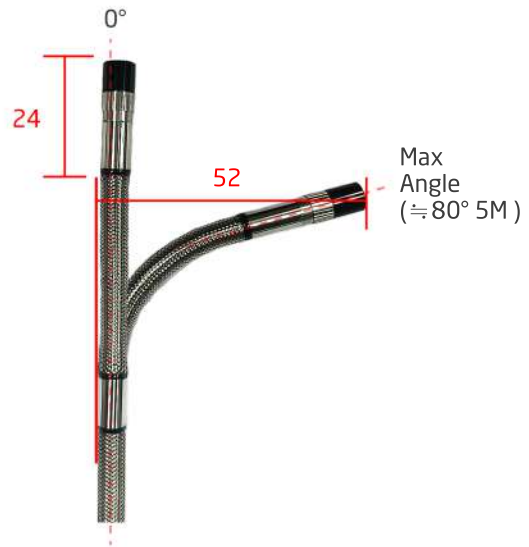
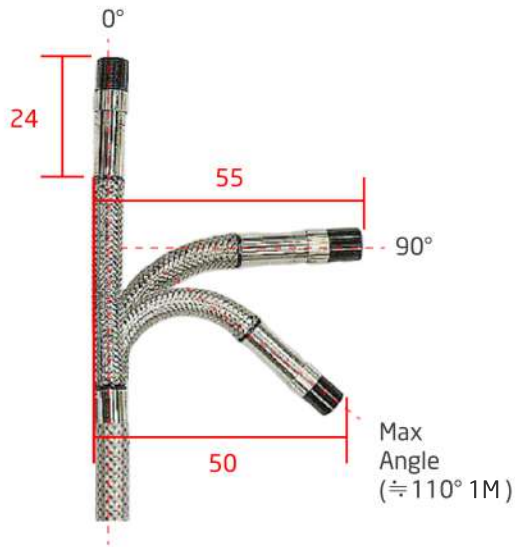
6.0mm articulation exclusive use mirror.
To see front view and side view simultaneously.
(Recommend to collocation 7 inch main console system)



Articulation Detail



(Articulation Comparison)



unit : mm

Hyperion Function

- Clearer images on monitor (640 x 480 resolution)
- Brighter images in low-light conditions
- Anti-reflection and particle-free view on metal or mirror surface
- 90° view rotations during inspection



BRIGHTER IMAGE

Light enhancement under low - light condition.



ROTATION IMAGE

Four 90° view rotation to identify codes.



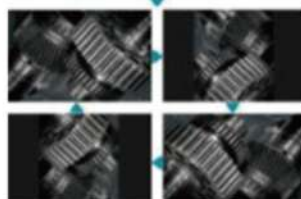
ANTI-REFLECTION

Reduce reflection on metal or mirror surface.



PARTICLE-FREE

To eliminate the dust on the mirror without wipe.



Available Console System



with JK Console System (7 inch)



with JF Console System (3.5 inch)

- Main Console System JK System (7 inch 800 x 480)
- Snapshot / Video Recording 640 x 480
- 5X Zoom In (1.5X / 2.0X / 5.0X)
- Mirror Image and Image Rotation
- USB to PC connection Live View
- Long duty hour up to 6 hrs
- IP57 Waterproof
- 1M Droptest

- Main Console System JF System (3.5 inch 320 x 240)
- Snapshot / Video Recording 640 x 480
- 2X Zoom In and Mirror Image
- Long duty hour up to 4 hrs
- Basic Console System

Specifications

Insertion Tube & Camera System		
Diameter	Ø 6.0 mm	
Head Length	24 mm	
Head Material	Stainless Steel	
Resolution	640 x 480 (VGA)	
F.O.V	87°	
D.O.F	10 mm ~ 100 mm	
Light Source	Front / Side (Withe LED)	
Material	Outer braided stainless steel	
Length	1M / 3M	5M / 7M (Customized)
Working Temperature	-10 C ~ 60 C	
Articulation Angle	Full ways ≥ 110	Full ways ≥ 80
Articulation Radius (at angle 90°)	≈ 55 mm (1M)	
Articulation Radius (at max angle)	≈ 50 mm (1M)	
Mirror	Available (DualView, 70° / 90° / 110° View)	