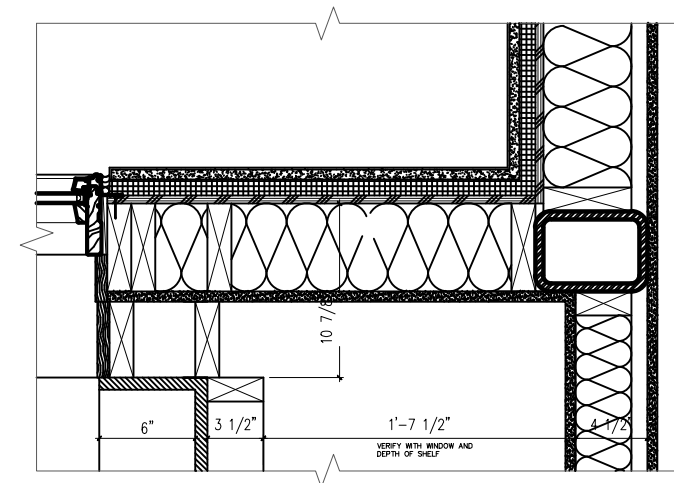
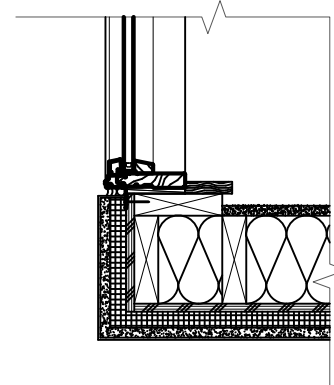
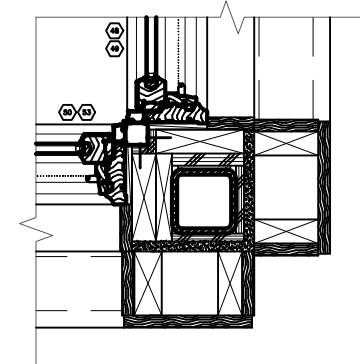
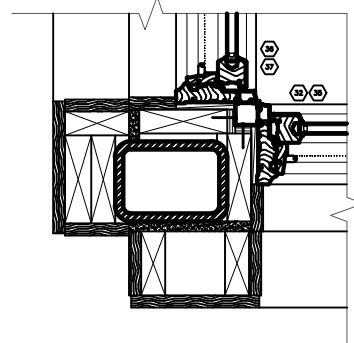
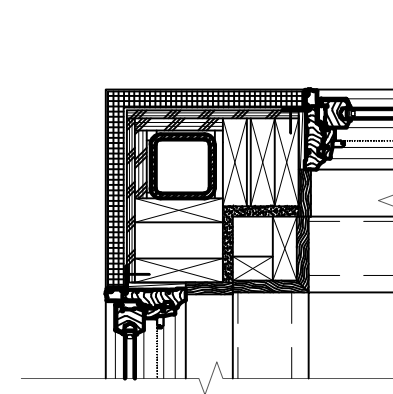
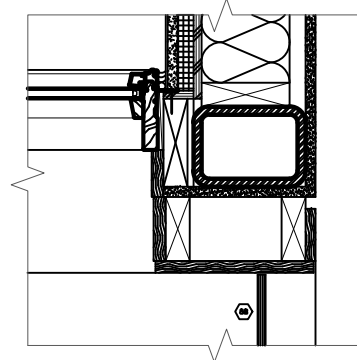


T.O. STEEL BEAM



1'-7 1/2"

VERIFY WITH WINDOW AND DEPTH OF SHELF