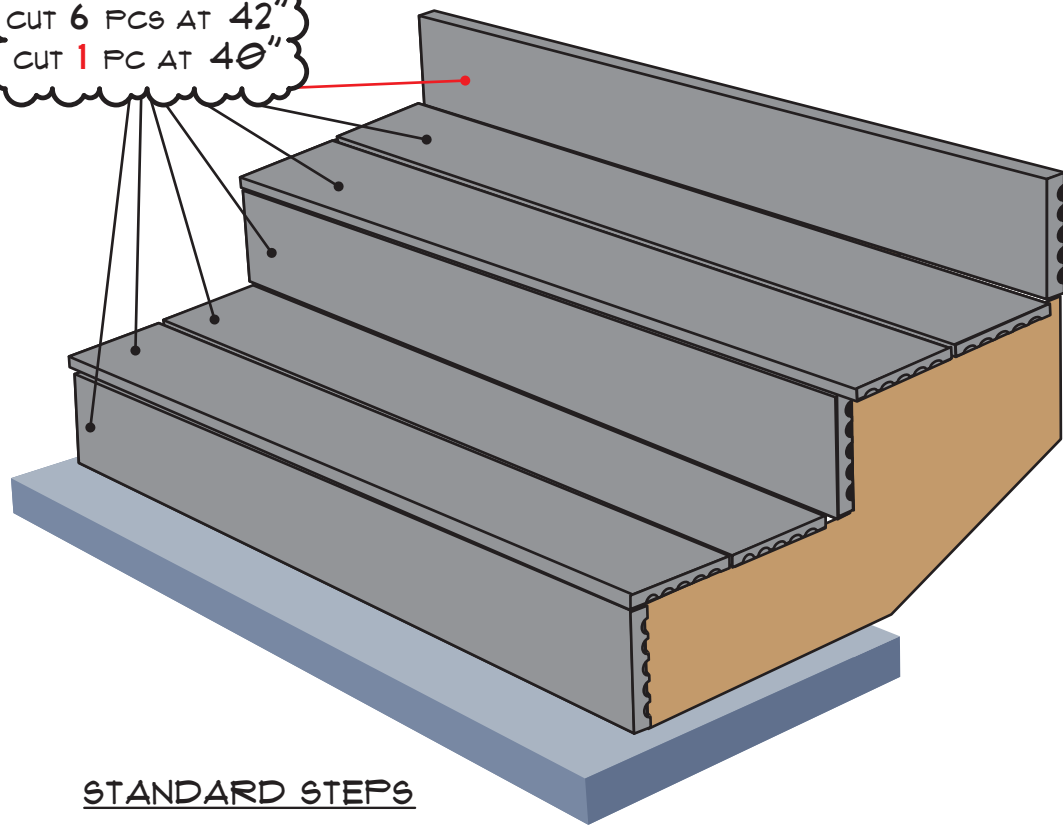


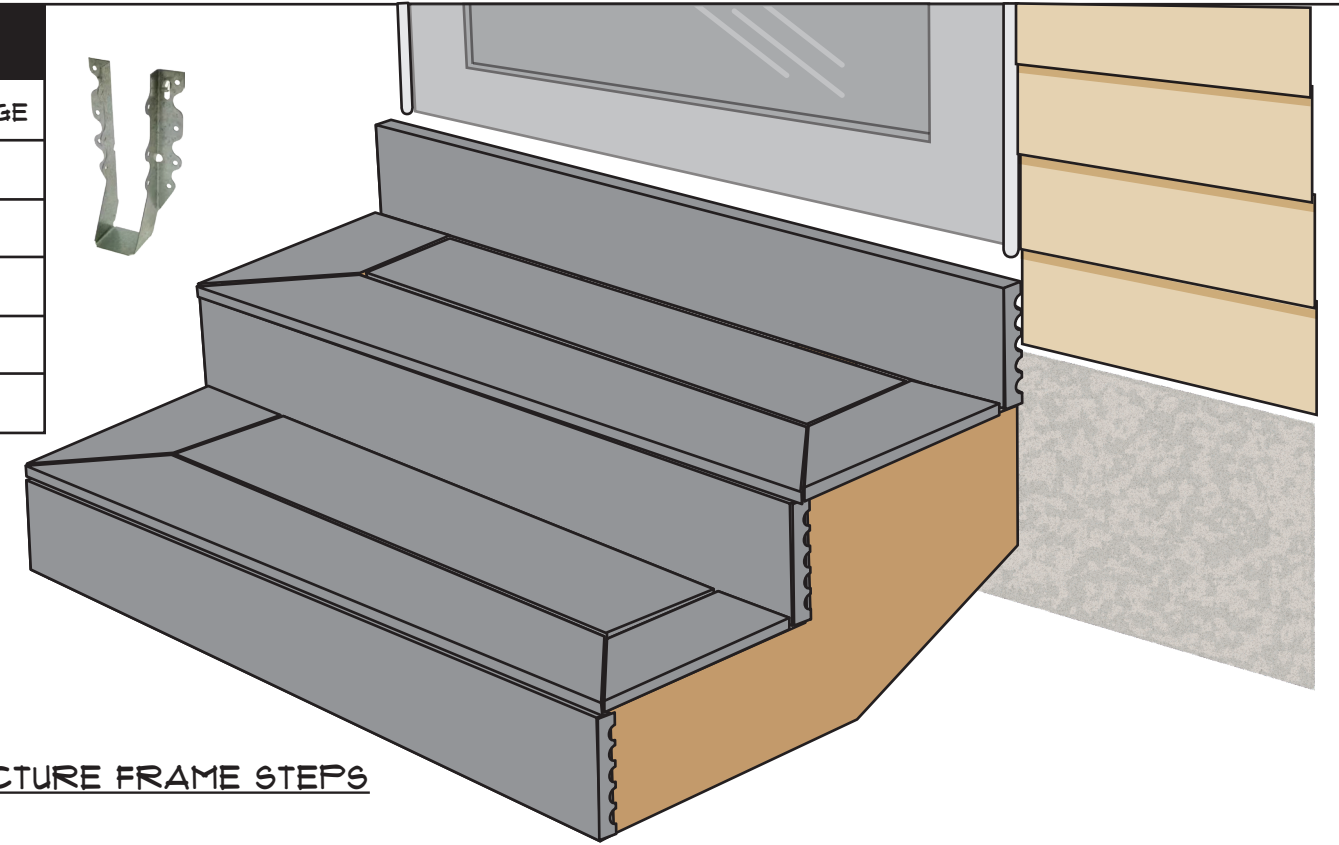
CUT 6 PCS AT 42"
CUT 1 PC AT 40"



STANDARD STEPS

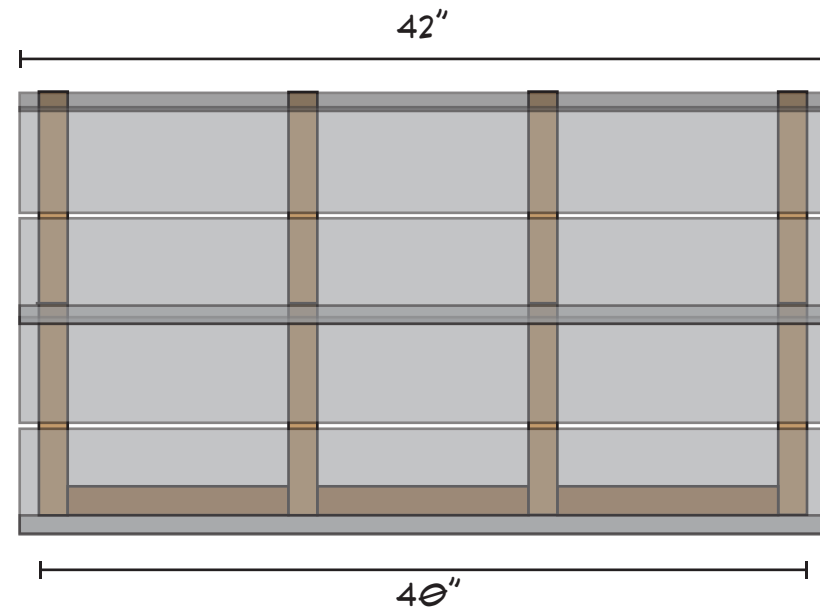
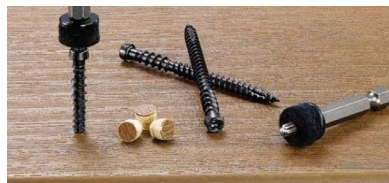
PARTS LIST	
4	1" x 6" x 8 FT. TREX ROCKY HARBOR SQUARE EDGE
4	2 STEP STRINGER
4	ADJUSTABLE METAL STRINGER HANGER
1	BOX OF CORTEX HIDDEN FASTENING SYSTEM FOR TREX SELECT DECKING - 2-1/2 INCH CORTEX SCREWS AND PLUGS
2	GREY CONCRETE STEP STONE 24" x 24" x 2"

NOTE: CUT (1x) 5.75" x 11" x 1.5" WOOD BLOCK
(2x) 5.75" x 11.5" x 1.5" WOOD BLOCK

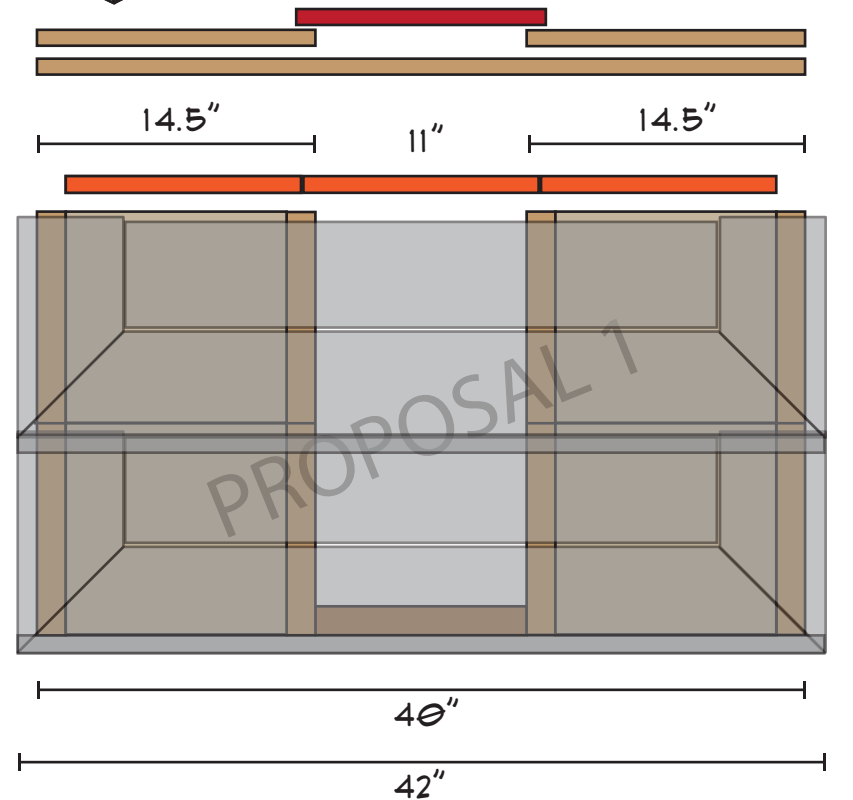


PICTURE FRAME STEPS

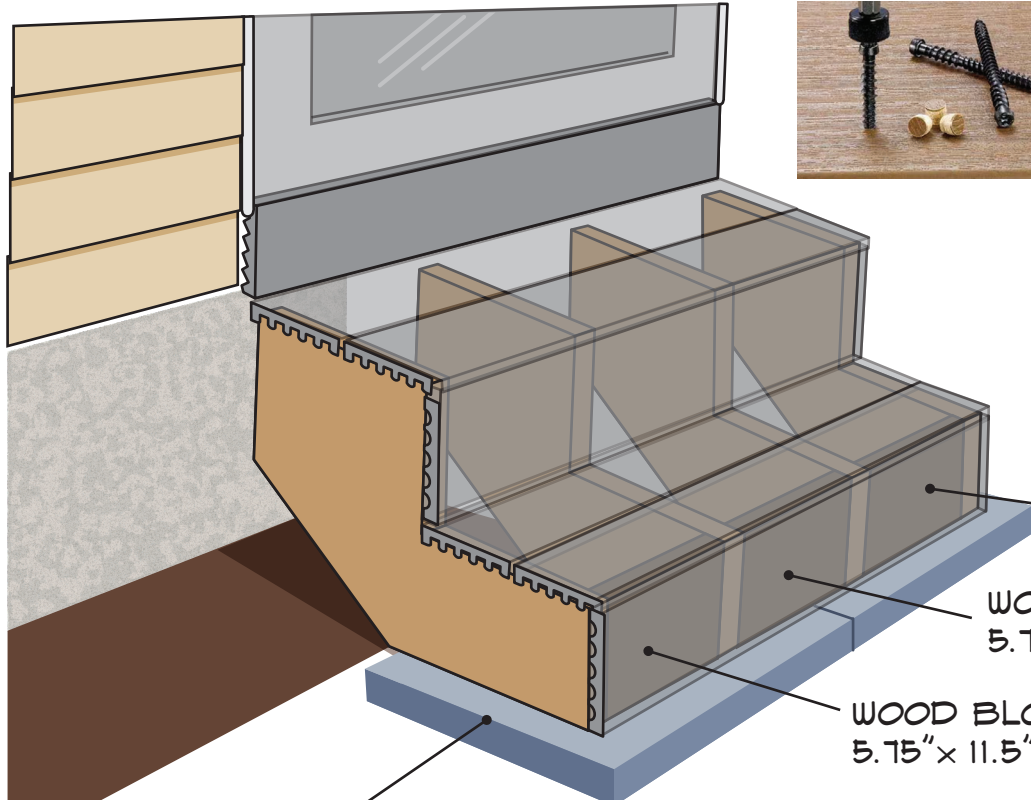
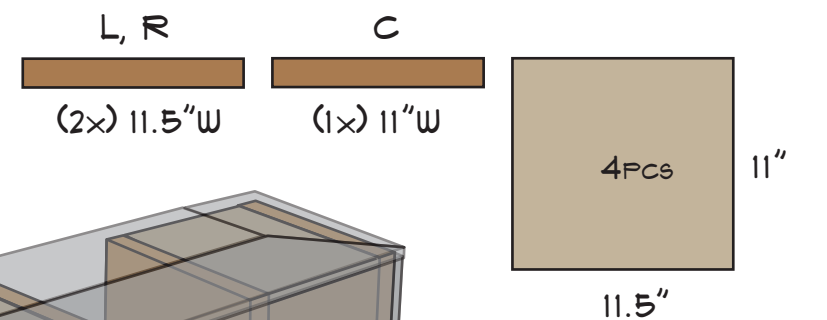
8 CORTEX DECKING SCREWS PER PLANK



STANDARD PLANK STEPS



PROPOSAL 1

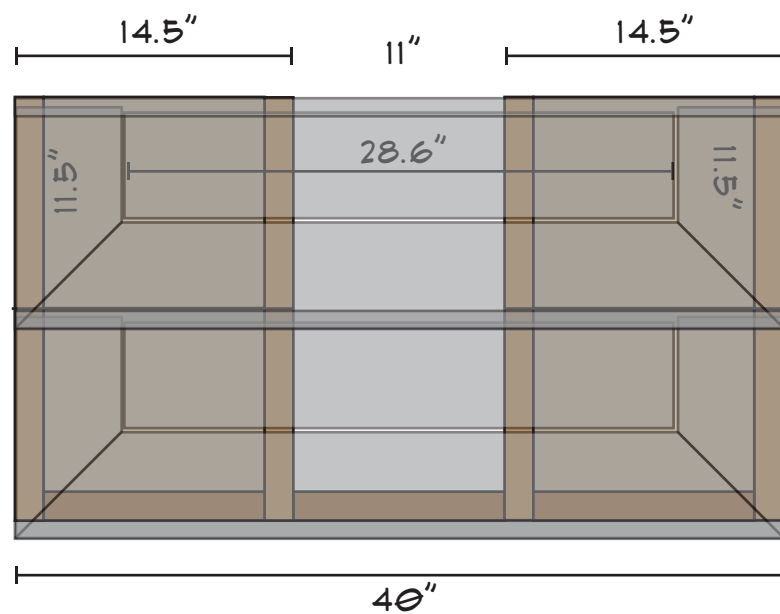


CONCRETE STEP STONE

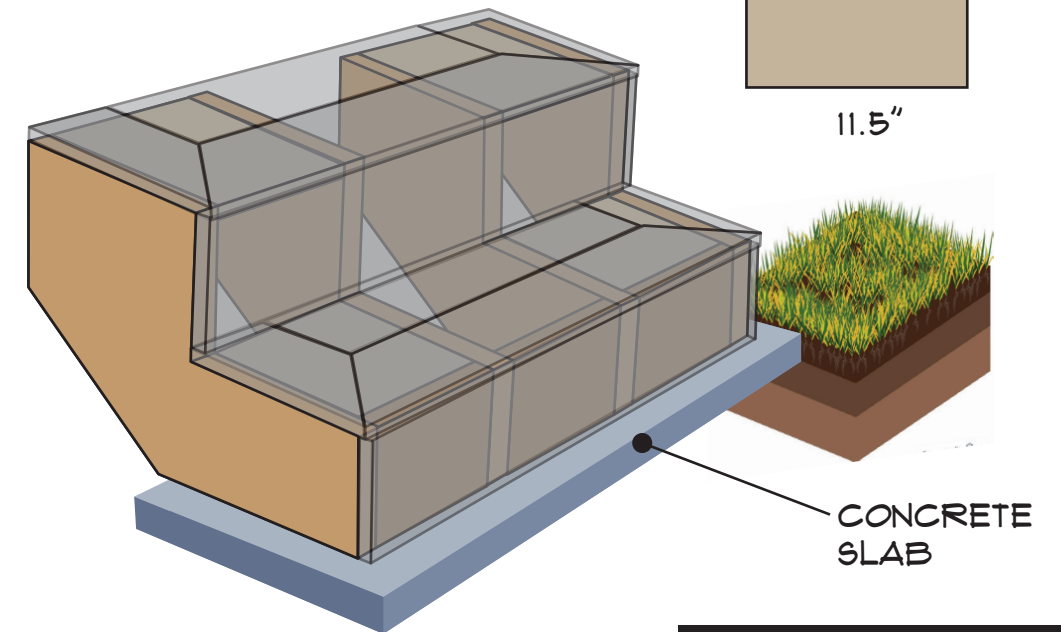
WOOD BLOCK 5.75" x 11.5" x 1.5"

WOOD BLOCK 5.75" x 11" x 1.5"

WOOD BLOCK 5.75" x 11.5" x 1.5"



PICTURE FRAME STEPS



CONCRETE SLAB

SIDE STEPS