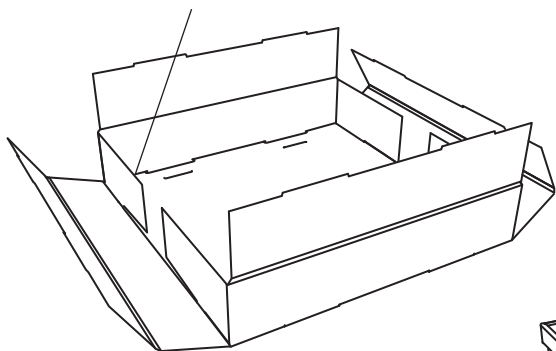
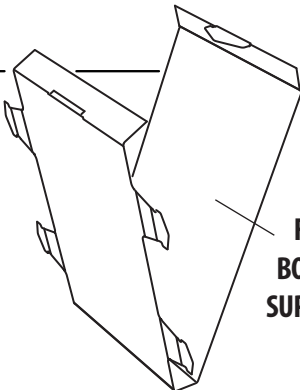


1 FOLD TRAY - FLAPS INSIDE

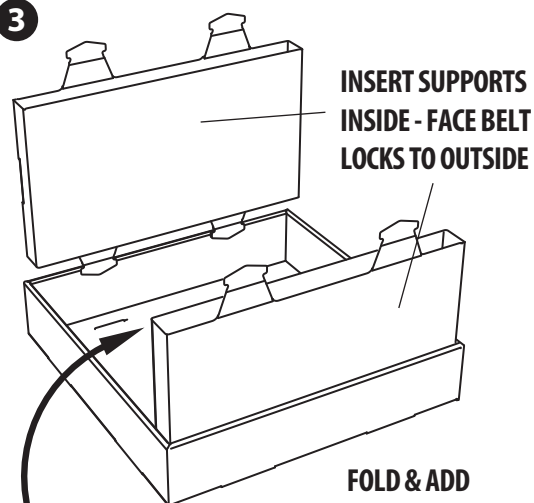


2



FOLD
BOTTOM
SUPPORTS

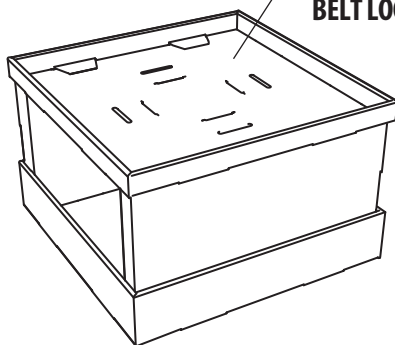
3



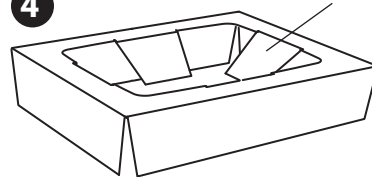
INSERT SUPPORTS
INSIDE - FACE BELT
LOCKS TO OUTSIDE

FOLD TRAY -
SLIDE OVER
BELT LOCKS

5



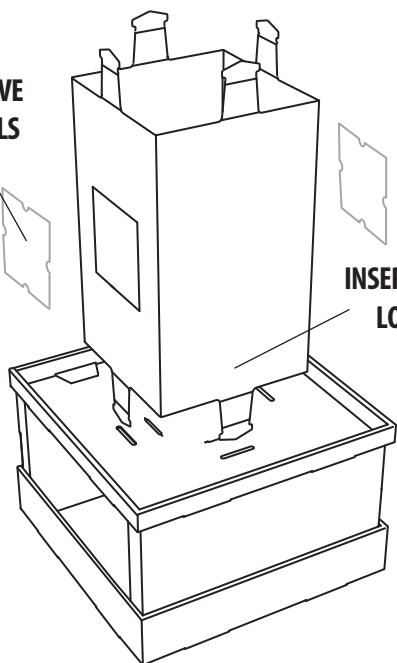
4



FOLD & ADD
LITTER TRAY INSERT
TO BOTTOM TRAY

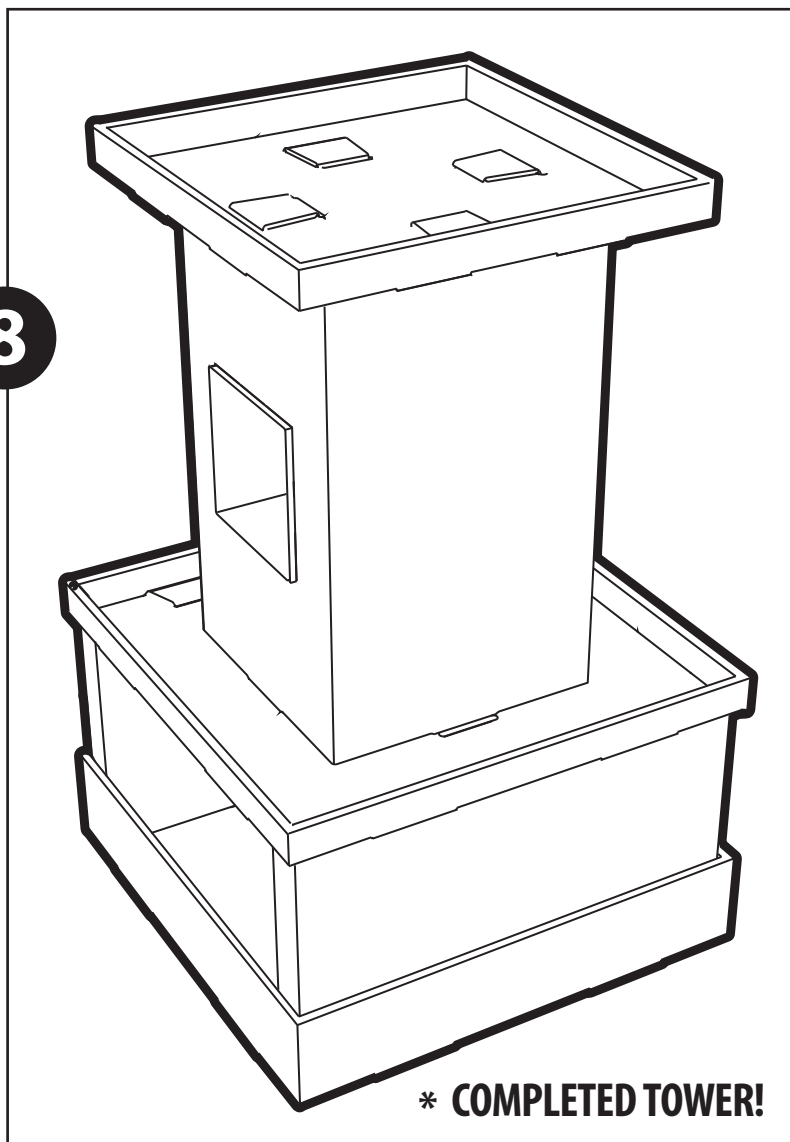
REMOVE
PANELS

6



INSERT BELT
LOCKS

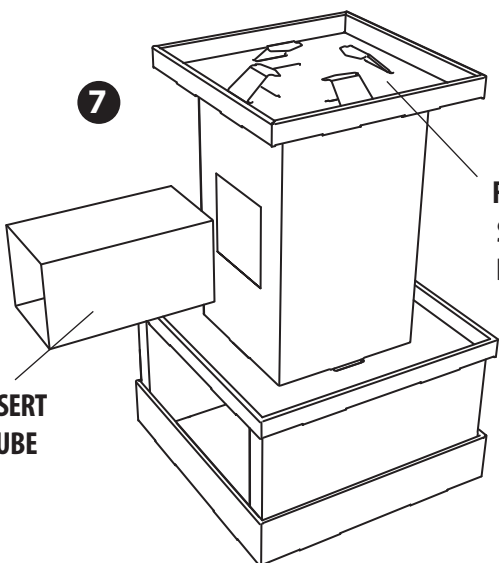
8



7

FOLD TRAY -
SLIDE OVER
BELT LOCKS

INSERT
TUBE



*** COMPLETED TOWER!**

** Add four single-wide and two double-wide scratchers (or cat bed) to lower and upper levels respectively.*