

# WOOD INNOVATION AWARDS

2025

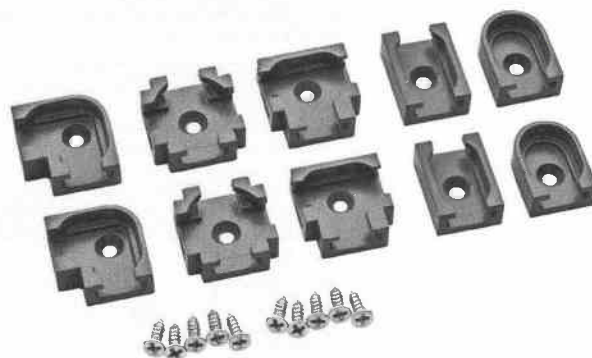
Sometimes innovation is revolutionary; this year, it was evolutionary. We rounded up an eclectic collection of products that elevate the craft of woodworking by improving on tools and expanding on systems.

WRITER: DAVE STONE  
PHOTOGRAPHERS: CARSON DOWNING,  
BRIE GOLDMAN, MANUFACTURER-PROVIDED

## CREATE CONNECTIONS IN T-TRACK SYSTEMS

Rockler's new T-track drop-ins make it easy to connect, turn, and terminate tracks, and provide convenient places to insert and remove track bolts without having to slide them through entire lengths of track. Made from aluminum, the drop-ins are available in five styles: T-intersections, end caps, 90° corners, 4-way intersections, and in-line inserts. All fit into a 3/8x3/4" slot or can be surface mounted, and attach with a single included screw. While designed to work with Rockler's T-tracks, the fittings are compatible with almost any aluminum track that shares a similar profile. Buy each type separately in packs of four, or pick up a starter kit that includes two of each.

**T-TRACK DROP-IN STARTER KIT**  
Rockler, [rockler.com](http://rockler.com)  
No. 75139, \$30



## DADO BLADE HAS A LOCK ON SETUP SIMPLICITY

The CMT 8" Locked Dado Pro includes unique plastic spacers with shaped keys that fit into cutouts in the blades and chippers, locking them together to prevent slipping. While this helps the blade comply with a European safety standard, on this side of the pond, we were more impressed with how the locking design makes it super easy to install and remove from the saw. Instead of sliding the blades and chippers onto the arbor one at a time then rotating them to position the teeth, simply stack the blades, chippers, and spacers (along with included shims, if needed) then slide the whole assembly onto the arbor.

The blade cuts 19 dado widths from 15/64–13/16", and produces smooth bottoms and crisp edges thanks to blades with alternating flat and beveled top grinds plus flat-top chipper teeth, all set at a -12° hook angle.

**LOCKED DADO PRO**  
CMT, [cmtorangetools.com](http://cmtorangetools.com)  
No. 230.312.08, \$135



## SANDING DISKS GET AN ALL-NEW DESIGN

The hourglass-shaped abrasive clusters on Mirka's Ultimax Ligno sanding disks give them a distinctive look and, according to the company, distinct performance improvements.

Those clusters are composed of a proprietary blend of aluminum-oxide and self-sharpening ceramic particles that the company says lasts longer and cuts more effectively than other blends. According to Mirka, the clusters distribute pressure more evenly and forcefully while presenting hundreds of tiny edges to improve cutting efficiency.

The spaces between abrasive clusters provide pathways for sanding dust to move toward the multiple holes in the disk where it can be collected by your sander, regardless of its dust-collection hole pattern.

We definitely appreciate making sanding more efficient, so we're anxious to test these head-to-head against other disks. Already, though, we love one simple feature: The sanding grit is printed on the abrasive face, meaning you don't have to pull your disk off the sander to see what grit you're using.

**ULTIMAX LIGNO SANDING DISCS**  
Mirka, [mirka.com](http://mirka.com)  
From \$0.50/disk, depending on quantity

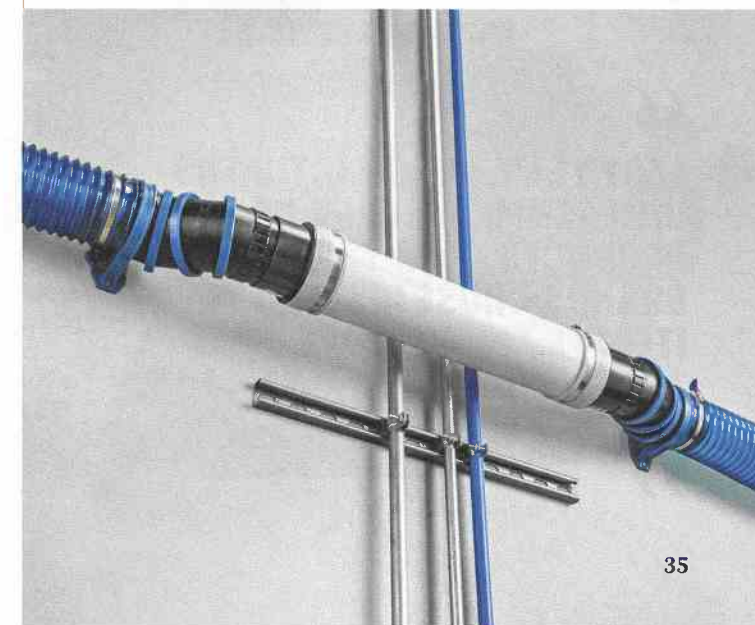


## ARTICULATING PORT FOR DUST-COLLECTION DUCTS

Rockler adds another handy component to its growing Dust-Right dust-collection lineup with its articulating dust port. These ports are made up of wedge-shaped sections that independently rotate 360°, allowing you to contort the shape to make turns or route around obstructions. The segments hold position well, and are repositionable if you reconfigure your system.

Made from thick plastic, the ports are available in 4" or 2 1/2" outside diameter, and feature ridges that lock into Rockler's mounting brackets, sold separately.

**DUST-RIGHT ARTICULATING PORTS**  
Rockler, [rockler.com](http://rockler.com)  
4" port no. 77128, \$18; 2 1/2" port no. 78447, \$13





## DUST-COLLECTION FITTINGS HAVE MAGNETIC PERSONALITIES

Woodcraft hopes to simplify moving a dust-collection hose from one machine to another with its new line of MagFitt magnetic dust hose connectors and machine couplings.

Made from ABS plastic, these new connectors feature rare-earth magnets embedded in the flange on the hose connector fitting along with a mating metal ring on the machine coupling. The two halves stick together easily without requiring excessive force to pull apart, and they seal well to prevent dust leaks and airflow loss.

Machine couplings are available in 2½" and 4" sizes, as well as a 4" to 2½" reducer. Hose connectors come in 2½" and 4" sizes.

**MAGFITT DUST-COLLECTION FITTINGS**  
Woodcraft, [woodcraft.com](http://woodcraft.com)  
MagFitt dust-collection fitting system, \$9-\$20

## REEL IN SQUARE BOX ASSEMBLIES

An out-of-square box, drawer, or cabinet carcass can usually be trued up with a bit of clamping pressure across the longer of the two diagonals. But that can require a very long clamp, along with corner blocks to help hold the clamp jaws in place and three or four hands to set it all up.

This clamp takes a different approach with padded brackets that hook over corners easily, a nylon strap that connects them for up to 7' of reach, and a ratcheting crank. Simply extend the strap, hook the brackets across the longer diagonal, and crank to pull the corners inward until both corner-to-corner measurements are equal. The stepped design of the brackets even makes room for your tape measure.

**SQUARE-IT BOX-SQUARING CLAMP**  
Rockler, [rockler.com](http://rockler.com)  
No. 77860, \$50



“**LAST YEAR, MANUFACTURERS UNLEASHED A FLURRY OF NEW PRODUCTS. THIS YEAR, MANY BRANDS CHOSE INSTEAD TO ITERATE AND IMPROVE ON THEIR TOOL LINES.**

—DAVE STONE, MANAGING EDITOR

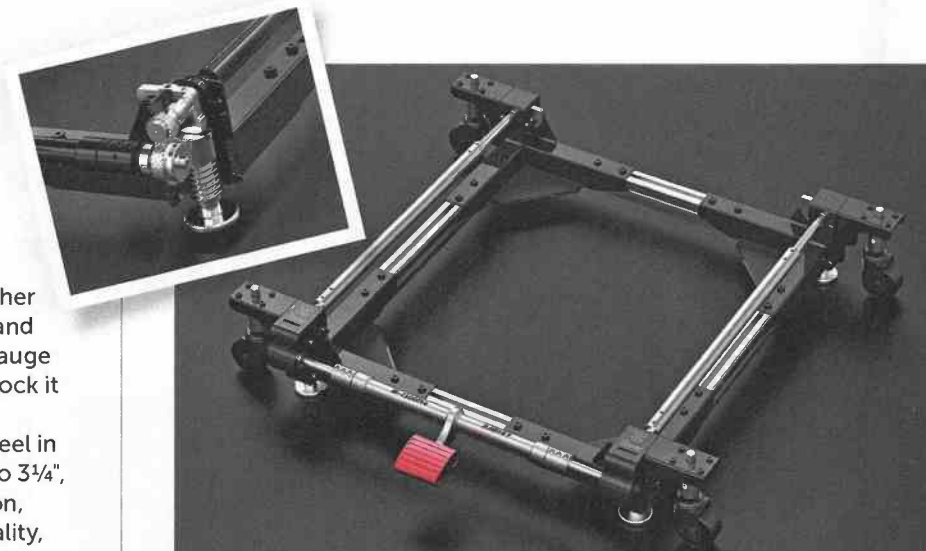
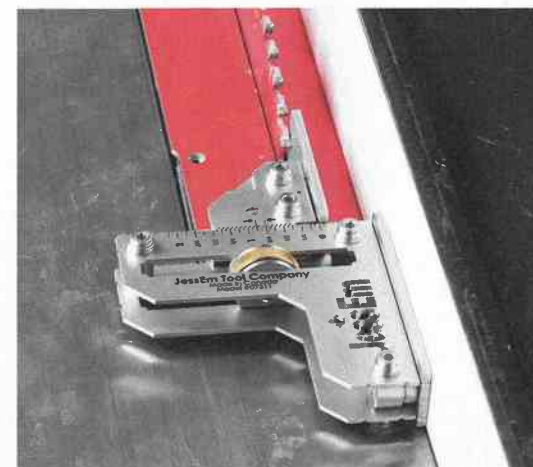
”

## PRECISELY SET UP BITS, BLADES, AND MORE

JessEm hopes to replace multiple setup tools in your shop with a new gauge that works for setting blade and bit heights, fence positions, drilling depths, and more. Scales etched on both sides register off either face of an adjustable arm, allowing inside and outside measurements. The tool-setting gauge adjusts in ¼" increments, with teeth that lock it in place with the turn of a large dial.

JessEm makes the tool from stainless-steel in two sizes. The large version measures up to 3¼", the small up to 2". We tried the large version, and were impressed with its heft, build quality, and accuracy. Versions with metric scales are also available in both sizes.

**STAINLESS-STEEL TOOL SETTING GAUGE**  
JessEm, [jessem.com](http://jessem.com)  
Large, no. 07310, \$85; small, no. 07311, \$63;



## ONE PEDAL DEPLOYS FOUR FEET TO KEEP SWIVELING MOBILE BASE STEADY

Harvey Industries equipped its new Spider M-1500Pro mobile base with features designed to simplify moving woodworking machines. Four swivel casters allow you to rotate the machine 360° in a small space and roll it in any direction. Each caster height adjusts individually to level your machine on floors that are uneven or sloped as much as ¼" per foot.

Unlike other mobile base mechanisms that lever the casters to raise the base off of its fixed legs, the Spider uses a single foot lever that simultaneously raises and lowers all four legs to fix the base in place while the casters maintain contact with the ground. Each leg offers adjustable spring pressure to provide adequate downward pressure.

With a weight capacity of 1,500 lbs, the Spider base adjusts to handle machine footprints from 16½"x20⅞" to 25¼"x29⅝"x6¼". An adjustable extension (no. M-1500E) sells separately.

**SPIDER PRO MOBILE BASE**  
Harvey Industries, [harveywoodworking.com](http://harveywoodworking.com)  
No. M-1500Pro, \$469

## BENCHTOP PLANER OFFERS FLOOR-MODEL CAPACITY AND POWER

The Oliver 10055 planer offers capacities usually reserved for stationary machines. With a wider throat and 15x23" table plus extensions, it has a capacity that exceeds its lunchbox-planer competitors, handling boards up to 15" wide by 6" thick. A big mouth needs to be backed by big cutting power, so Harvey included a 2hp, 230-volt motor. The planer cuts at two feed speeds—12' or 20' per minute—using a helical cutterhead that holds 40 four-sided cutters.

We haven't tested a production model yet, but we made a few planing passes with a prototype at the International Woodworking Fair last summer. We were impressed with the machine's power, quiet operation, and planing results. At almost 160 lbs, benchtop doesn't mean portable in this case, but we appreciate having large capacity and 230-volt power in a benchtop machine at a fraction of the price of many of its stationary counterparts. 🌱

**10055 BENCHTOP PLANER**  
Oliver Machinery, [olivermachinery.net](http://olivermachinery.net)  
No. 10055, \$1,699

