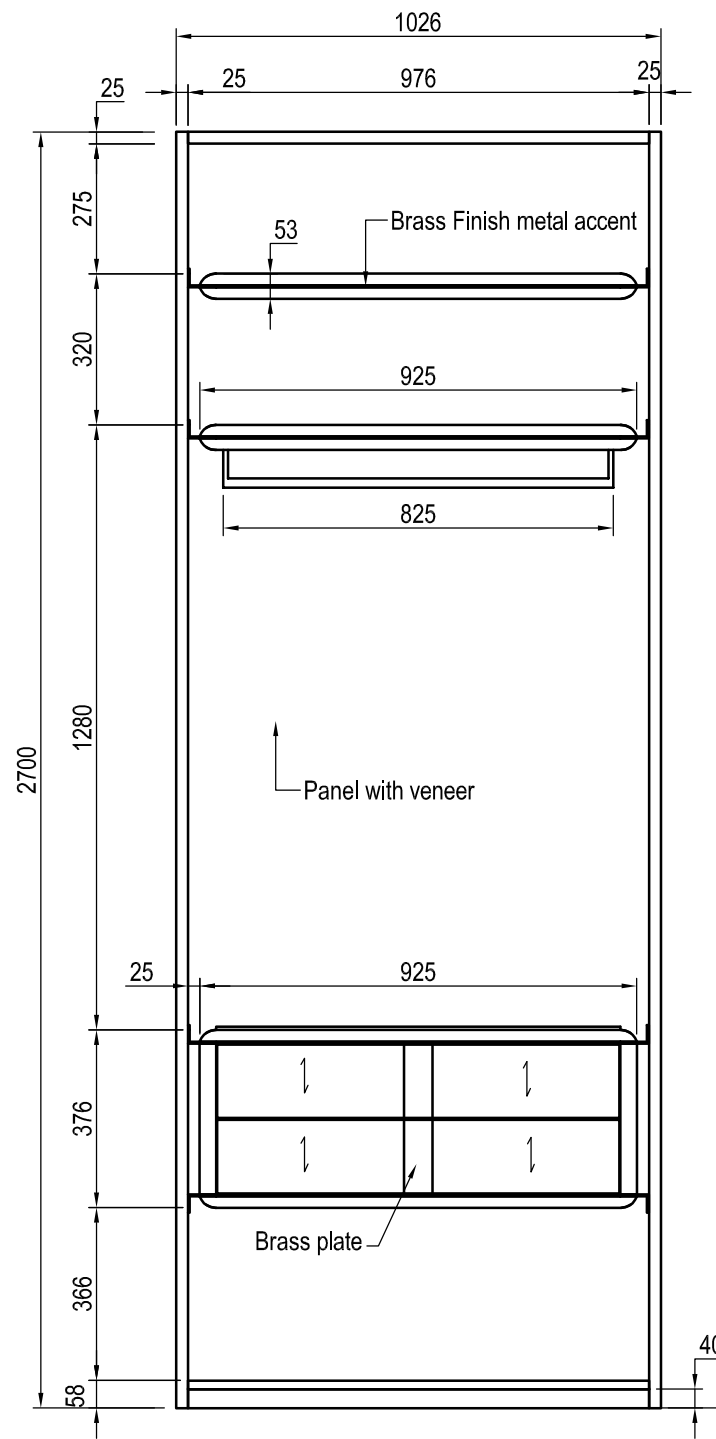
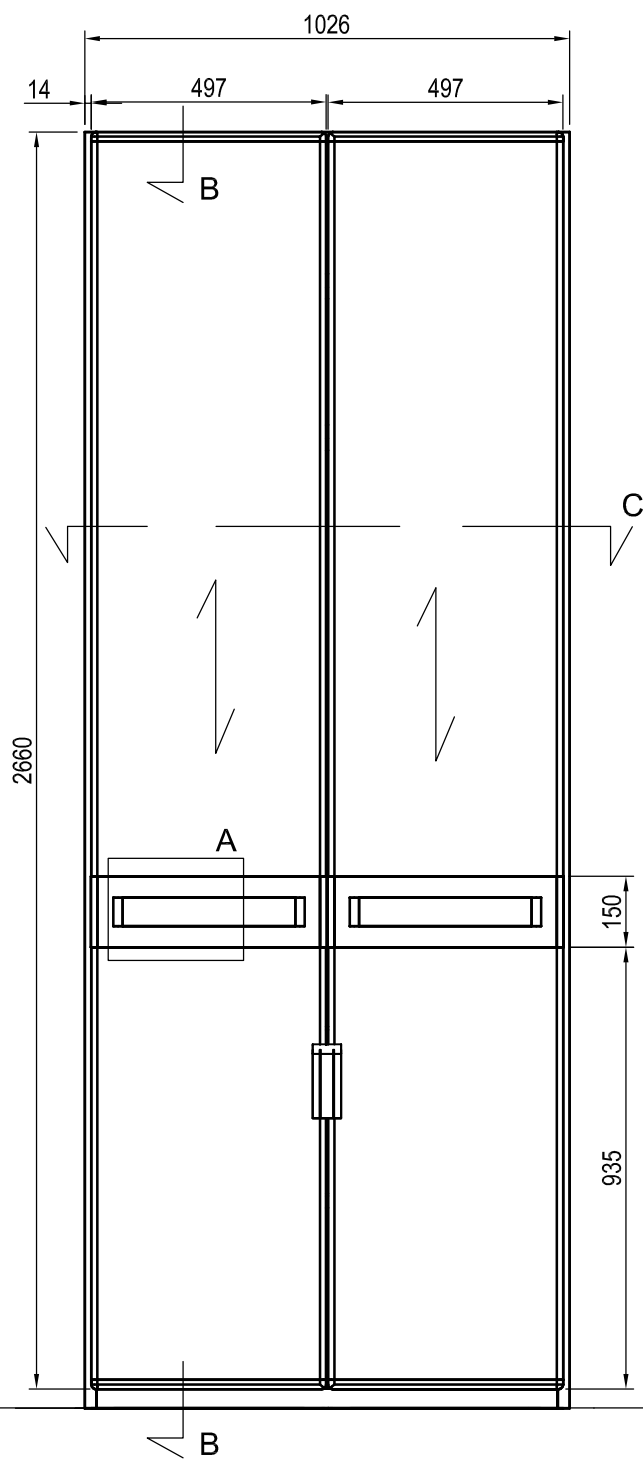


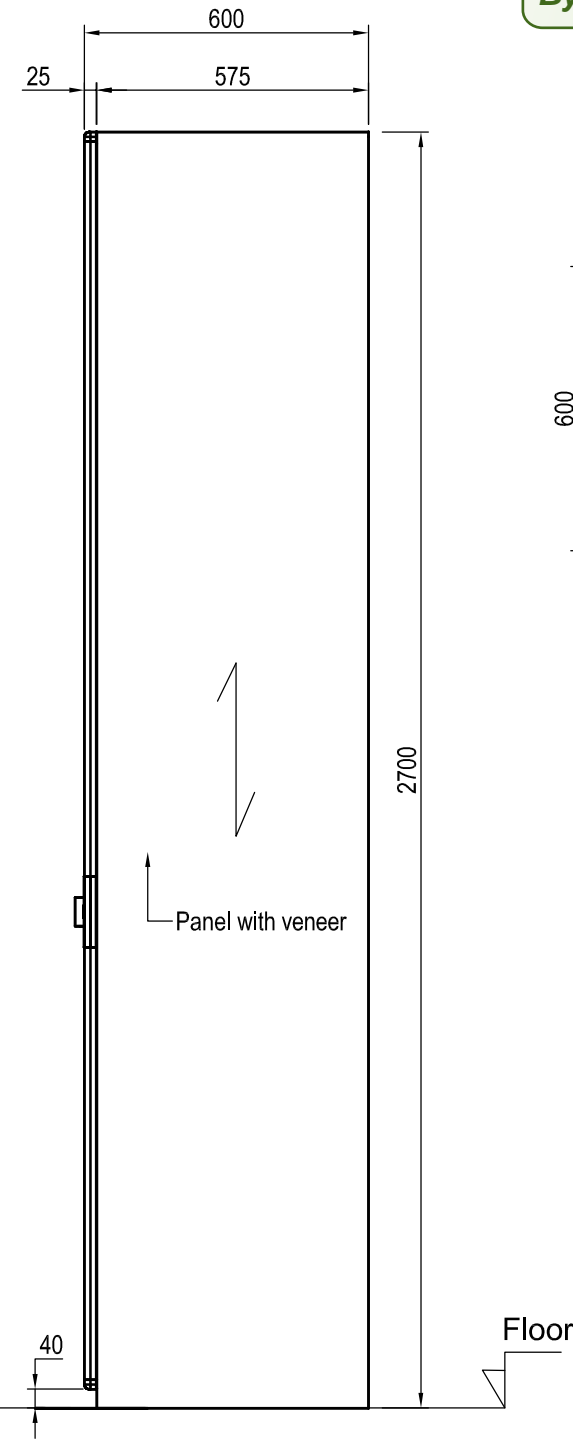
APPROVED
By Michael Ogle at 3:59 pm, Aug 25, 2022



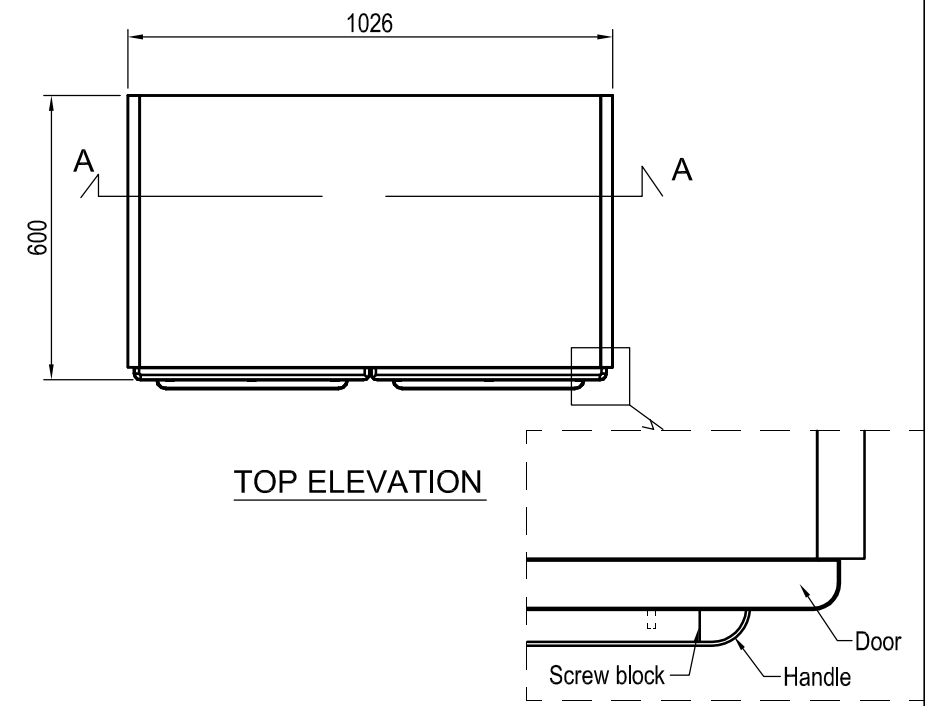
FRONT ELEVATION
without Door



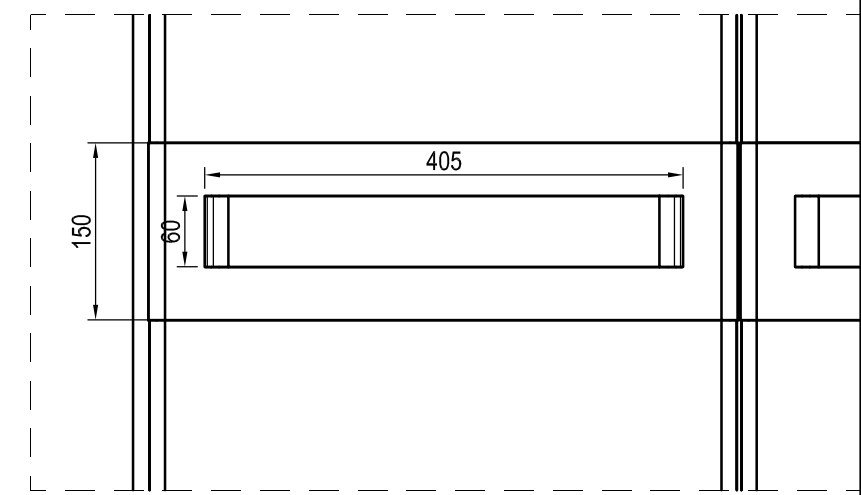
FRONT ELEVATION



SIDE ELEVATION



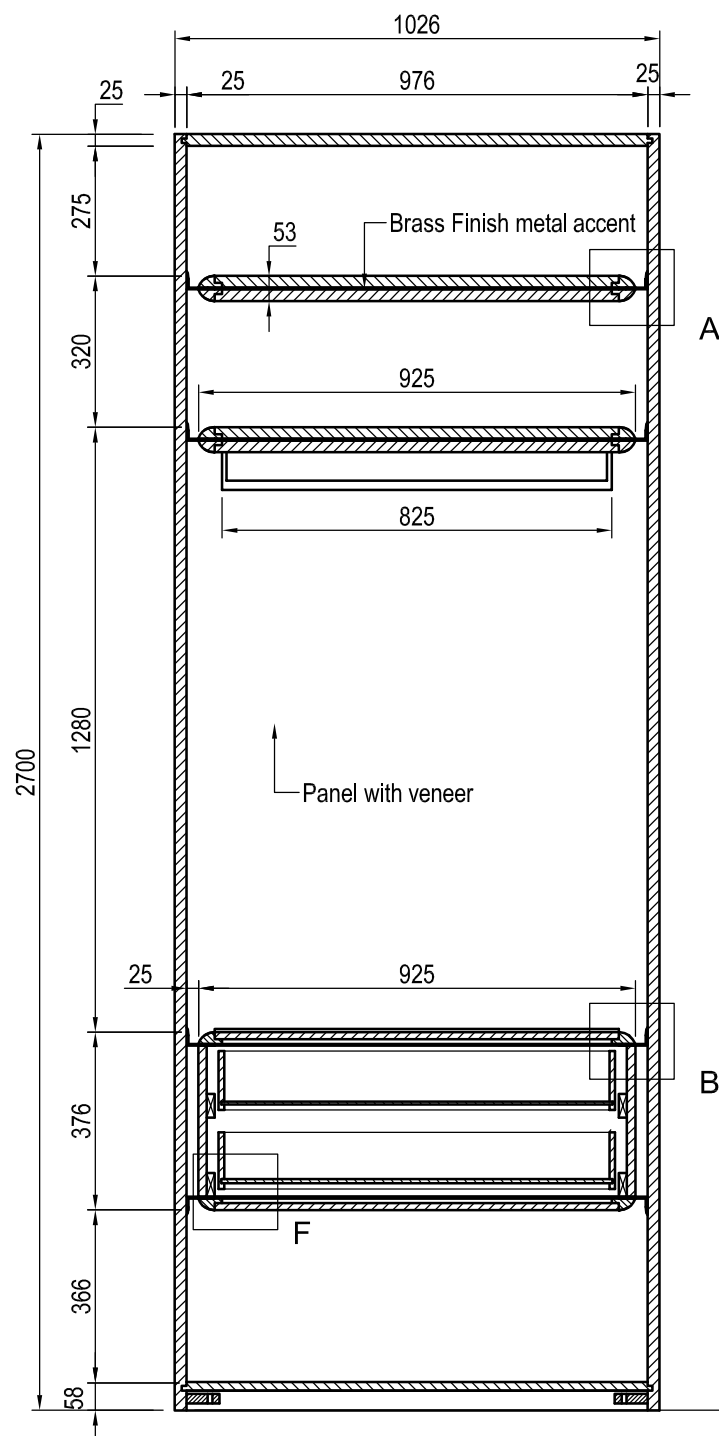
TOP ELEVATION



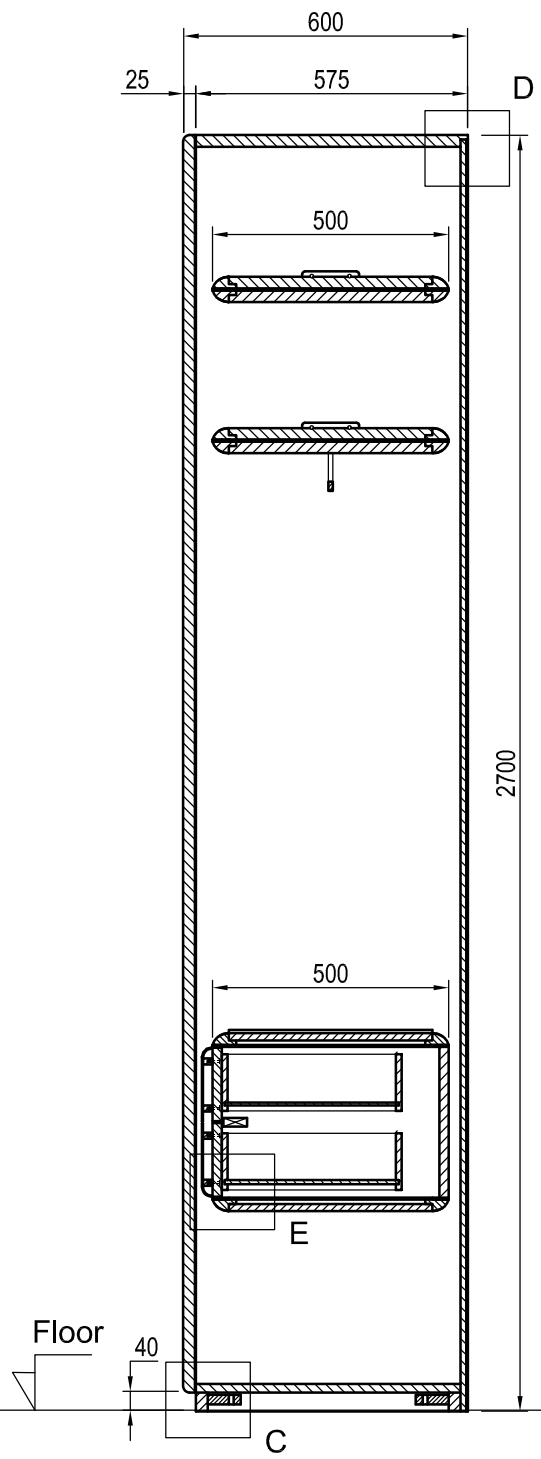
DETAIL A

NOTE : Top of shelf and box with leather
 Brass finish metal accent
 Hettich 9181225 undermount softclose drawer slides
 Solid wood finish stained to match Veneer
 Plywood panel with veneer

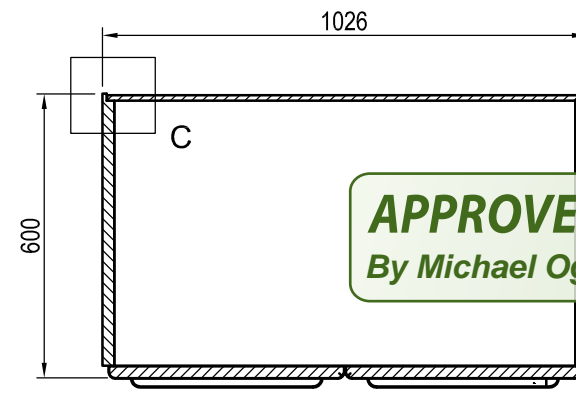
	NAME	DATE	SUNDAY	
DRAWN	WIDI	25/08/2022		
REF				
SCALE	1 : 16			
FILE NAME	TREASURY COLLECTION			
TRS-001	ARMADIO BELLO	SIZE A3	DWG NO :	REV #
FRONT ELEVATIONS		Size: 1026 W x 600 D x 2700 H		



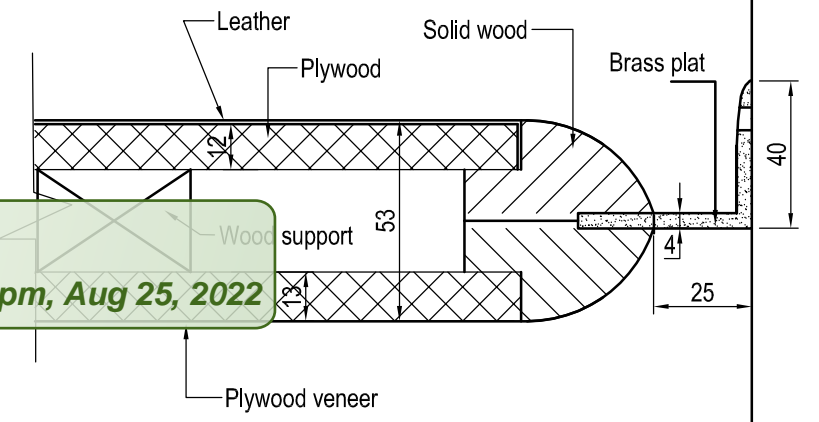
SECTION A-A



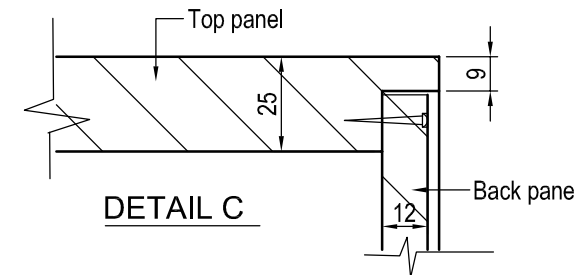
SECTION B-B



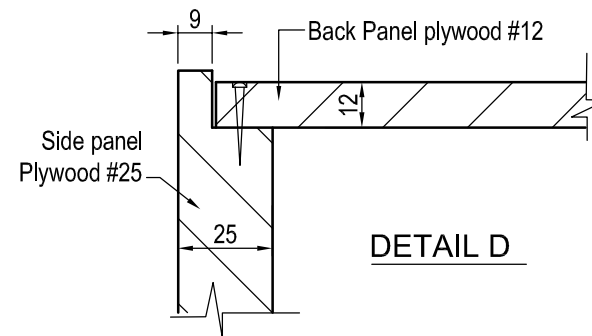
SECTION C-C



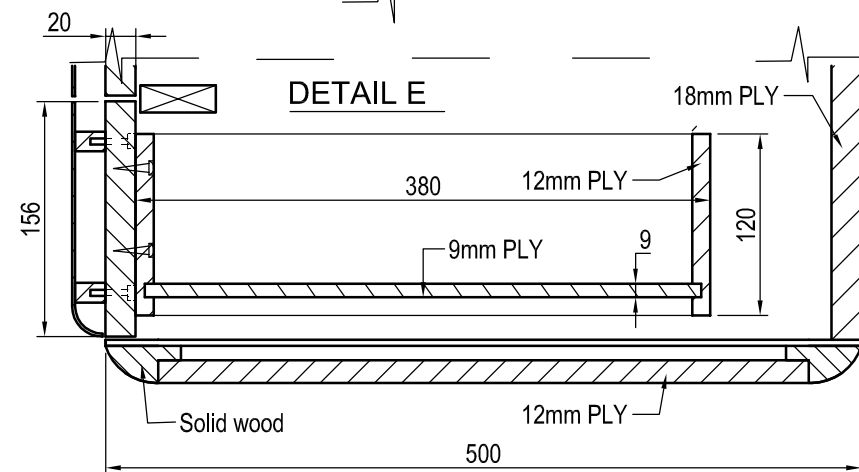
DETAIL A



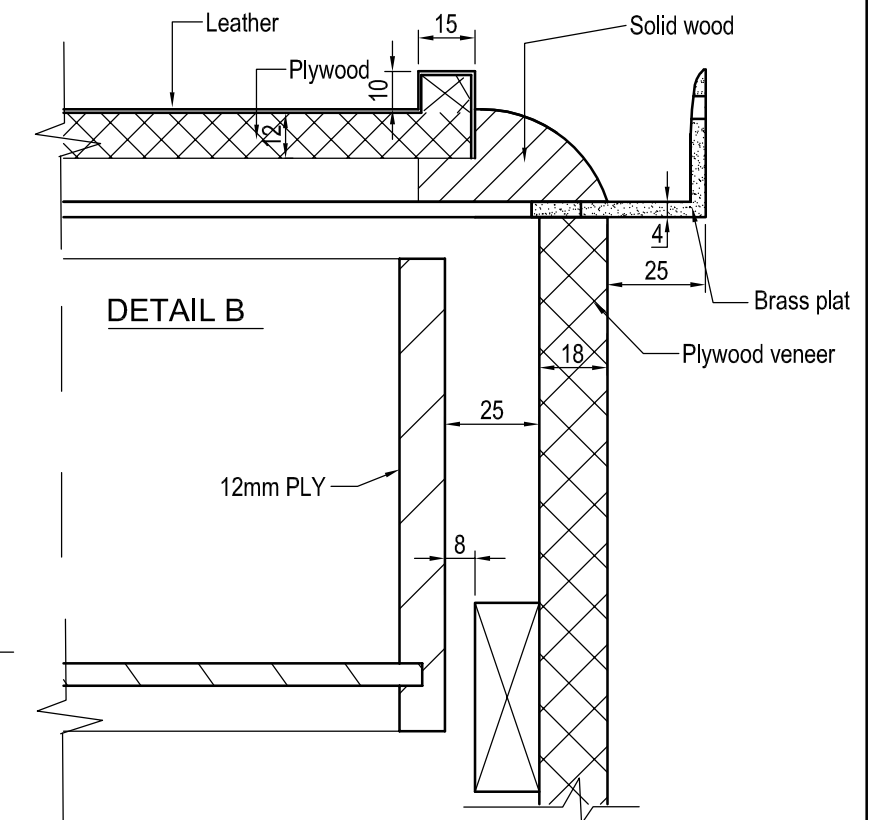
DETAIL C



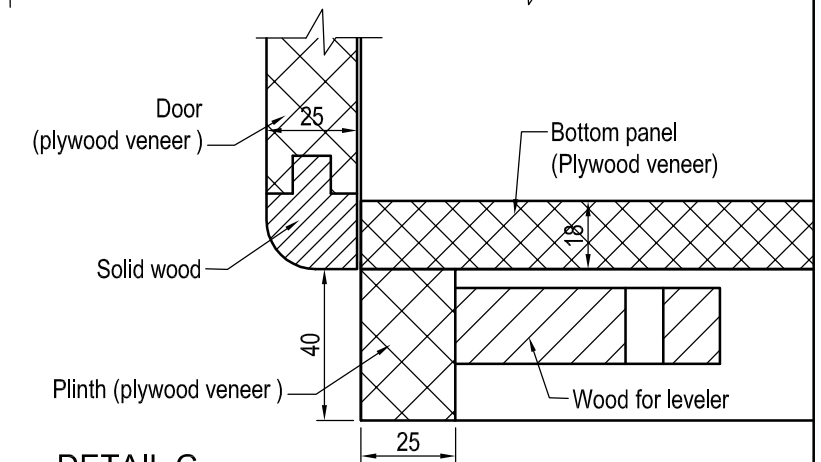
DETAIL D



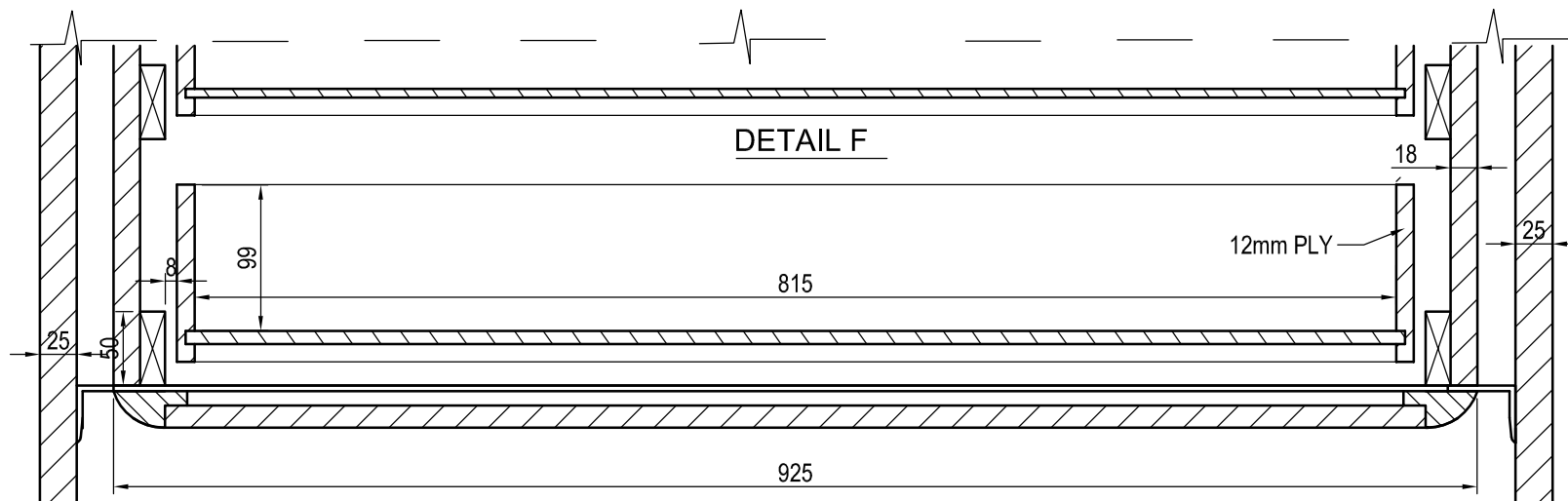
DETAIL E



DETAIL B

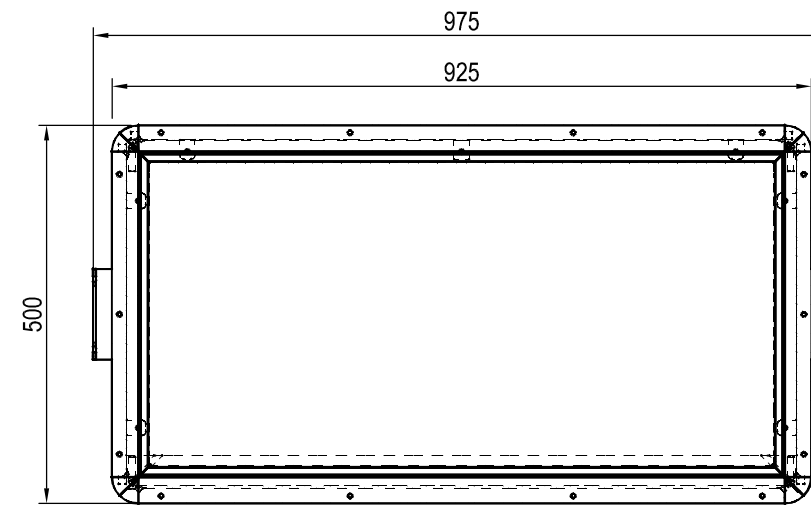
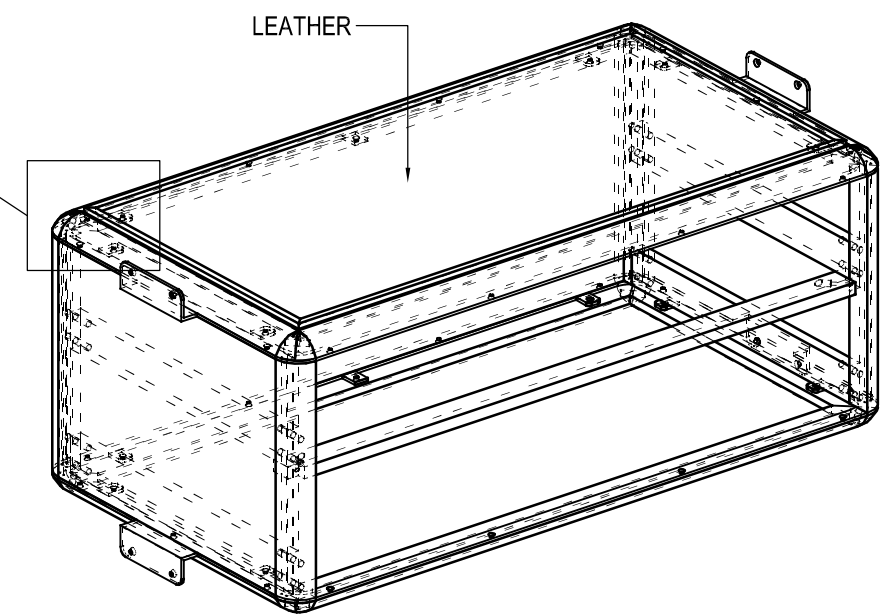
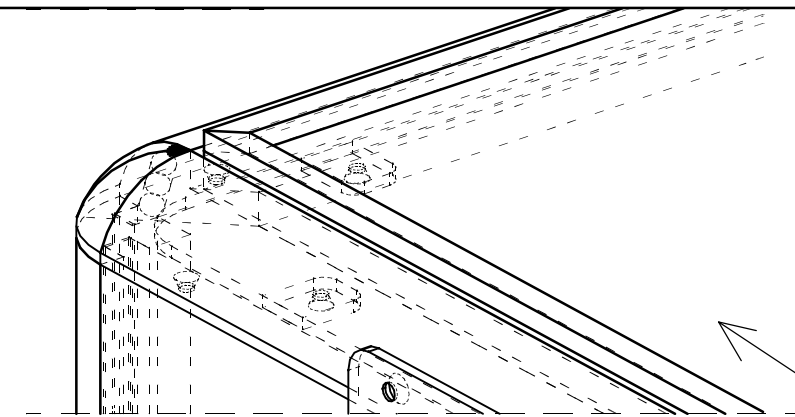
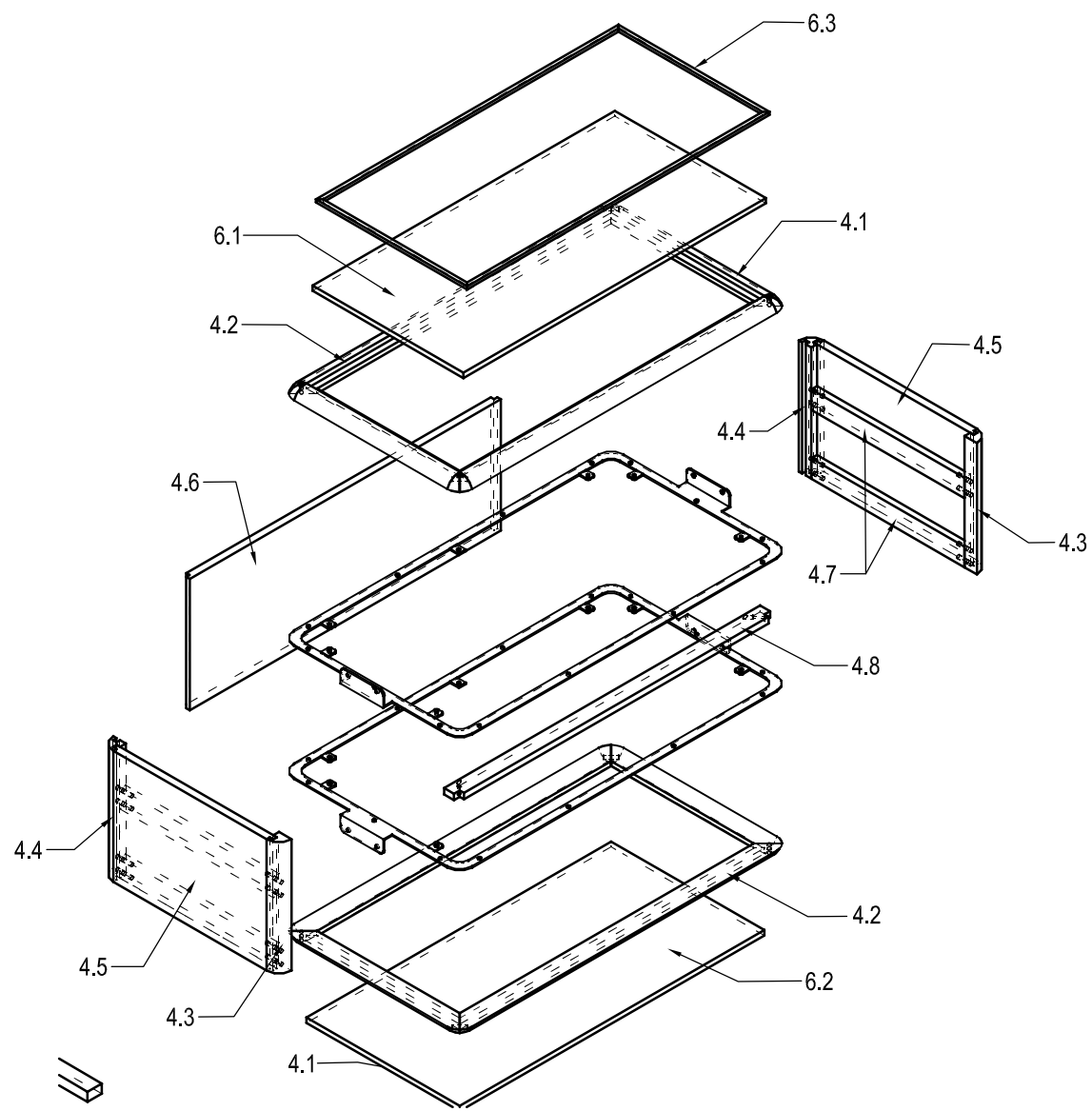


DETAIL C

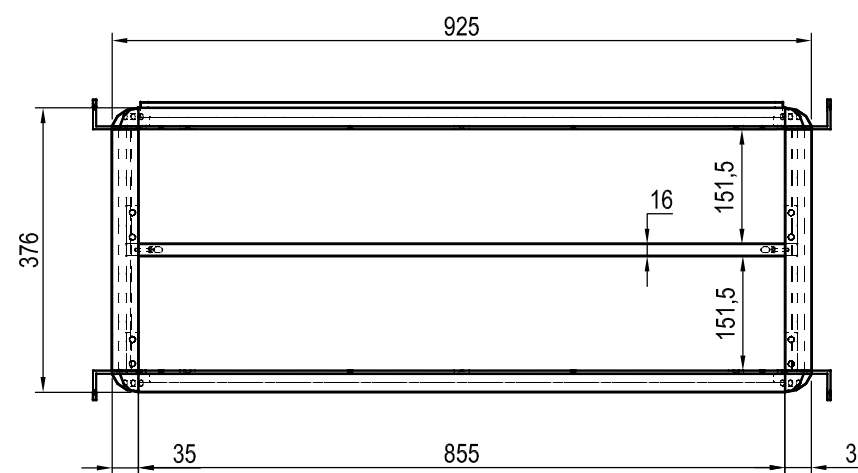


DETAIL F

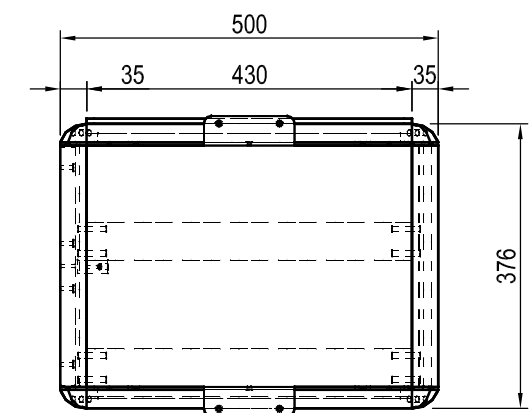
	NAME	DATE	SUNDAY	
DRAWN	WIDI	25/08/2022		
REF				
SCALE	1 : 16			
FILE NAME	TREASURY COLLECTION			
TRS-001	ARMADIO BELLO	SIZE A3	DWG NO :	REV #
DETAIL SECTIONS		Size: 1026 W x 600 D x 2700 H		



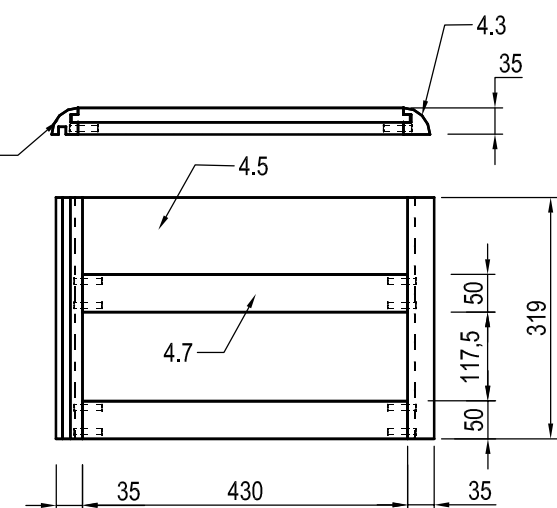
TOP VIEW



FRONT VIEW



SIDE VIEW

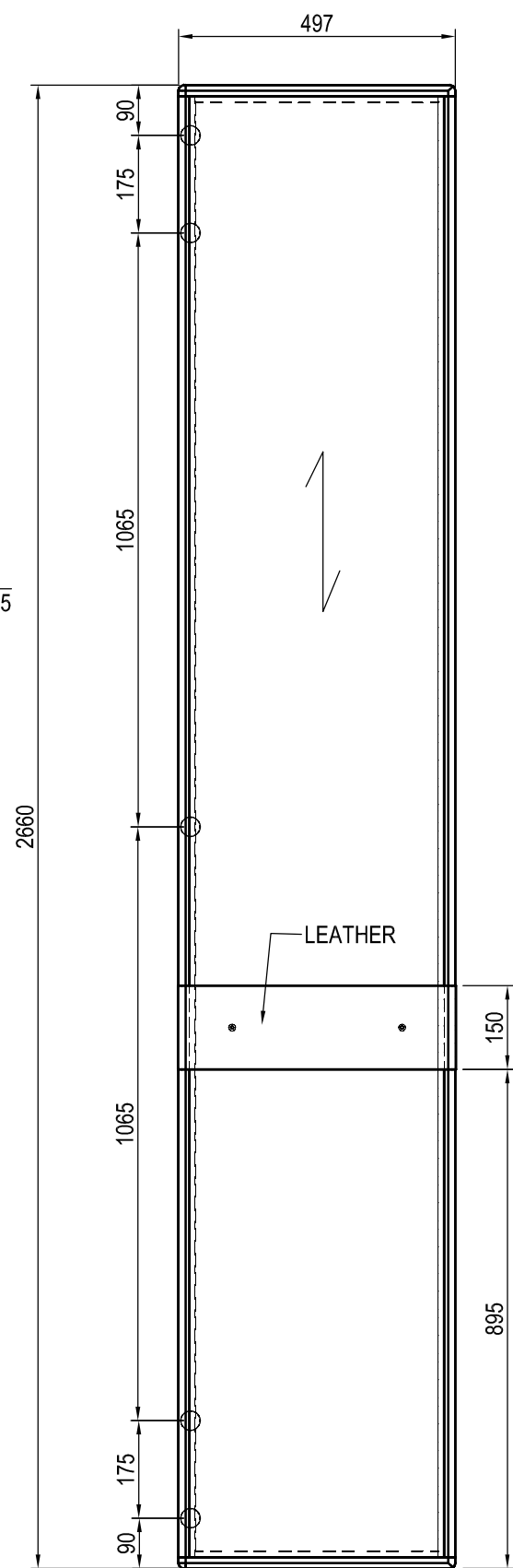
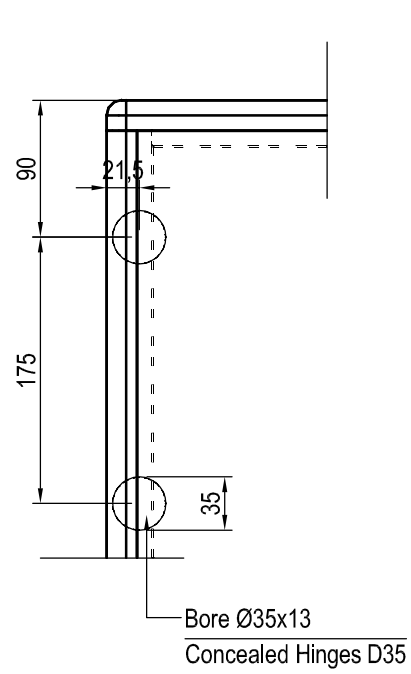


SUB ASSEMBLY BOX-SIDE PANEL

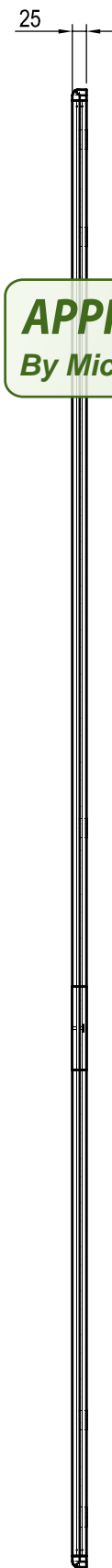
BOX UNIT ASSEMBLY

APPROVED
By Michael Ogle at 4:00 pm, Aug 25, 2022

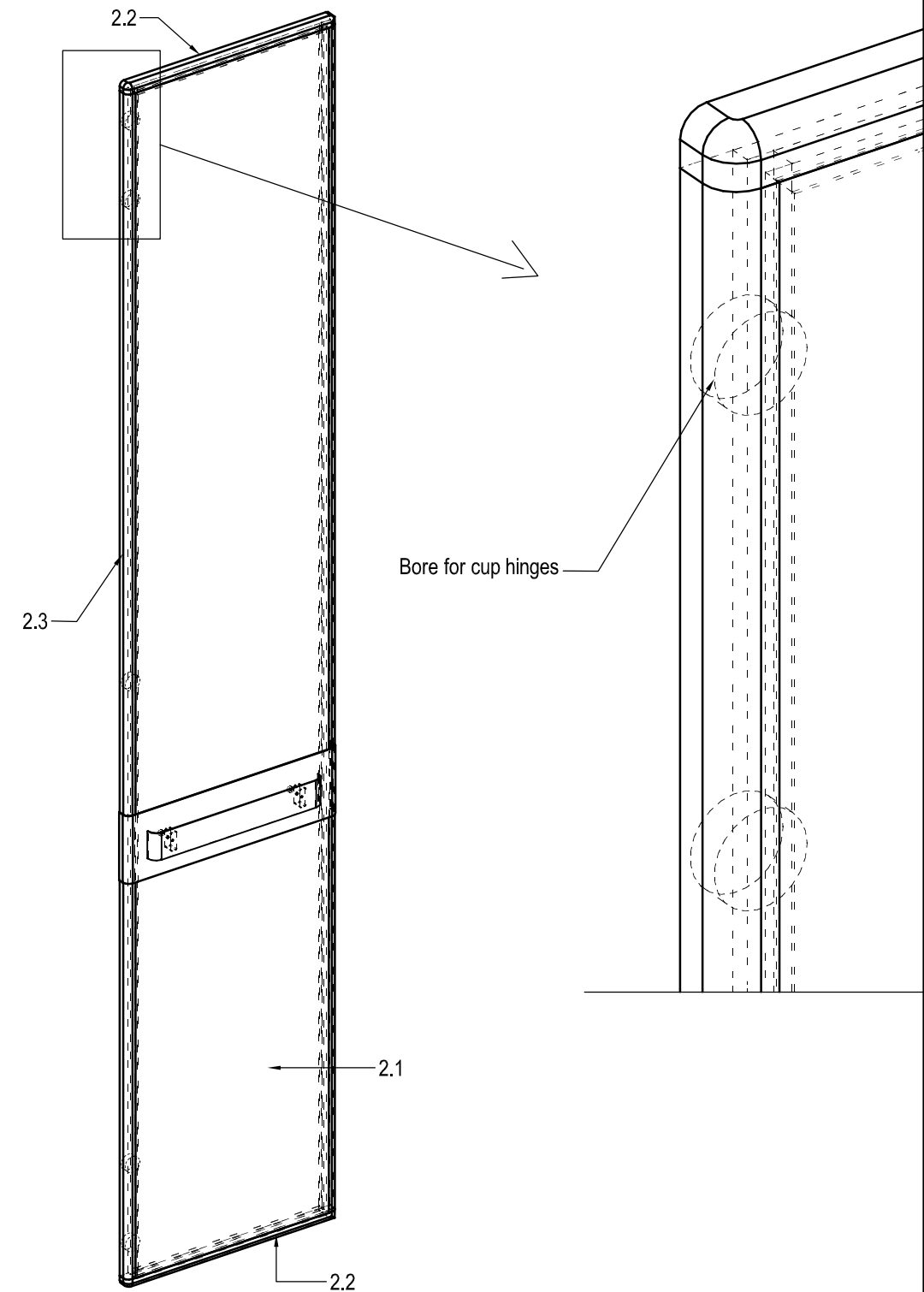
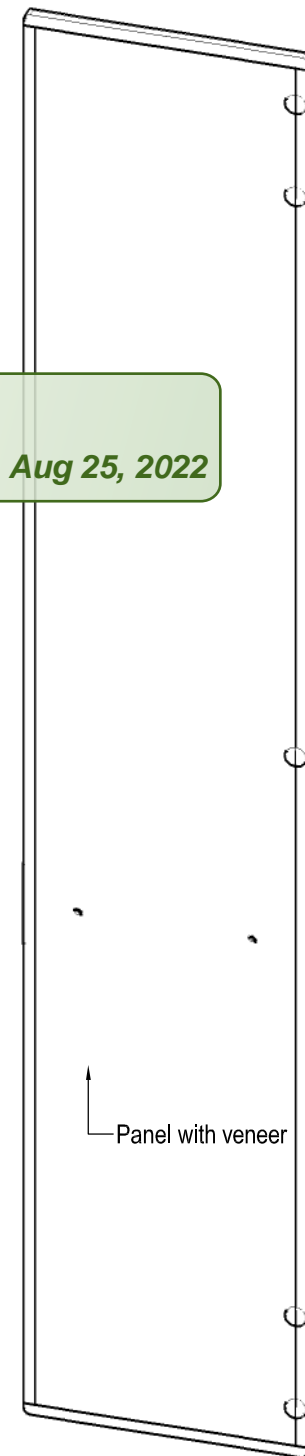
	NAME	DATE	SUNDAY	
DRAWN	WIDI	25/08/2022		
REF				
SCALE				
FILE NAME	TREASURY COLLECTION			
TRS-001 ARMADIO BELLO	SIZE A3	DWG NO :	REV #	
DRAWER UNIT SUB ASSEMBLY	Size: 1026 W x 600 D x 2700 H			



FRONT ELEVATION



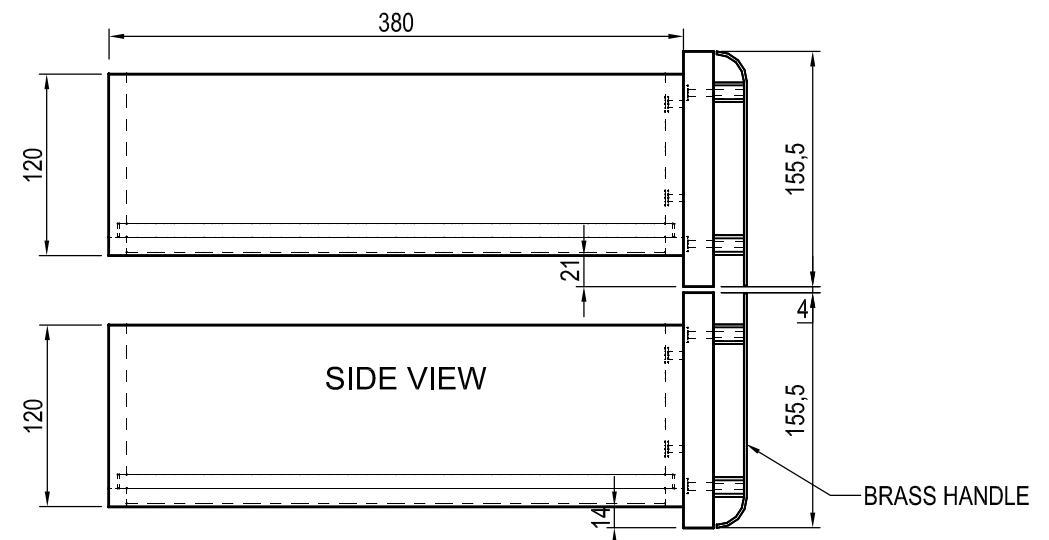
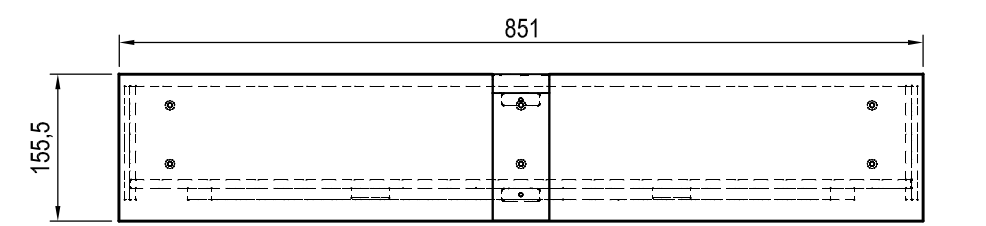
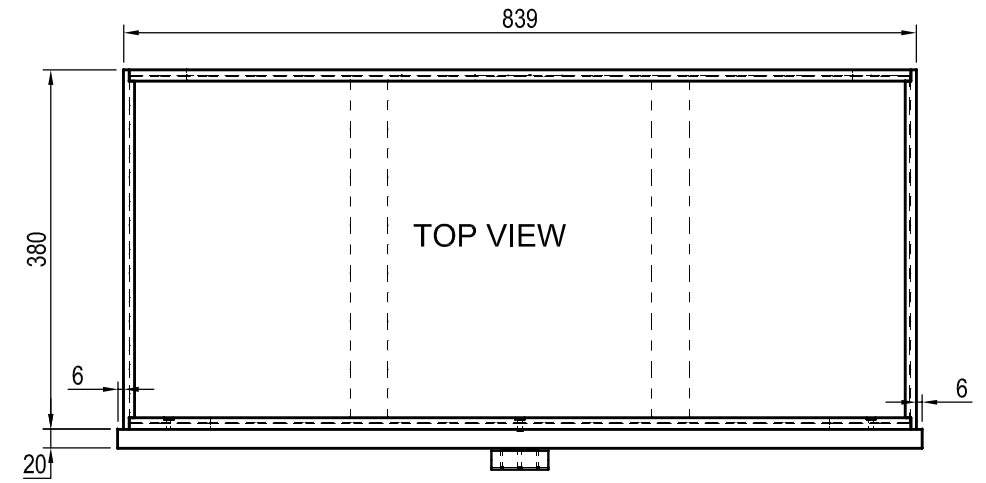
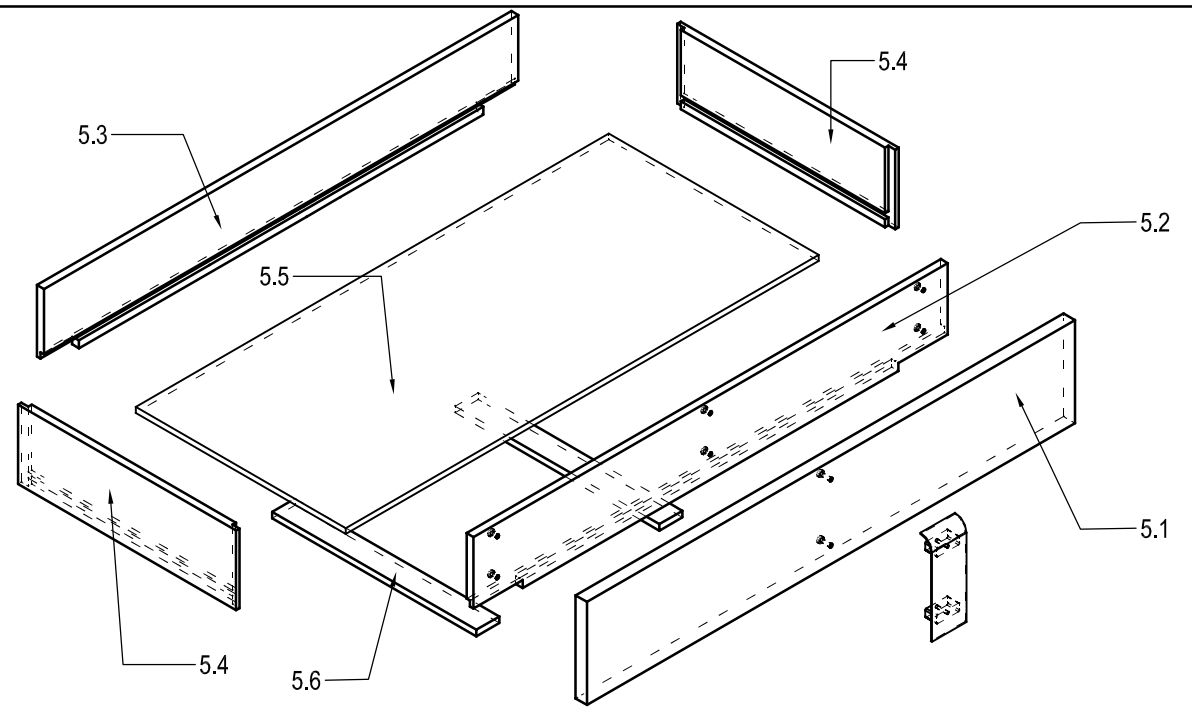
APPROVED
By Michael Ogle at 4:00 pm, Aug 25, 2022



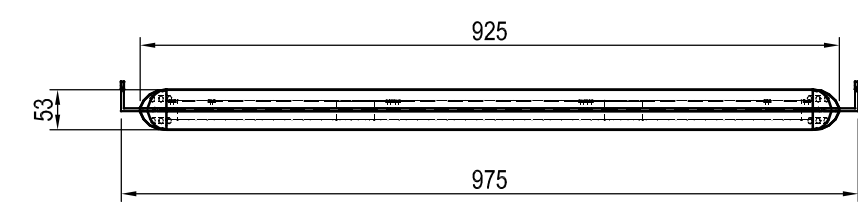
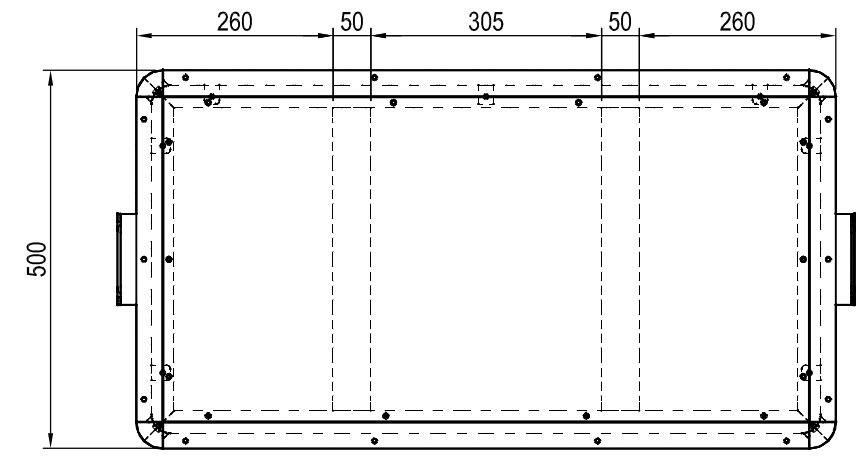
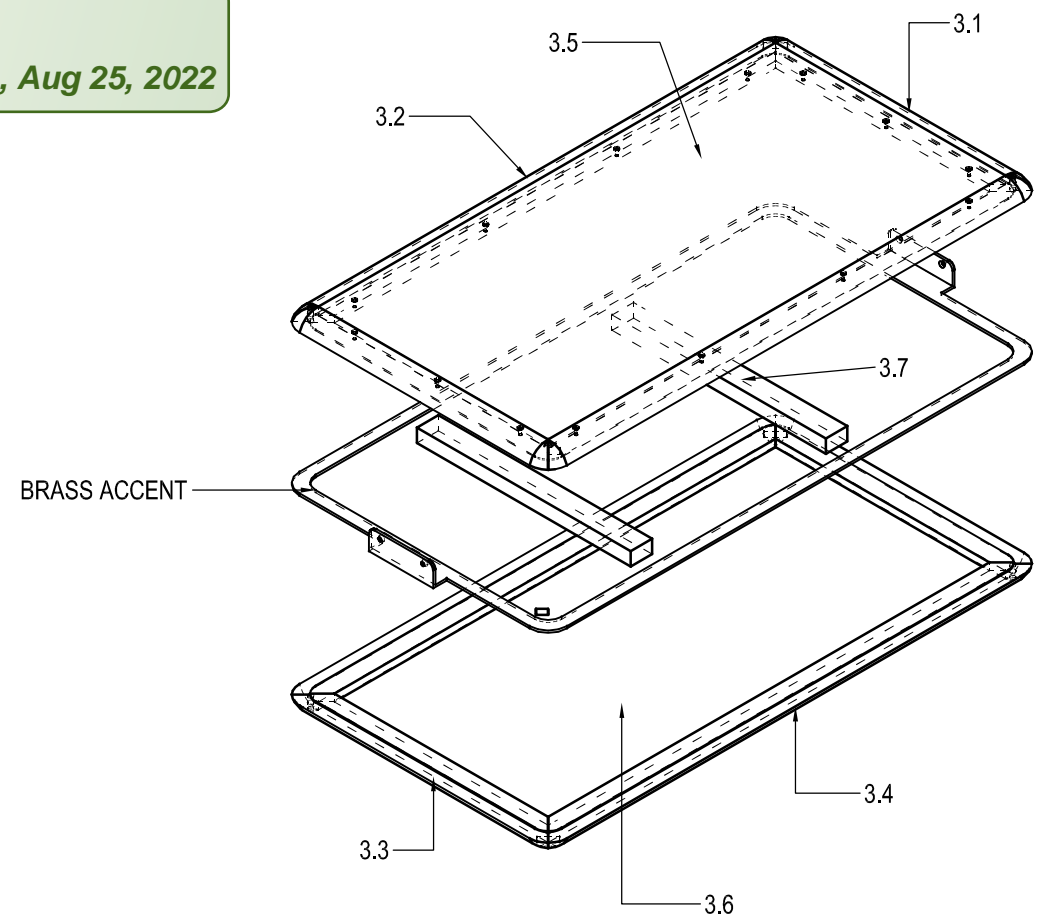
DOOR ASSEMBLY

	NAME	DATE	SUNDAY
DRAWN	WIDI	25/08/2022	
REF			
SCALE	1 : 16		
FILE NAME	TREASURY COLLECTION		
TRS-001	ARMADIO BELLO	SIZE A3	DWG NO :
DOOR ASSEMBLY		Size: 1026 W x 600 D x 2700 H	
			REV #

APPROVED
By Michael Ogle at 4:00 pm, Aug 25, 2022



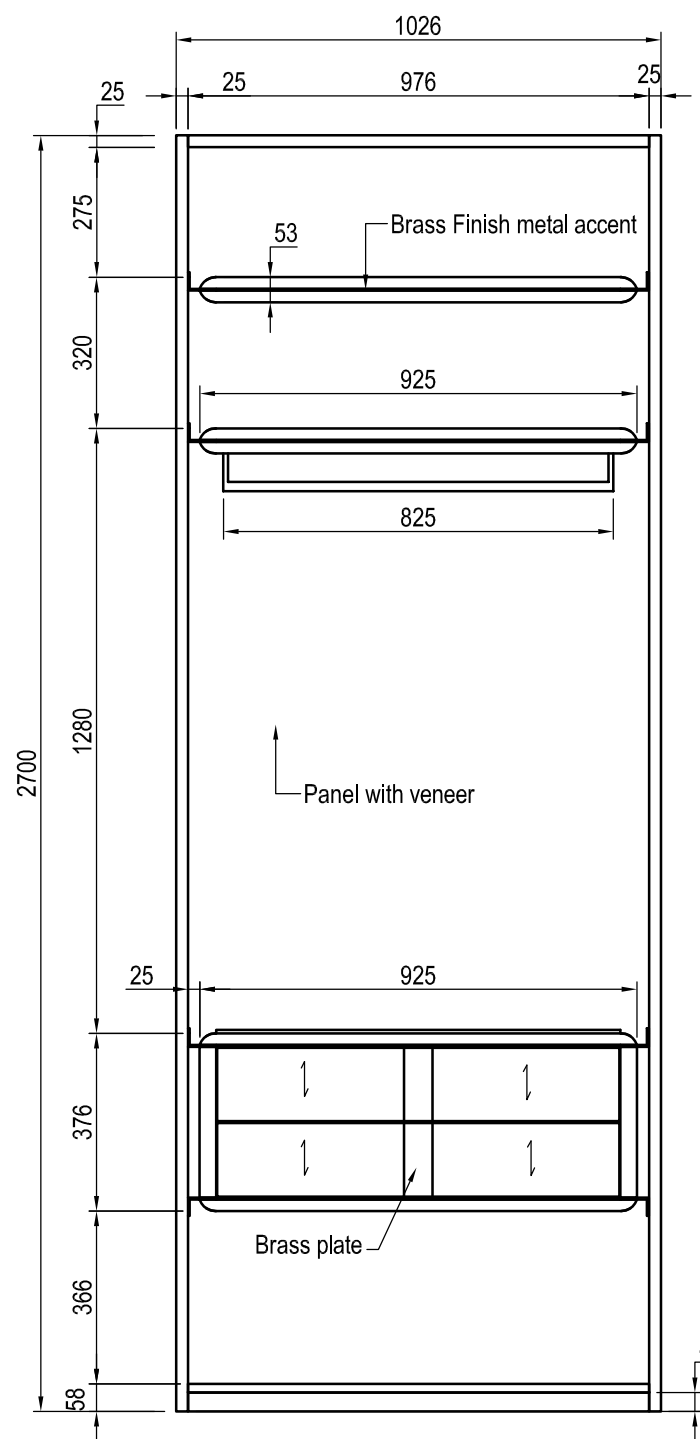
DRAWER ASSEMBLY



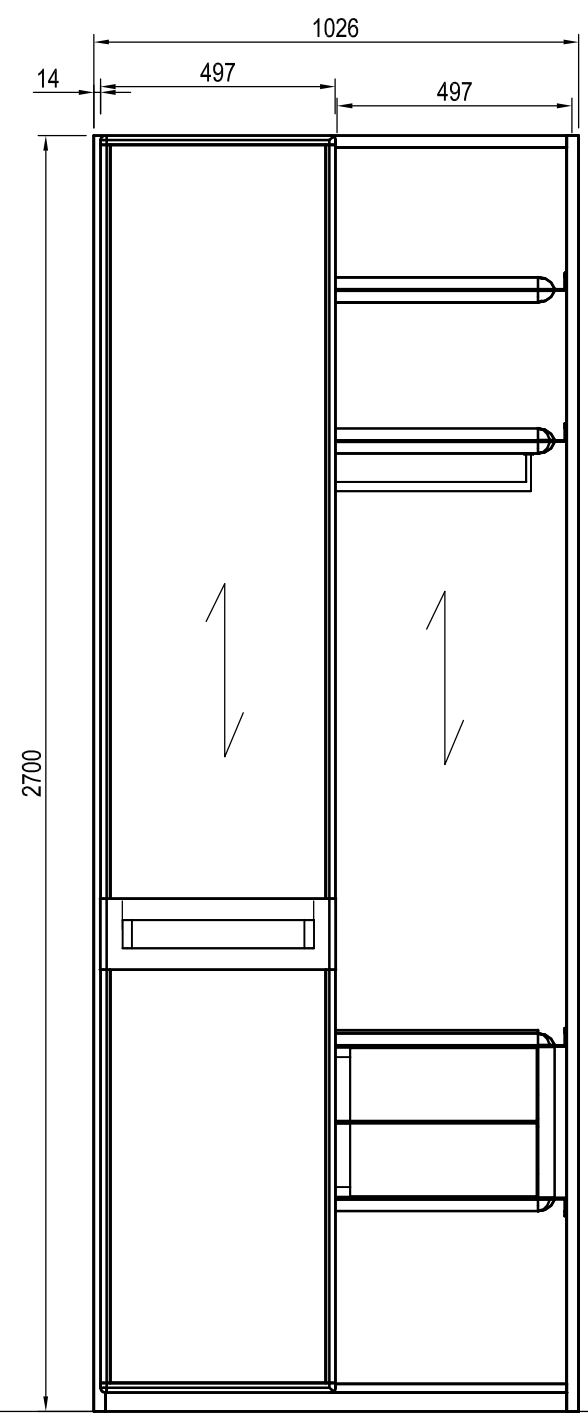
SHELF ASSEMBLY

	NAME	DATE	SUNDAY	
DRAWN	WIDI	25/08/2022		
REF				
SCALE	1 : 16			
FILE NAME	TREASURY COLLECTION			
TRS-001	ARMADIO BELLO	SIZE A3	DWG NO :	REV #
DRAWER ASSEMBLY & SHELF ASSEMBLY		Size: 1026 W x 600 D x 2700 H		

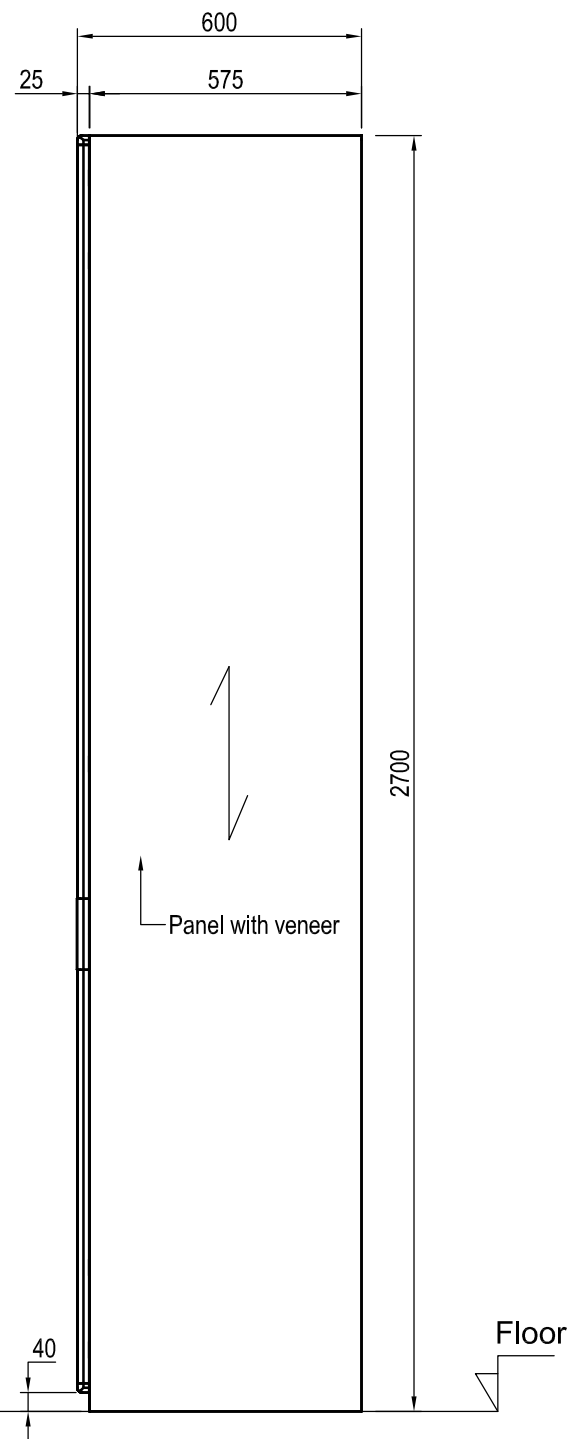
APPROVED
By Michael Ogle at 4:00 pm, Aug 25, 2022



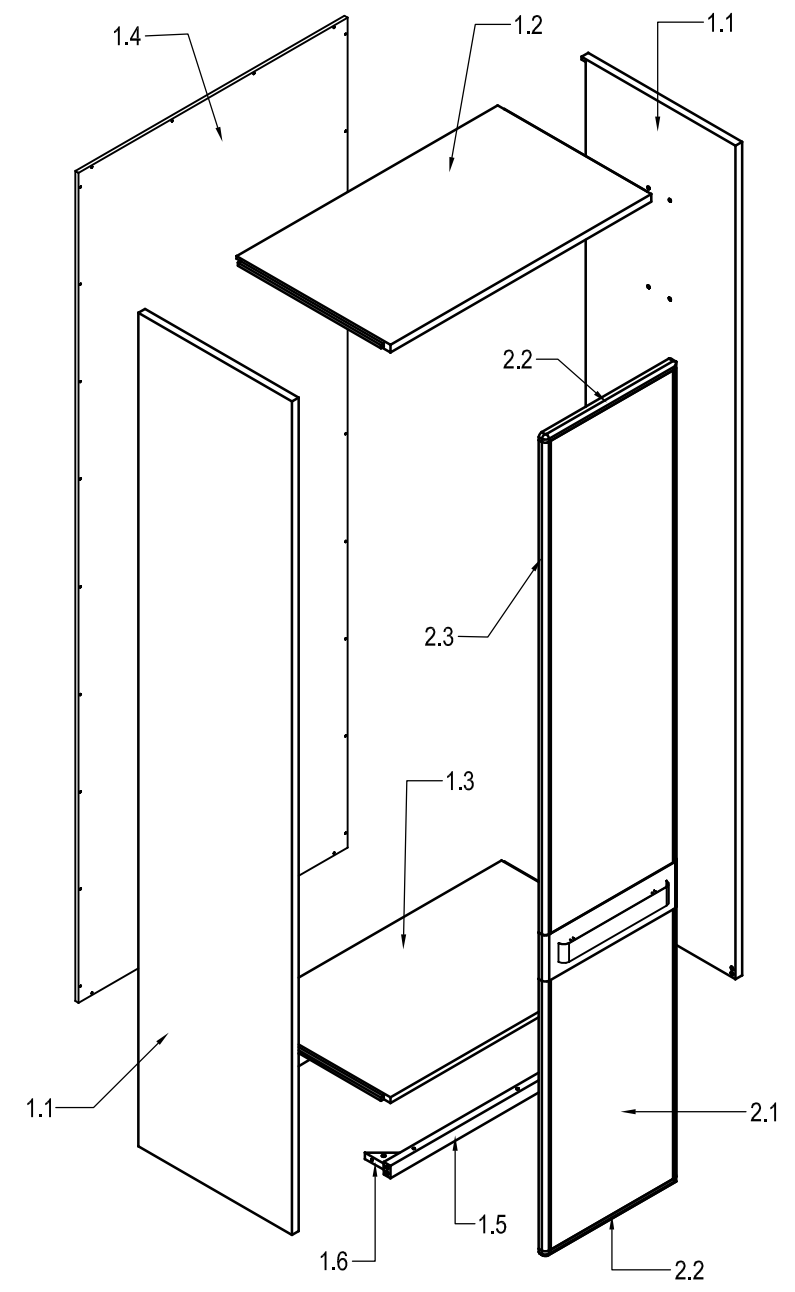
FRONT ELEVATION
without Door



FRONT ELEVATION



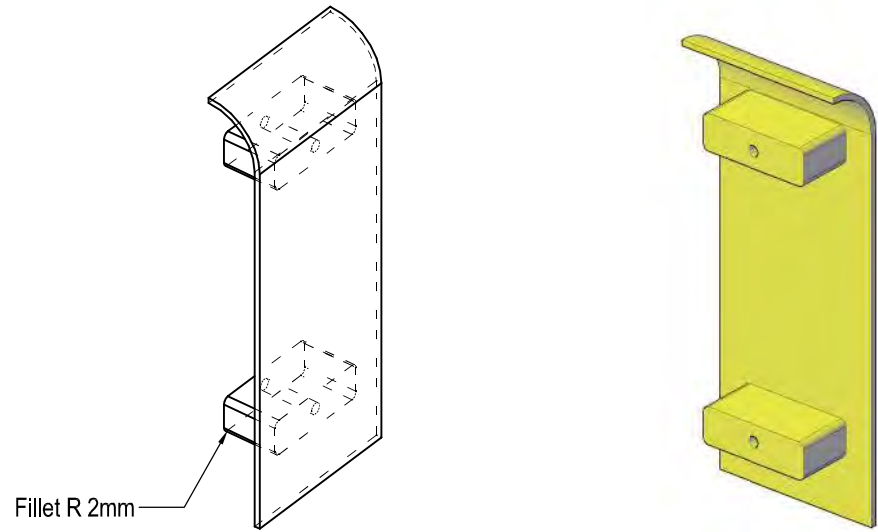
SIDE ELEVATION



EXPLODED VIEW

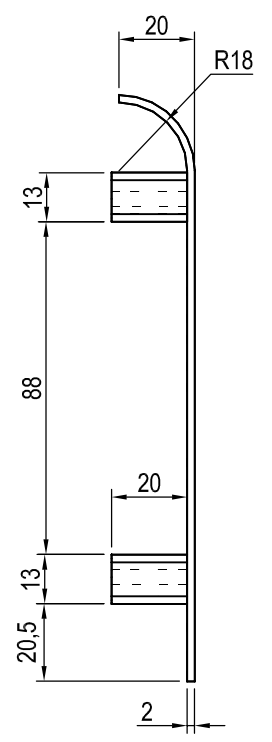
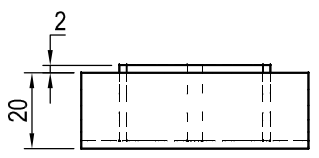
	NAME	DATE	SUNDAY	
DRAWN	WIDI	25/08/2022		
REF				
SCALE	1 : 16			
FILE NAME	TREASURY COLLECTION			
TRS-001	ARMADIO BELLO	SIZE A3	DWG NO :	REV #
ELEVATIONS & EXPLODED VIEW		Size: 1026 W x 600 D x 2700 H		

APPROVED
By Michael Ogle at 4:01 pm, Aug 25, 2022

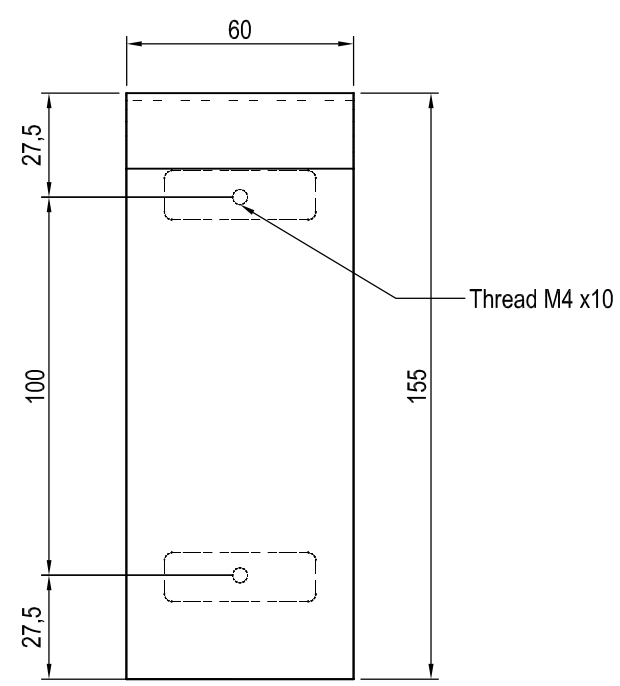


Fillet R 2mm

TOP VIEW

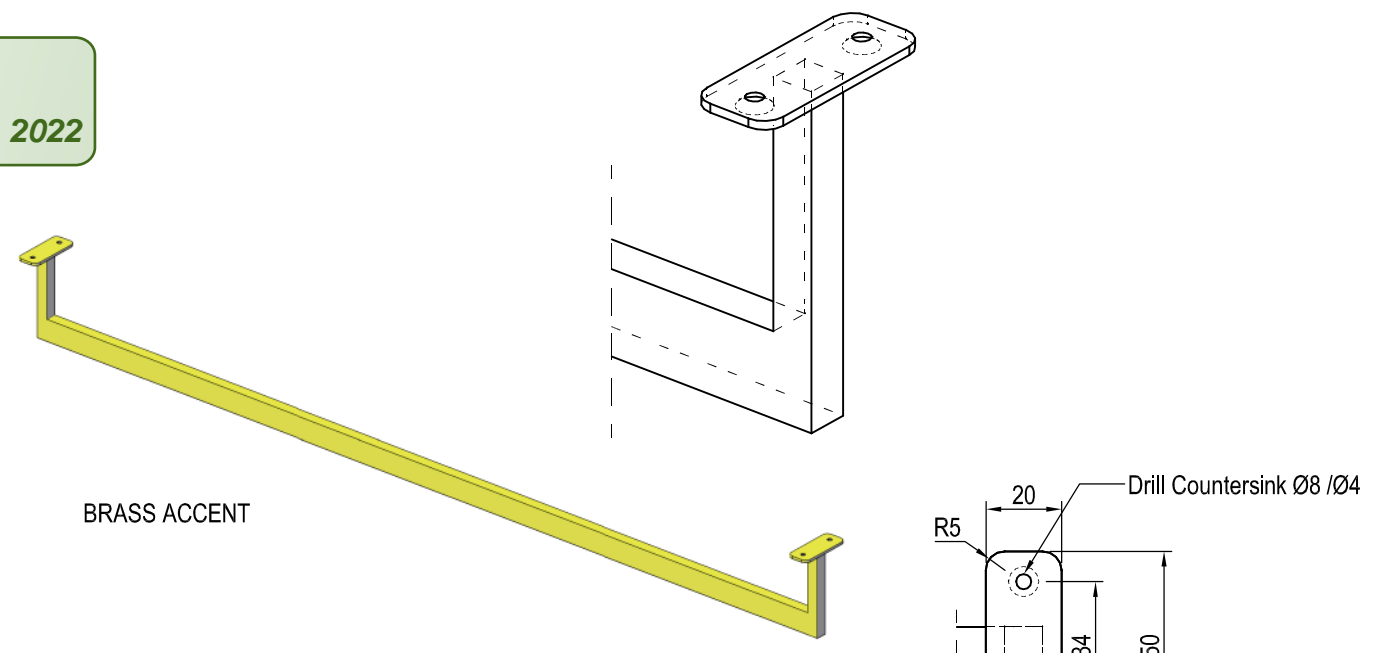


SIDE VIEW



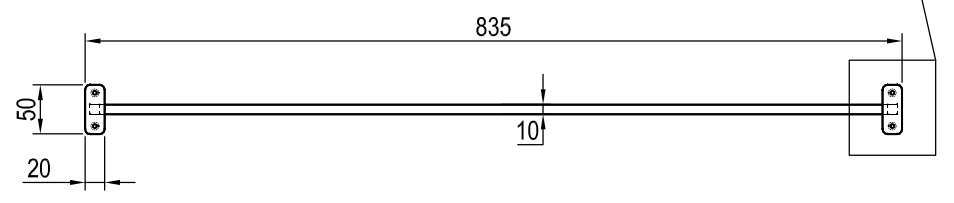
FRONT VIEW

DRAWER HANDLE

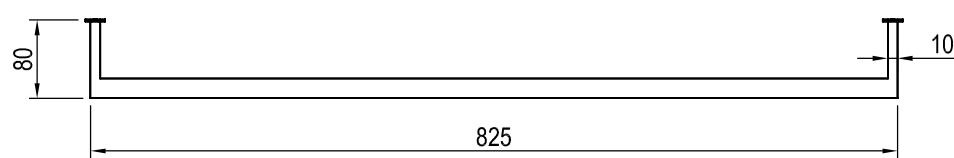


BRASS ACCENT

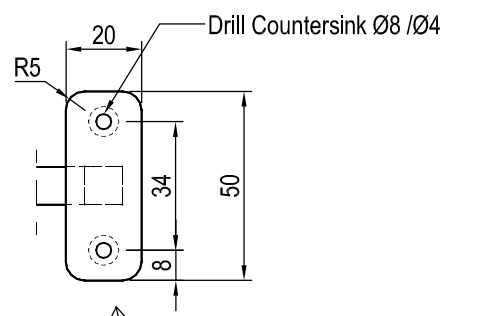
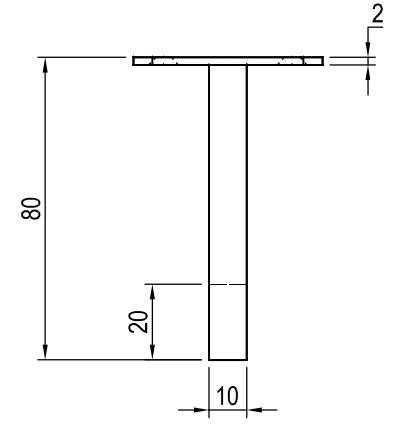
TOP VIEW



FRONT VIEW



SIDE VIEW

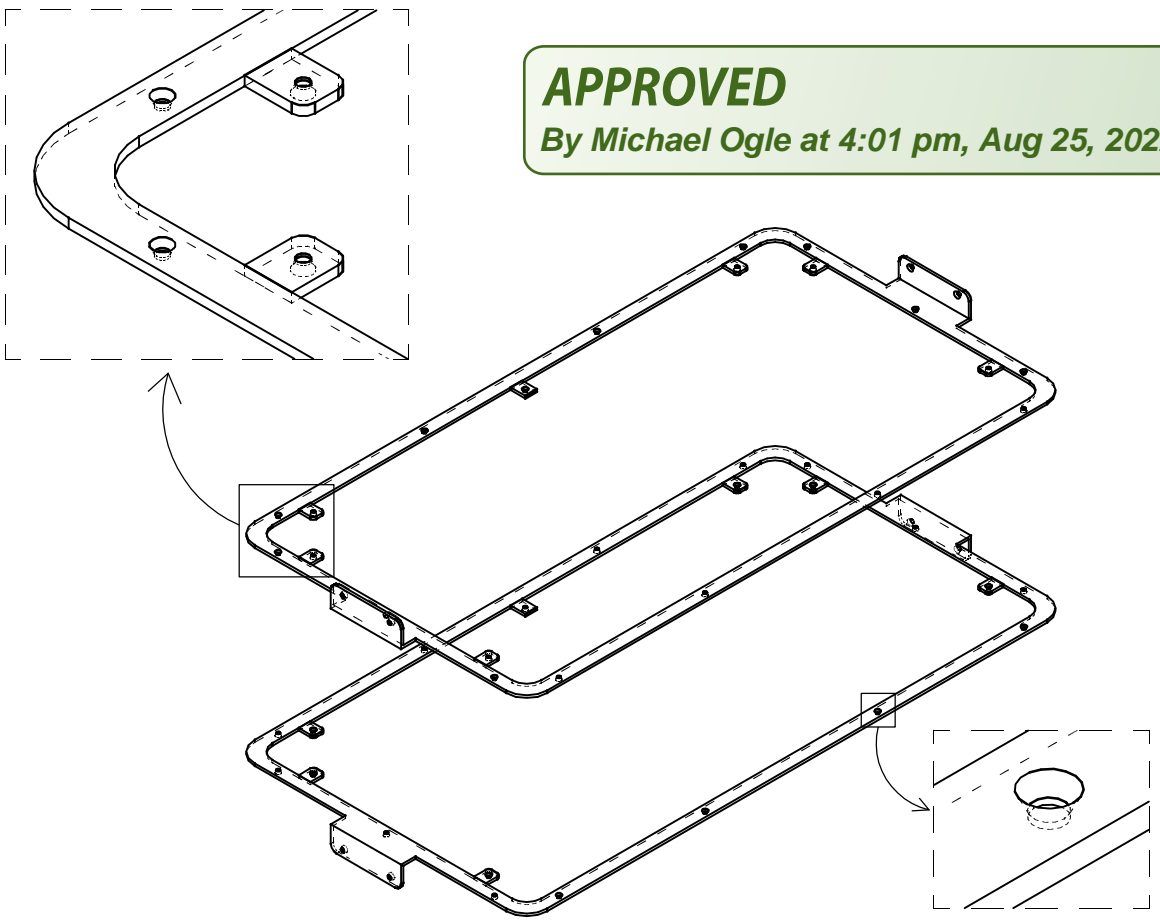


Drill Countersink Ø8 /Ø4

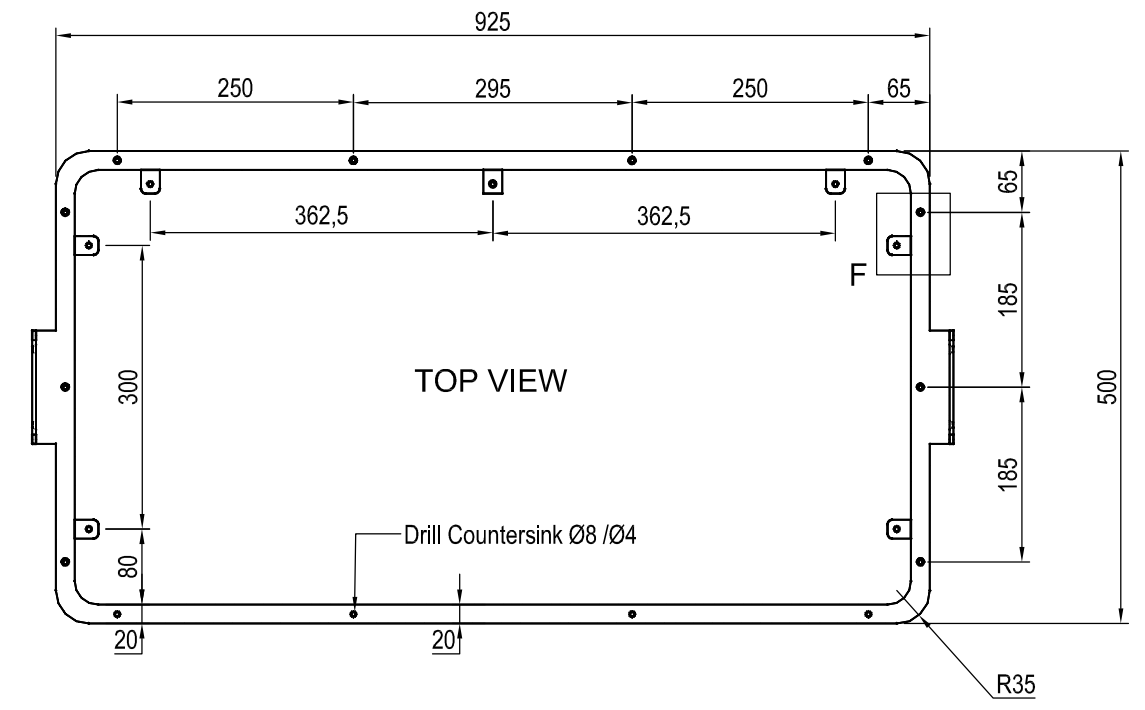
BRASS HANGER

	NAME	DATE	SUNDAY
DRAWN	WIDI	25/08/2022	
REF			
SCALE	1 : 16		
FILE NAME	TREASURY COLLECTION		
TRS-001 ARMADIO BELLO HARDWRAE DETAIL		SIZE A3 DWG NO :	REV #
		Size: 1026 W x 600 D x 2700 H	

APPROVED
By Michael Ogle at 4:01 pm, Aug 25, 2022

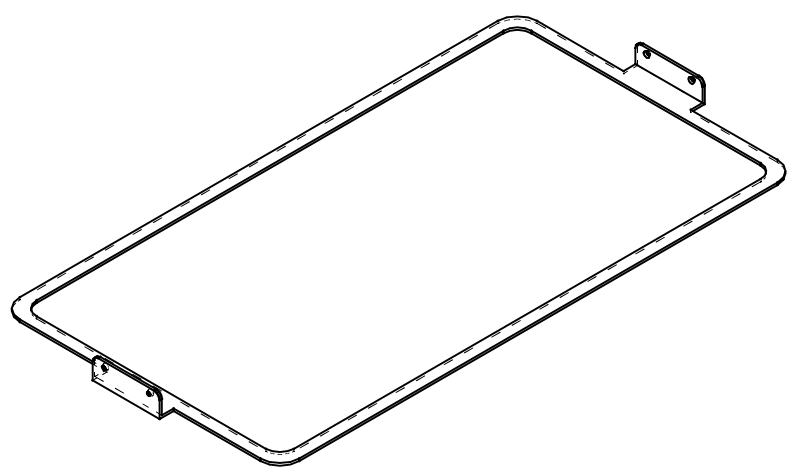


BRASS ACCENT FOR BOX

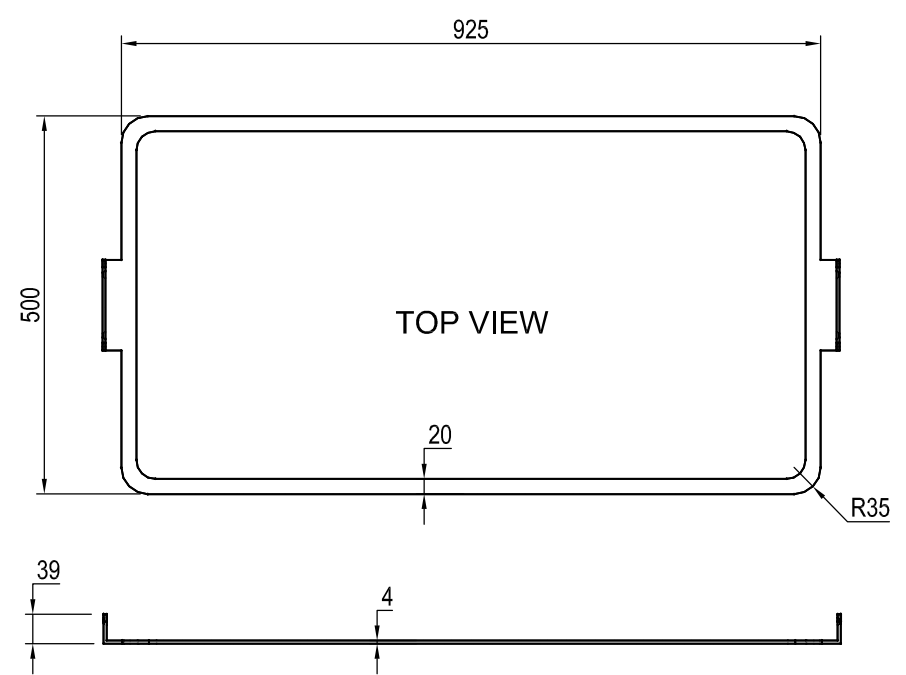


FRONT VIEW

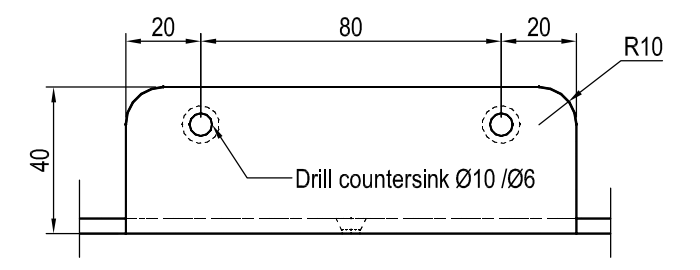
SIDE VIEW



BRASS ACCENT FOR SHELF



FRONT VIEW



DETAIL G

	NAME	DATE	SUNDAY	
DRAWN	WIDI	25/08/2022		
REF				
SCALE				
FILE NAME	TREASURY COLLECTION			
TRS-001	ARMADIO BELLO	SIZE A3	DWG NO :	REV #
BRASS FRAME-DRAWER UNIT		Size: 1026 W x 600 D x 2700 H		

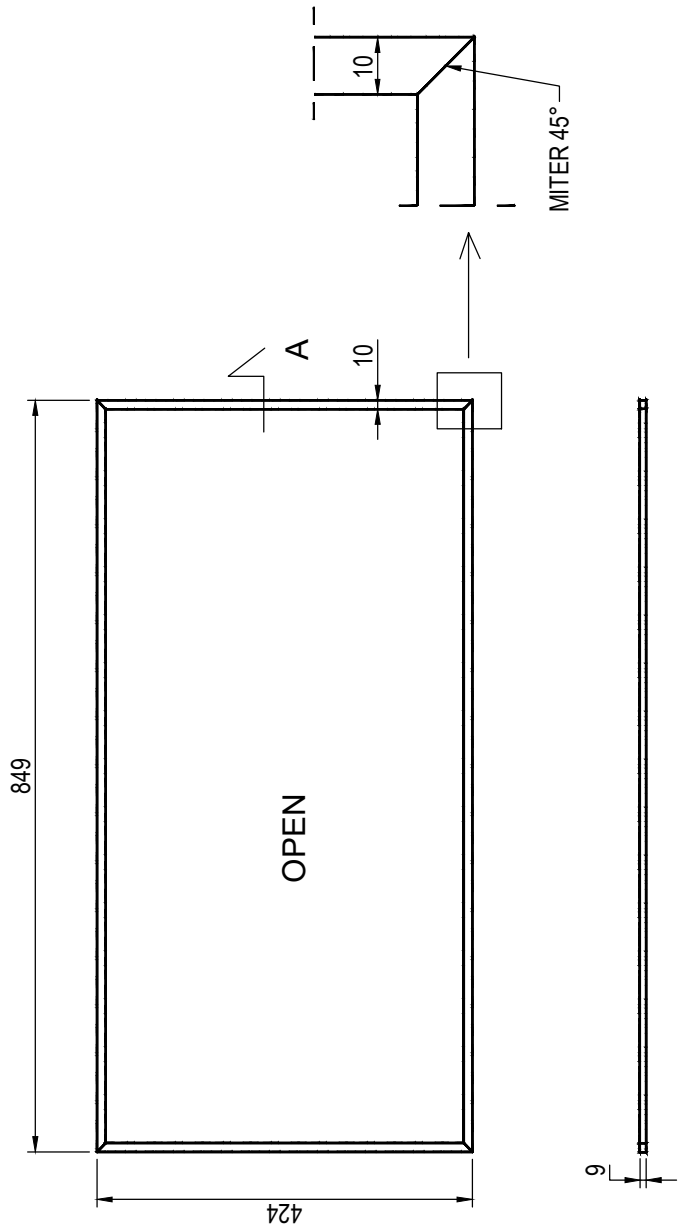
NO	RUNNING MACHINE	DATE	OPERATOR	LEADER MACHINE	QC MACHINE	REMARK
1	RIP SAW					
2	PLANER					
3	CUT OFF SAW					
4						
5						

APPROVED
By Michael Ogle at 4:01 pm, Aug 25, 2022

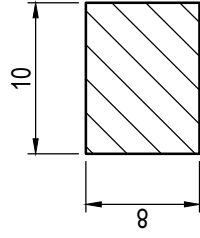
SKU #	SKU description	Drawn by	Released date	Length	Width	Thick	Qty	Remark
TRS-005WA	CASSETTI PICCOLI 2 DWR	Widi	20/08/2022					
Part #	Part description	Material	Revision date	Rough				
6.3	BOX- LIST TOP PANEL	WOOD		Finish	10	8	2	
					424	10	8	2

**WRAPPED LEATHER AFTER
PATCHING POS 6.1**

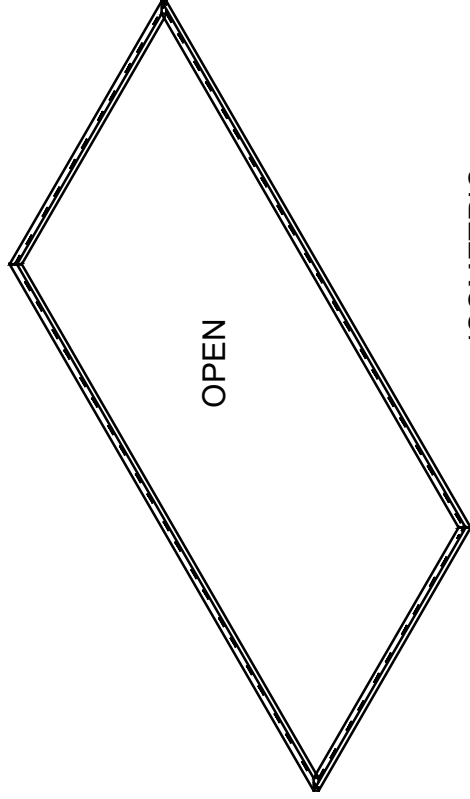
TOP VIEW



FRONT VIEW



SECTION A



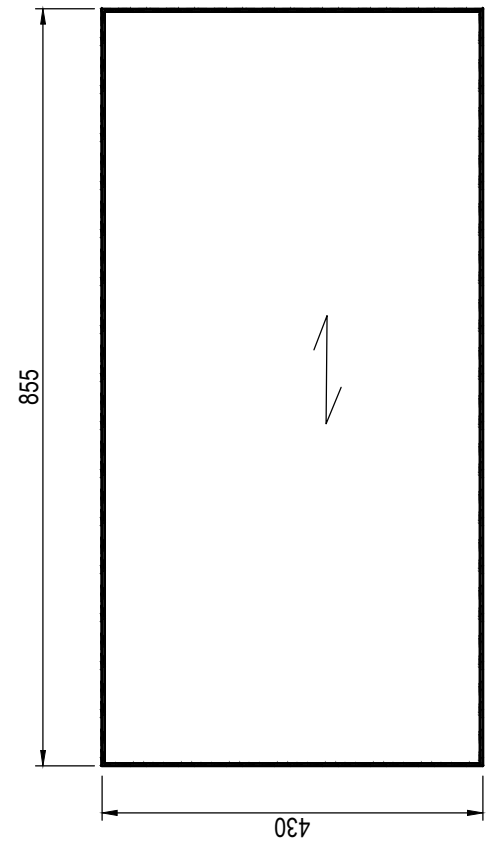
ISOMETRIC

NO	RUNNING MACHINE	DATE	OPERATOR	LEADER MACHINE	QC MACHINE	REMARK
1	PANEL / TABLE SAW					
2	WBS / SANDER					
3						
4						
5						

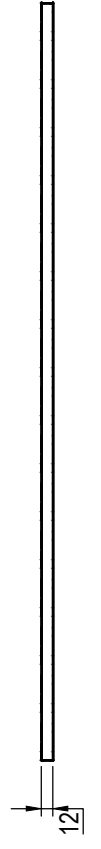
APPROVED
By Michael Ogle at 4:01 pm, Aug 25, 2022

SKU # TRS-005WA	SKU description CASSETTI PICCOLI 2 DWR	Drawn by Widi	Released date 20/08/2022	Length	Width	Thick	Qty	Remark
Part # 6.2	Part description BOX- BOTTOM PANEL	Material PLYWOOD	Revision date	Rough	430	12	1	VENEER 1 FACE
				Finish				

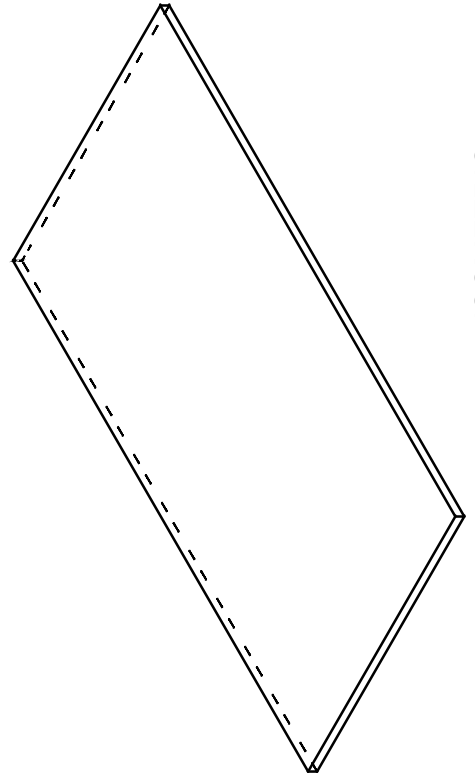
TOP VIEW



FRONT VIEW



ISOMETRIC

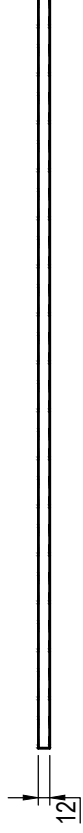
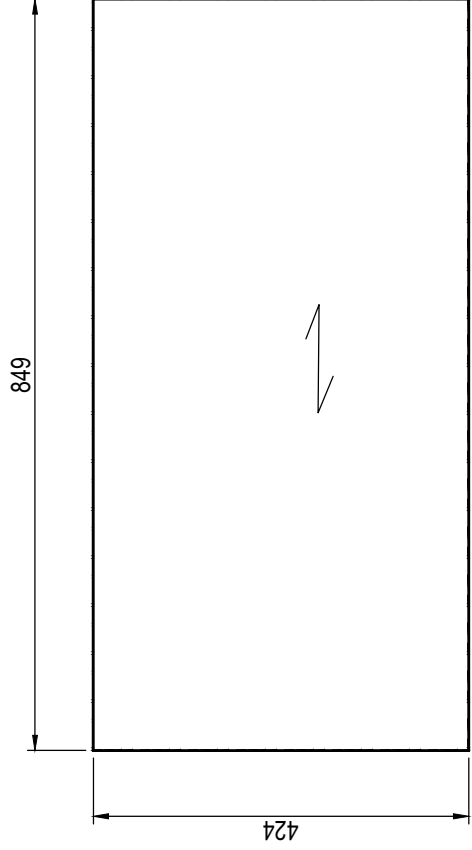


NO	RUNNING MACHINE	DATE	OPERATOR	LEADER MACHINE	QC MACHINE	REMARK
1	PANEL / TABLE SAW					
2	WBS / SANDER					
3						
4						
5						

APPROVED
By Michael Ogle at 4:01 pm, Aug 25, 2022

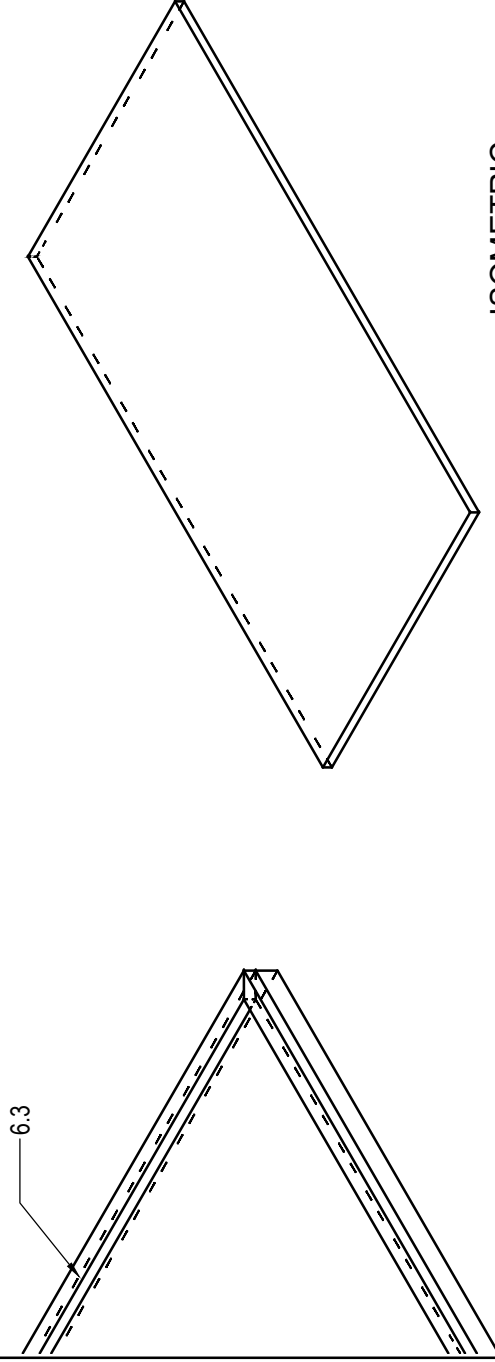
SKU # TRS-005WA	SKU description CASSETTI PICCOLI 2 DWR	Drawn by Widi	Released date 20/08/2022	Length	Width	Thick	Qty	Remark
Part # 6.1	Part description BOX- TOP PANEL	Material PLYWOOD	Revision date	Rough	424	12	1	
				Finish	849			

TOP VIEW



FRONT VIEW

WRAPPED LEATHER AFTER
PATCHING POS 6.3



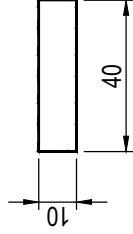
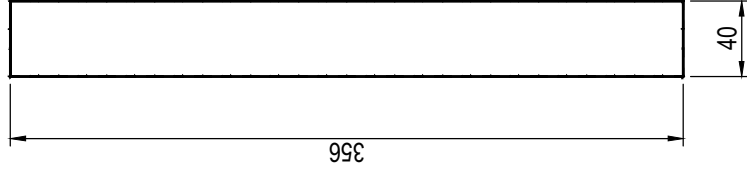
ISOMETRIC

NO	RUNNING MACHINE	DATE	OPERATOR	LEADER MACHINE	QC MACHINE	REMARK
1	RIP SAW					
2	PLANER					
3	CUT OTT SAW					
4	WBS / SANDER					
5						

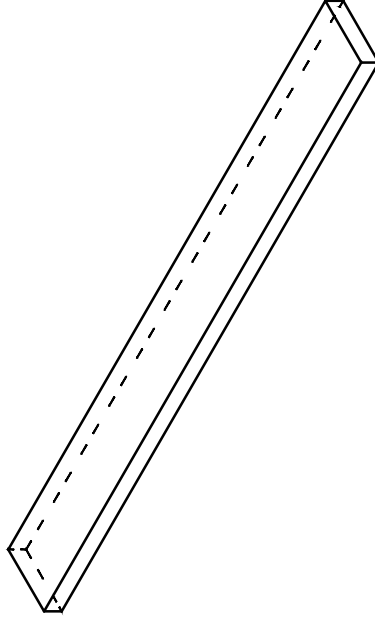
APPROVED
 By Michael Ogle at 4:01 pm, Aug 25, 2022

SKU # TRS-005WA	SKU description CASSETTI PICCOLI 2 DWR	Drawn by Widi	Released date 20/08/2022	Length	Width	Thick	Qty	Remark
Part # 5.6	Part description BOX- DRAWER SUPPORT	Material WOOD	Revision date	Rough				
				Finish	40	10	4	

TOP VIEW



FRONT VIEW



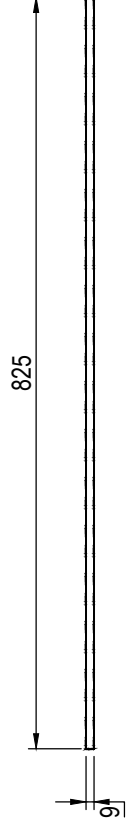
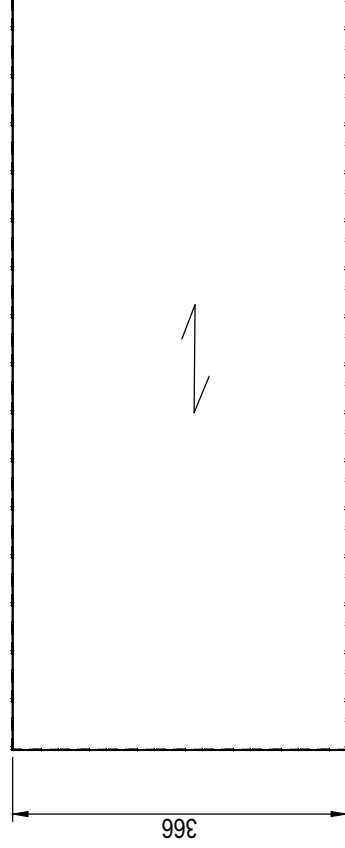
ISOMETRIC

NO	RUNNING MACHINE	DATE	OPERATOR	LEADER MACHINE	QC MACHINE	REMARK
1	PANEL SAW					
2	WBS / SANDER					
3						
4						
5						

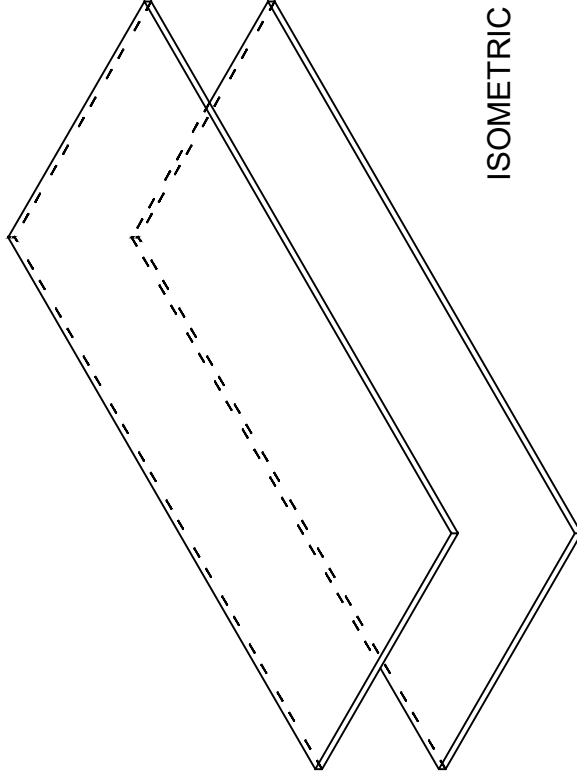
APPROVED
By Michael Ogle at 4:01 pm, Aug 25, 2022

SKU #	TRS-005WA	SKU description	CASSETTI PICCOLI 2 DWR	Drawn by	Widi	Released date	20/08/2022
Part #	5.5	Part description	BOX- DRAWER BOTTOM	Material	PLYWOOD	Revision date	
						Rough	
						Finish	
						Length	825
						Width	366
						Thick	9
						Qty	2
						Remark	

TOP VIEW



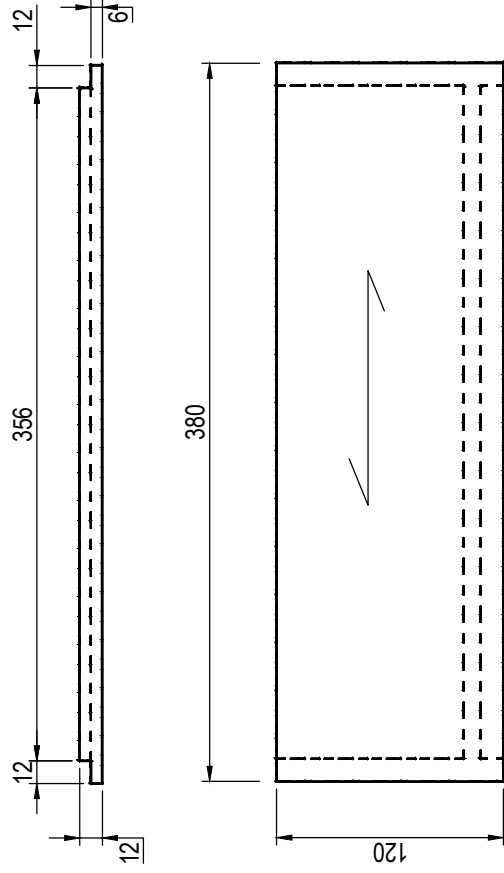
FRONT VIEW



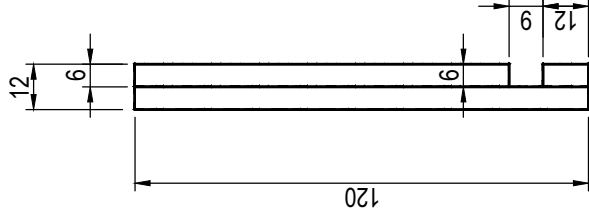
NO	RUNNING MACHINE	DATE	OPERATOR	LEADER MACHINE	QC MACHINE	REMARK
1	PANEL SAW	APPROVED <i>By Michael Ogle at 4:01 pm, Aug 25, 2022</i>				
2	ROUTER					
3	WBS / SANDER					
4						
5						

SKU # TRS-005WA	SKU description CASSETTI PICCOLI 2 DWR	Drawn by Widi	Released date 20/08/2022	Length	Width	Thick	Qty	Remark
Part # 5.4	Part description BOX- DRAWER SIDE	Material PLYWOOD	Revision date	Rough 380	120	12	4	

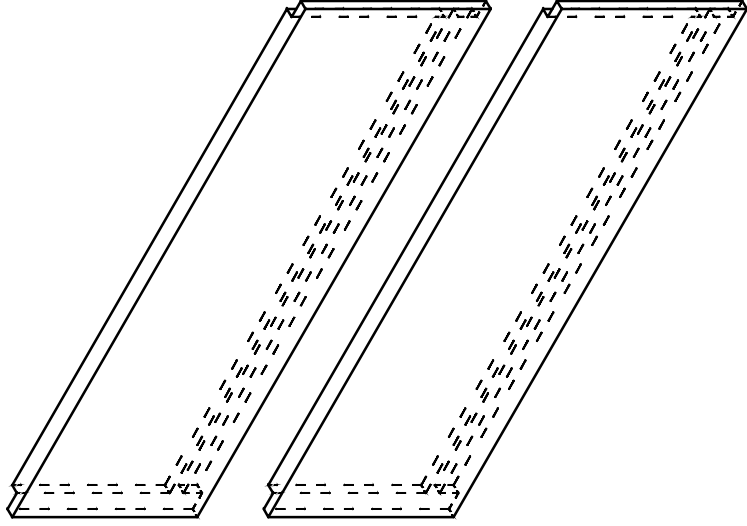
TOP VIEW



FRONT VIEW



SIDE VIEW

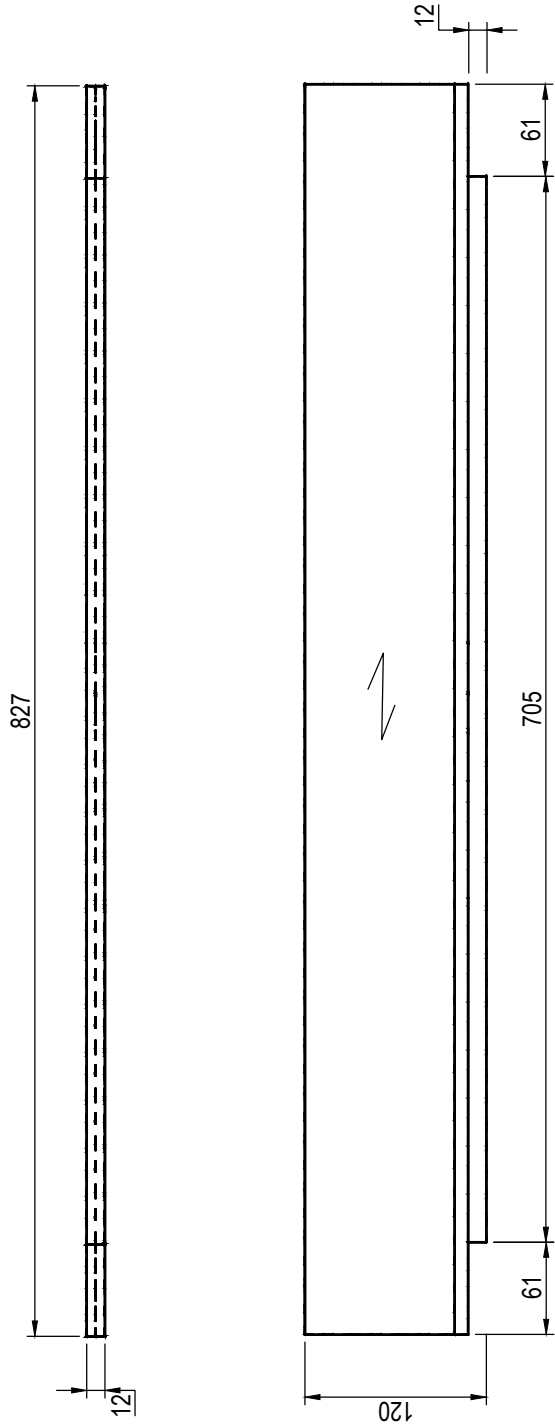


ISOMETRIC

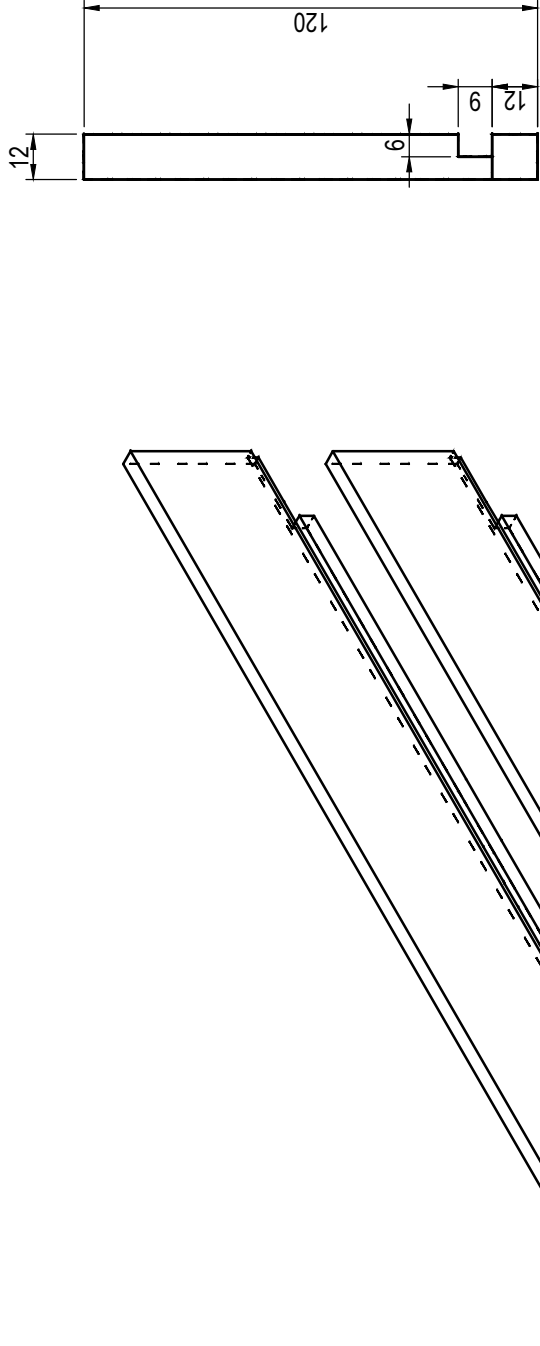
NO	RUNNING MACHINE	DATE	OPERATOR	LEADER MACHINE	QC MACHINE	REMARK
1	PANEL SAW	APPROVED <i>By Michael Ogle at 4:01 pm, Aug 25, 2022</i>				
2	ROUTER					
3	WBS / SANDER					
4						
5						

SKU # TRS-005WA	SKU description CASSETTI PICCOLI 2 DWR	Drawn by Widi	Released date 20/08/2022	Length	Width	Thick	Qty	Remark
Part # 5.3	Part description BOX- DRAWER back	Material PLYWOOD	Revision date	Rough 827	120	12	2	

TOP VIEW



FRONT VIEW



SIDE VIEW

ISOMETRIC

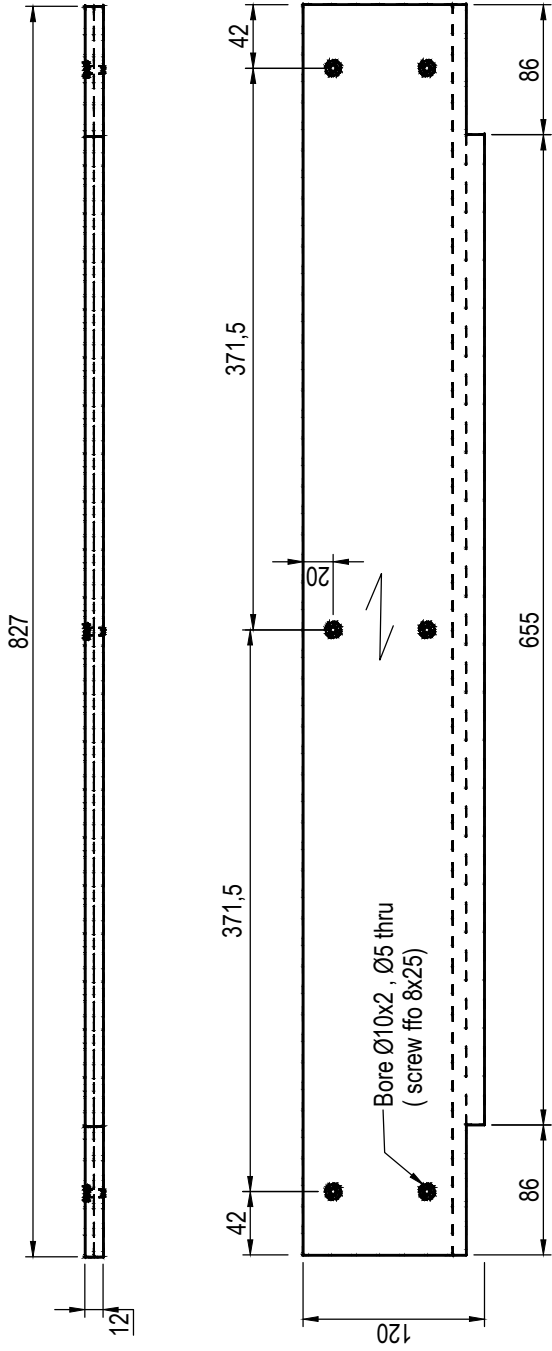
NO	RUNNING MACHINE	DATE	OPERATOR	LEADER MACHINE	QC MACHINE	REMARK
1	PANEL SAW					
2	DOWEL BORE					
3	ROUTER					
4	WBS / SANDER					
5						

APPROVED

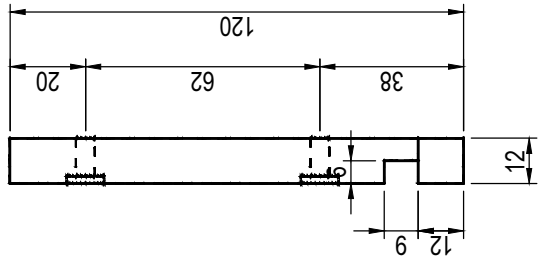
By Michael Ogle at 4:02 pm, Aug 25, 2022

SKU #	TRS-005WA	SKU description	CASSETTI PICCOLI 2 DWR	Drawn by	Widi	Released date	20/08/2022	Length		Width		Thick		Qty		Remark
Part #	5.2	Part description	BOX- DRAWER FRONT	Material	PLYWOOD	Revision date		Rough		Finish						
								827		120		12		2		

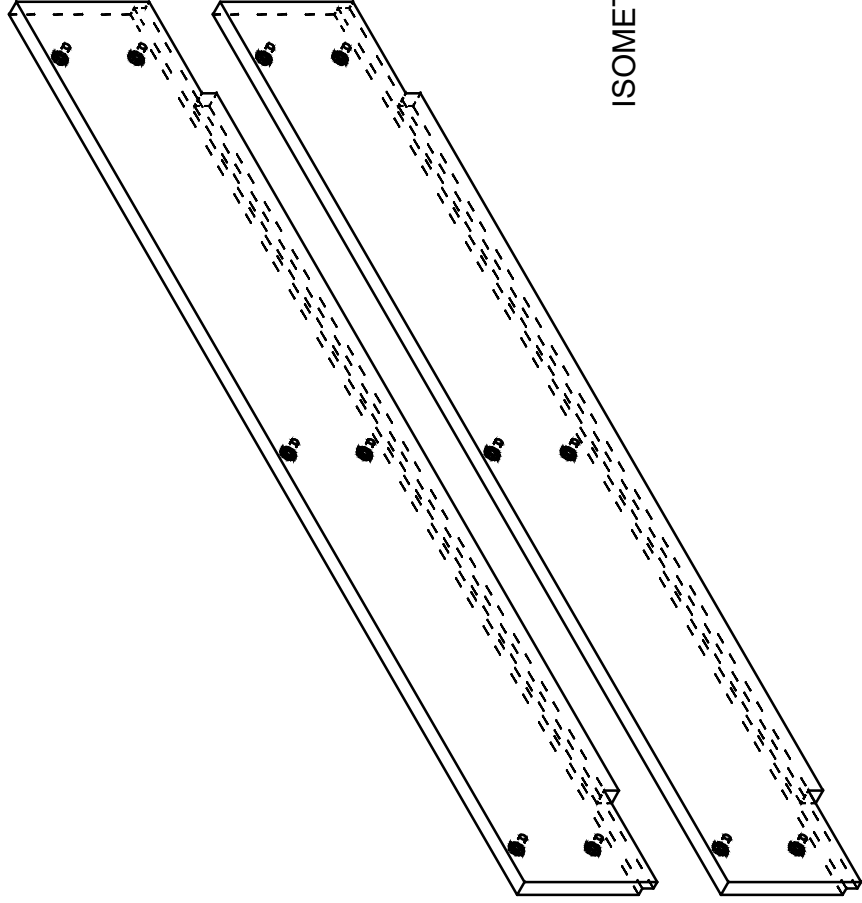
TOP VIEW



FRONT VIEW



SIDE VIEW



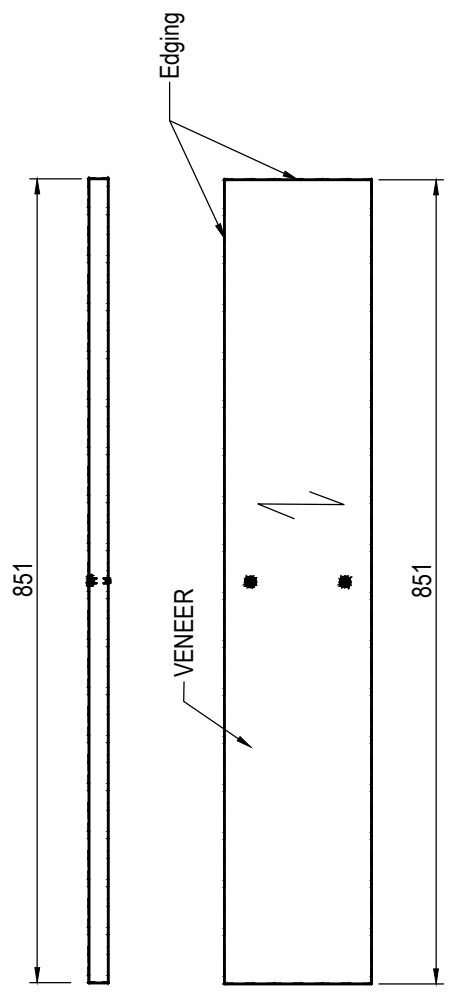
ISOMETRIC

NO	RUNNING MACHINE	DATE	OPERATOR	LEADER MACHINE	QC MACHINE	REMARK
1	PANEL SAW					
2	WBS / SANDER					
3						
4						
5						

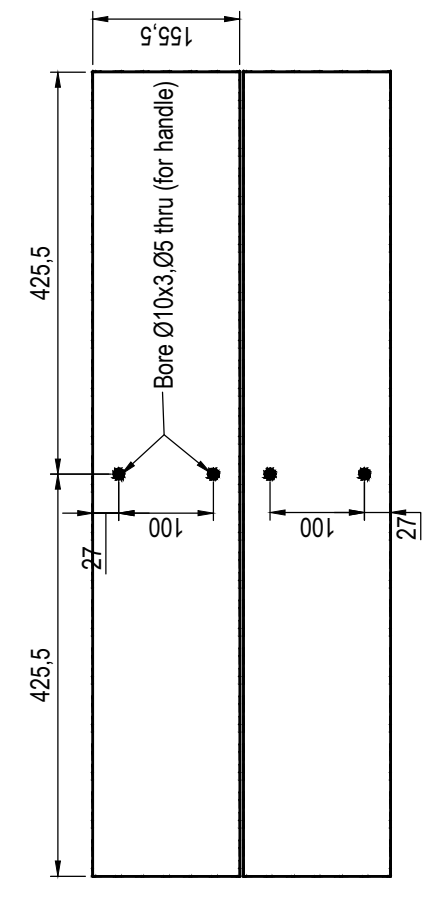
APPROVED
By Michael Ogle at 4:02 pm, Aug 25, 2022

SKU #	SKU description	Drawn by	Released date	Length	Width	Thick	Qty	Remark
TRS-005WA	CASSETTI PICCOLI 2 DWR	Widi	20/08/2022					
Part #	Part description	Material	Revision date	Rough	Finish			
5.1	BOX- DRAWER FACE	PLYWOOD				18	2	VENEER 2 FACE

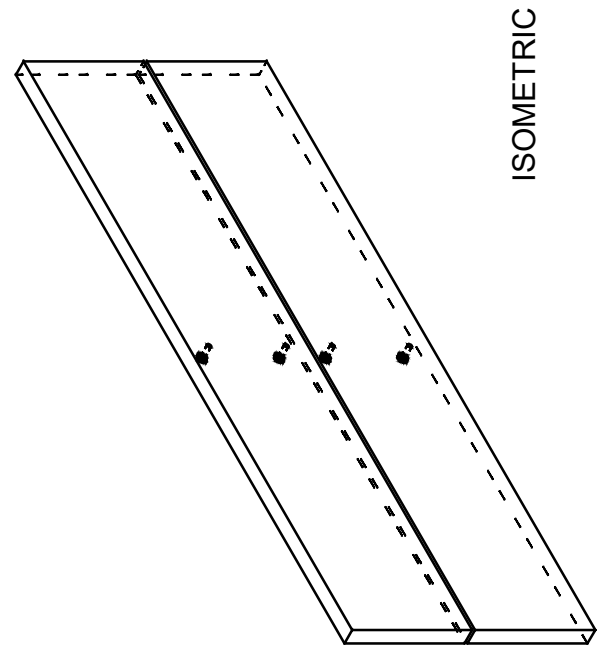
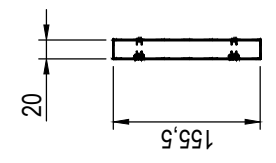
TOP VIEW



FRONT VIEW



SIDE VIEW

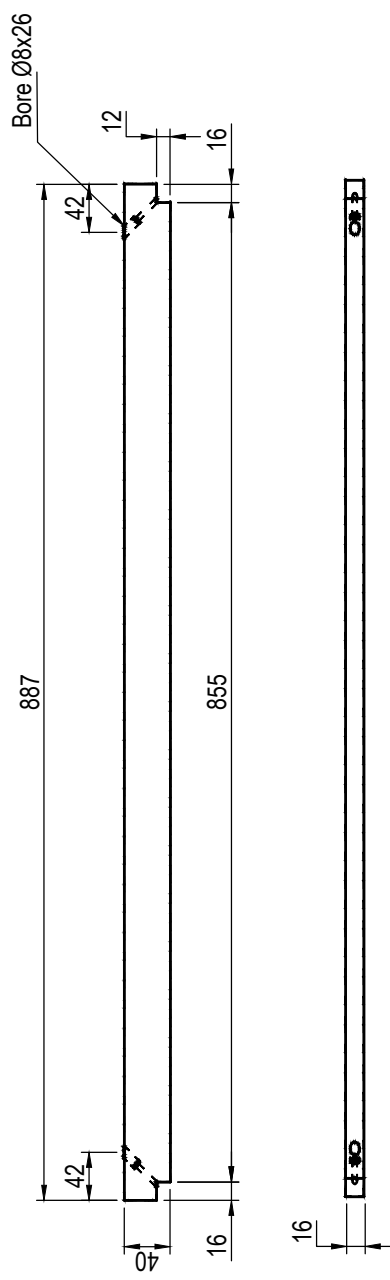


ISOMETRIC

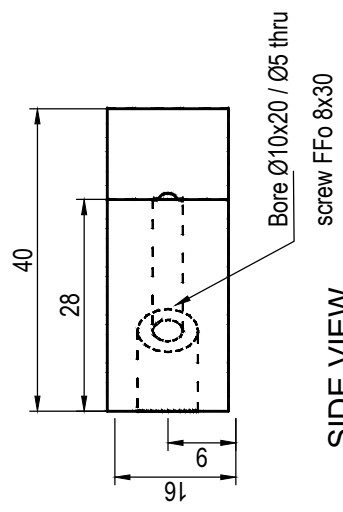
NO	RUNNING MACHINE	DATE	OPERATOR	LEADER MACHINE	QC MACHINE	REMARK
1	RIP SAW	APPROVED By Michael Ogle at 4:04 pm, Aug 25, 2022				
2	PLANNER					
3	DOWEL BORE					
4	SHAPER					
5	SANDER					

SKU #	SKU description	Drawn by	Released date	Length	Width	Thick	Qty	Remark
TRS-005WA	CASSETTI PICCOLI 2 DWR	Widi	20/08/2022	910	45	20	1	
Part #	Part description	Material	Revision date	Rough	Finish			
4.8	BOX- DRAWER WEB	WOOD		887	40	16	1	

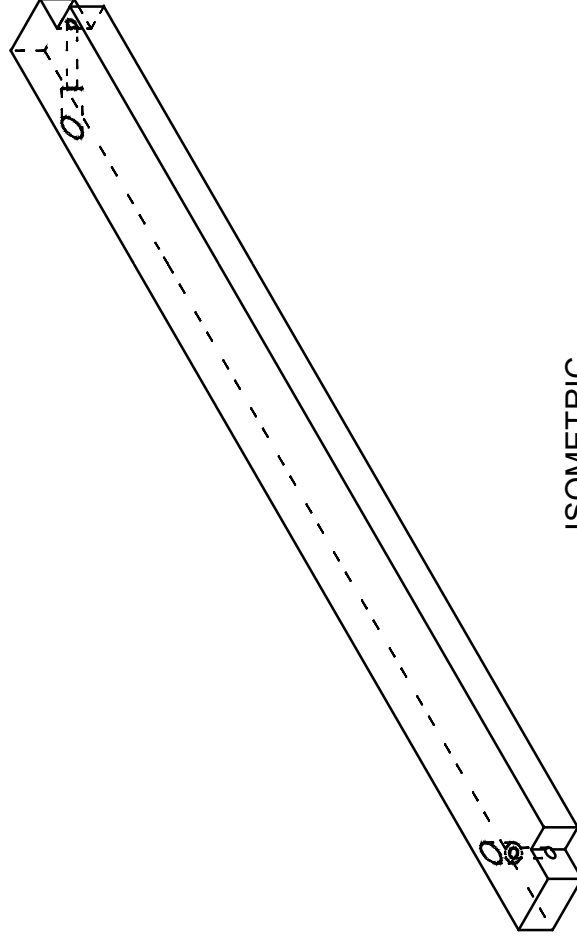
TOP VIEW



FRONT VIEW



SIDE VIEW

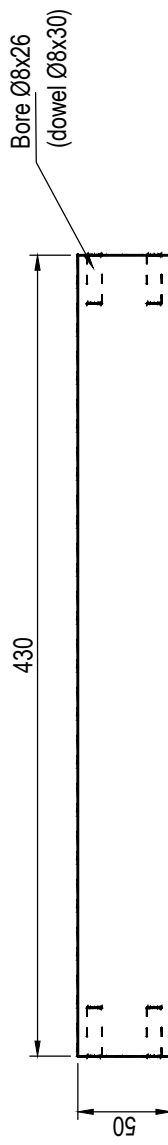
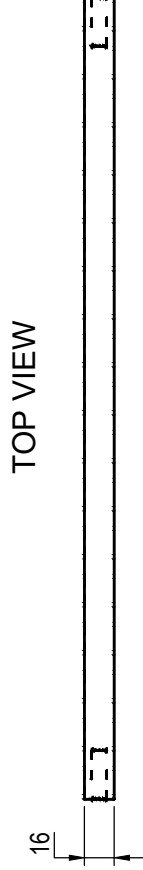


ISOMETRIC

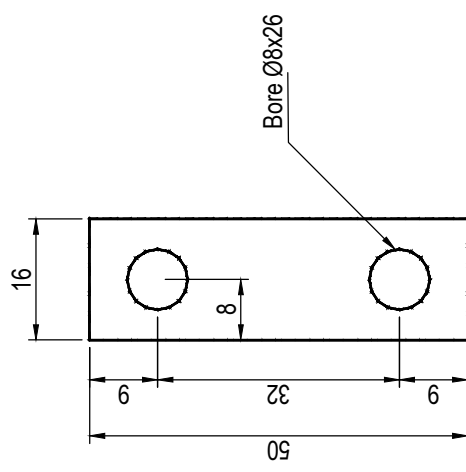
NO	RUNNING MACHINE	DATE	OPERATOR	LEADER MACHINE	QC MACHINE	REMARK
1	RIP SAW					
2	PLANNER					
3	DOWEL BORE					
4	SHAPER					
5	SANDER					

APPROVED
By Michael Ogle at 4:04 pm, Aug 25, 2022

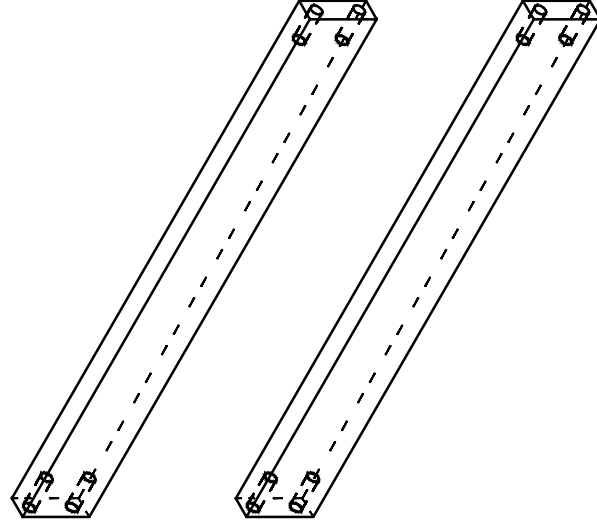
SKU #	SKU description	Drawn by	Released date	Length	Width	Thick	Qty	Remark
TRS-005WA	CASSETTI PICCOLI 2 DWR	Widi	20/08/2022	450	55	20	4	
Part #	Part description	Material	Revision date	Rough				
4.7	BOX- SIDE SUPPORT	WOOD		Finish	50	16	4	



FRONT VIEW



SIDE VIEW

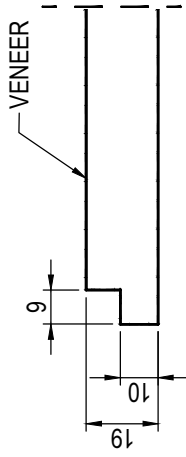


ISOMETRIC

NO	RUNNING MACHINE	DATE	OPERATOR	LEADER MACHINE	QC MACHINE	REMARK
1	PANEL / TABLE SAW					
2	SHAPER					
3	MOULDER					
4	WBS / SANDER					
5						

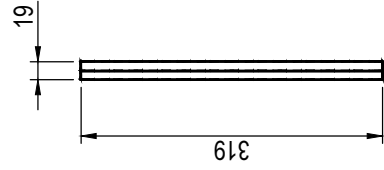
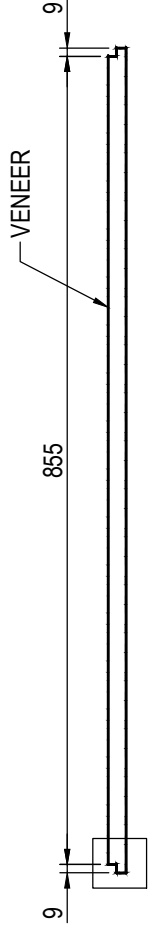
APPROVED
By Michael Ogle at 4:04 pm, Aug 25, 2022

SKU #	SKU description	Drawn by	Released date	Length	Width	Thick	Qty	Remark
TRS-005WA	CASSETTI PICCOLI 2 DWR	Widi	20/08/2022					
Part #	Part description	Material	Revision date	Rough				
4.6	BOX- BACK PANEL	PLYWOOD		Finish	873	18	1	VENEER 1 FACE

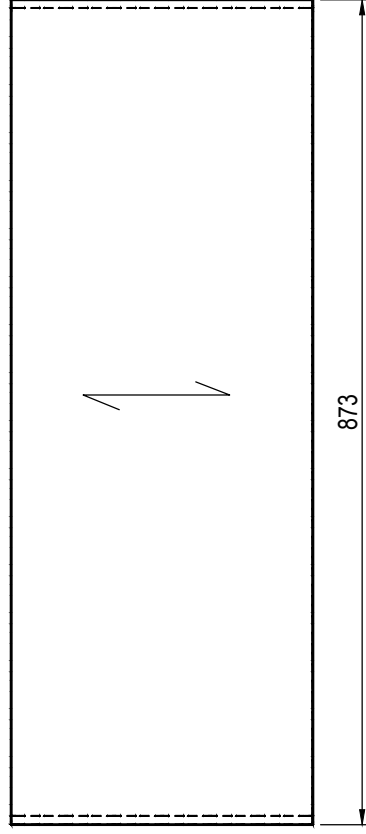


DETAIL

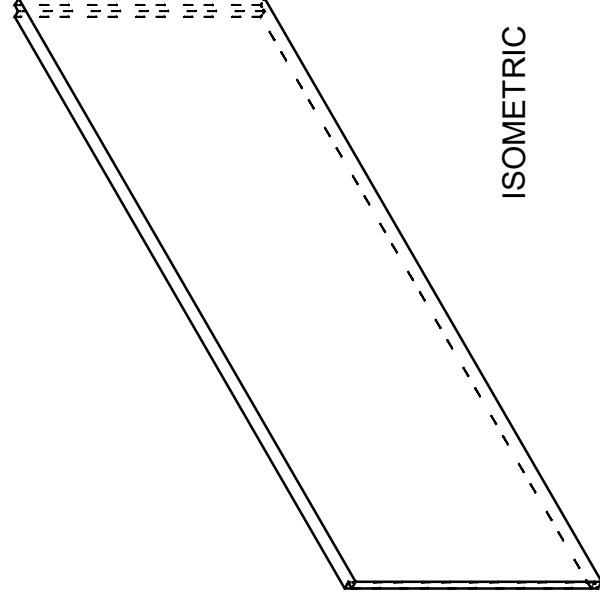
TOP VIEW



SIDE VIEW



FRONT VIEW



ISOMETRIC

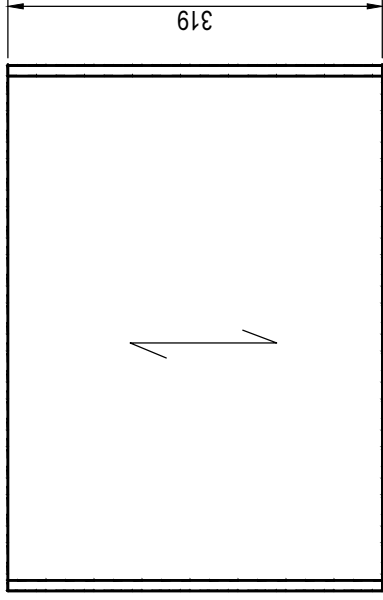
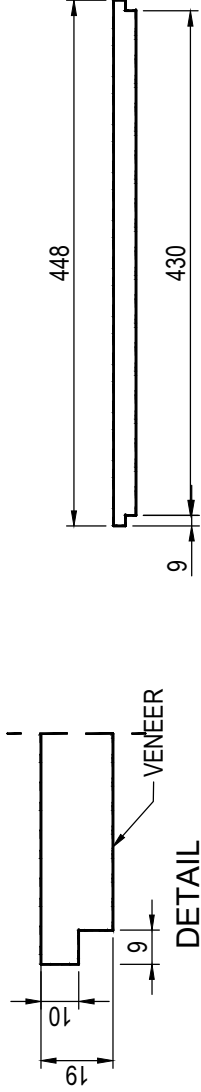
NO	RUNNING MACHINE	DATE	OPERATOR	LEADER MACHINE	QC MACHINE	REMARK
1	PANEL SAW					
2	SHAPER - MOULDER					
3	4 AXIS CNC					
4	WBS / SANDER					
5						

APPROVED

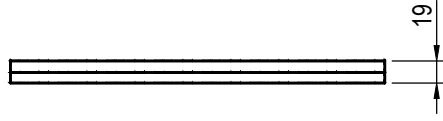
By Michael Ogle at 4:04 pm, Aug 25, 2022

SKU #	SKU description	Drawn by	Released date	Length	Width	Thick	Qty	Remark
TRS-005WA	CASSETTI PICCOLI 2 DWR	Widi	20/08/2022					
Part #	Part description	Material	Revision date	Rough				
4.5	BOX- SIDE PANEL	PLYWOOD		Finish	448	18	2	VENEER 1 FACE

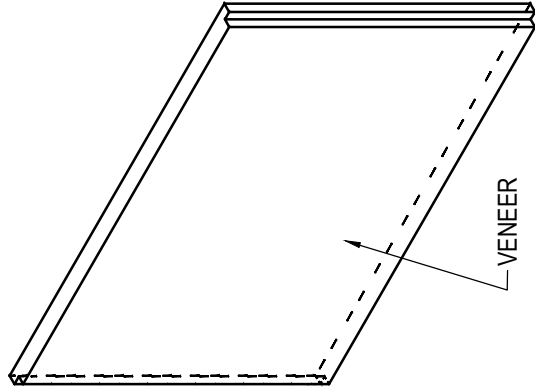
TOP VIEW



FRONT VIEW



SIDE VIEW



ISOMETRIC

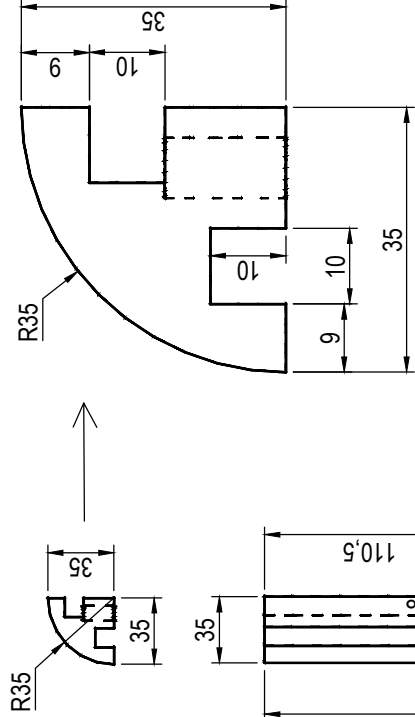
NO	RUNNING MACHINE	DATE	OPERATOR	LEADER MACHINE	QC MACHINE	REMARK
1	RIP SAW					
2	PLANNER					
3	DOWEL BORE					
4	5 HEAD MOULDER					
5	SANDER					
6	CUT OFF / MITER SAW					

APPROVED

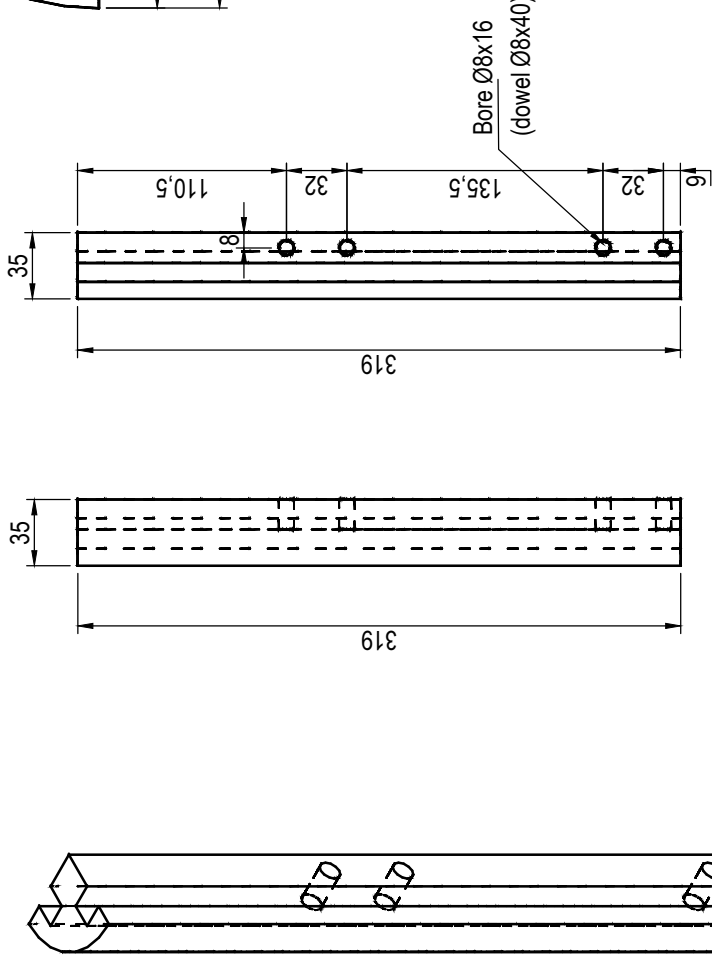
By Michael Ogle at 4:04 pm, Aug 25, 2022

SKU #	SKU description	Drawn by	Released date	Length	Width	Thick	Qty	Remark
TRS-005WA	CASSETTI PICCOLI 2 DWR	Widi	20/08/2022	350	40	40	2	
Part #	Part description	Material	Revision date	Rough	Finish			
4.4	BOX- SIDE BACK FRAME	WOOD		319	35	35	2	MAKE RIGHT & LEFT

TOP VIEW



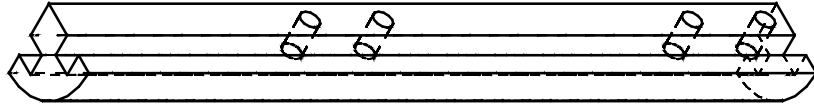
DETAIL



FRONT VIEW

SIDE VIEW

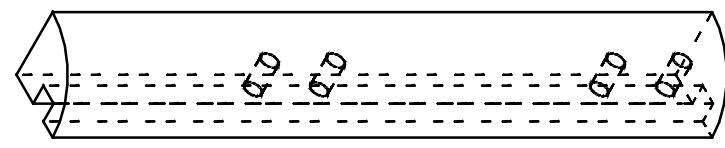
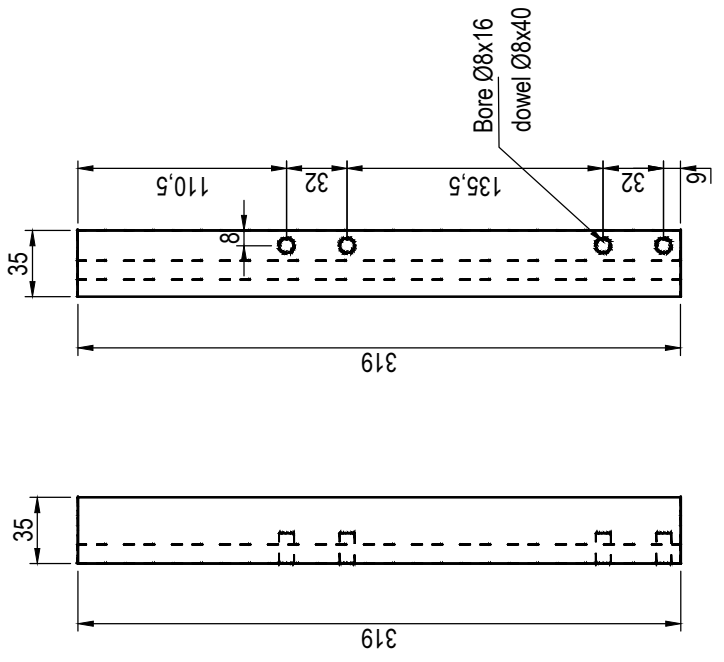
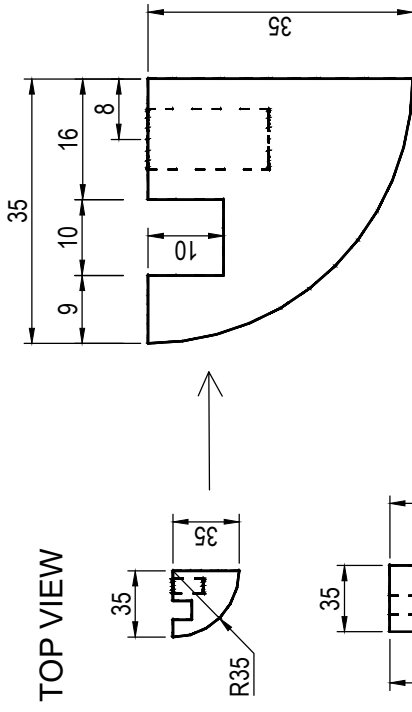
ISOMETRIC



NO	RUNNING MACHINE	DATE	OPERATOR	LEADER MACHINE	QC MACHINE	REMARK
1	RIP SAW					
2	PLANNER					
3	DOWEL BORE					
4	5 HEAD MOULDER					
5	SANDER					
6	CUT OFF / MITER SAW					

APPROVED
By Michael Ogle at 4:05 pm, Aug 25, 2022

SKU #	SKU description	Drawn by	Released date	Length	Width	Thick	Qty	Remark
TRS-005WA	CASSETTI PICCOLI 2 DWR	Widi	20/08/2022	350	40	40	2	
Part #	Part description	Material	Revision date	Rough	Finish			
4.3	BOX- SIDE FRONT FRAME	WOOD		319	35	35	2	MAKE RIGHT & LEFT



FRONT VIEW

SIDE VIEW

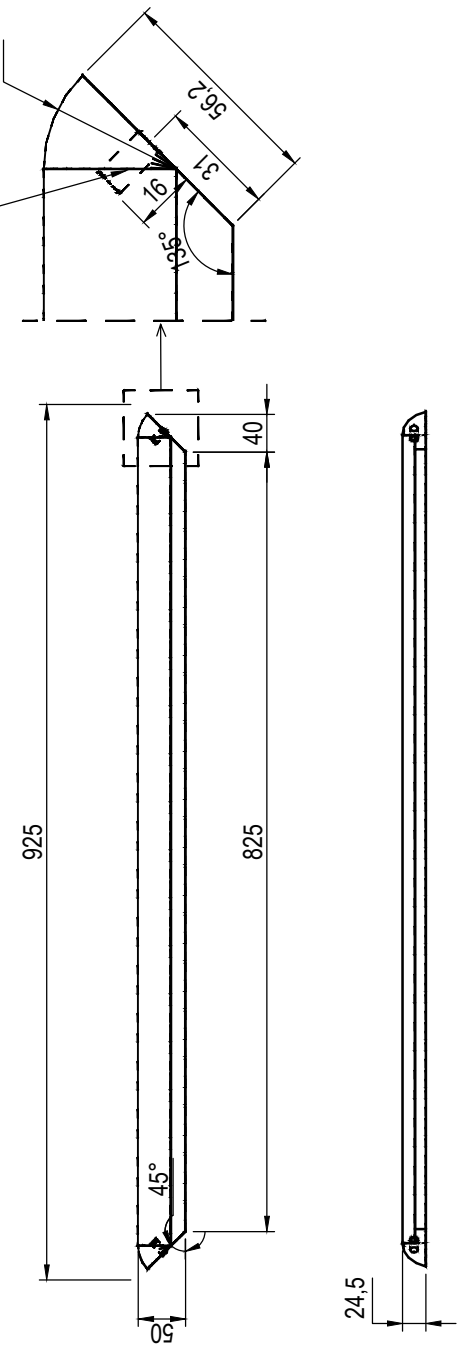
ISOMETRIC

NO	RUNNING MACHINE	DATE	OPERATOR	LEADER MACHINE	QC MACHINE	REMARK
1	RIP SAW					
2	5 HEAD MOULDER					
3	SANDER					
4	DOWEL BORE					
5	CUT OFF / MITER SAW					

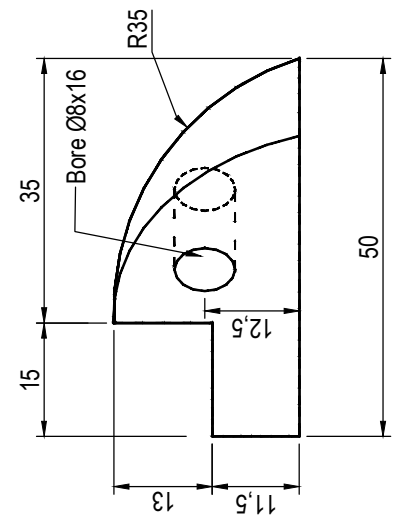
APPROVED
By Michael Ogle at 4:05 pm, Aug 25, 2022

SKU #	SKU description	Drawn by	Released date	Length	Width	Thick	Qty	Remark
TRS-005WA	CASSETTI PICCOLI 2 DWR	Widi	20/08/2022	945	55	30	4	
Part #	Part description	Material	Revision date	Rough	Finish			
4.2	BOX- SIDE LIST TOP	WOOD		925	50	25	4	

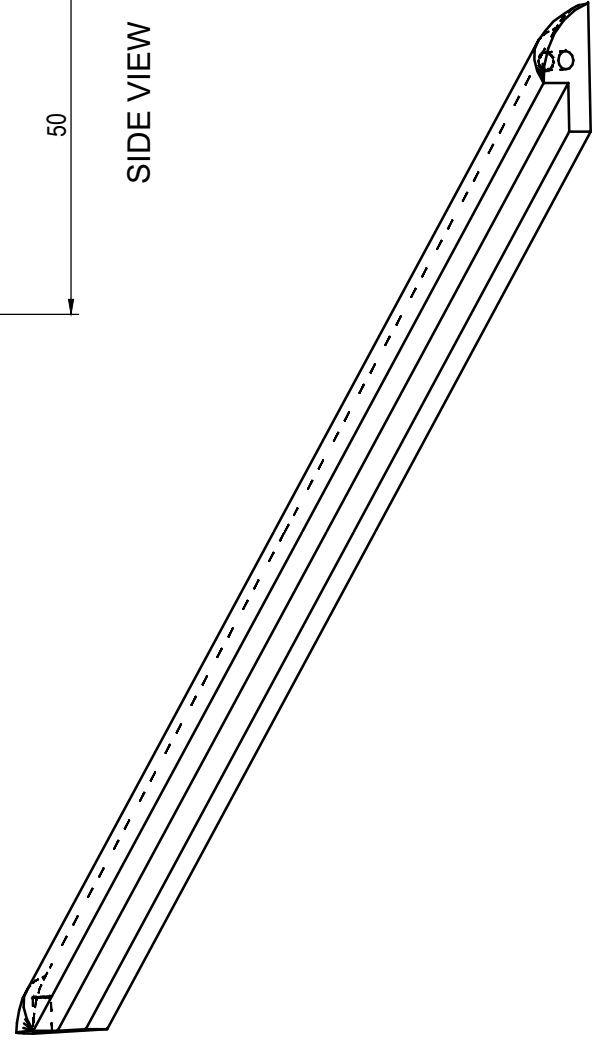
TOP VIEW



FRONT VIEW



SIDE VIEW

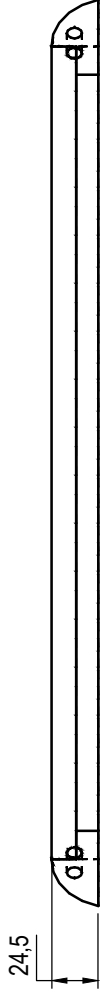
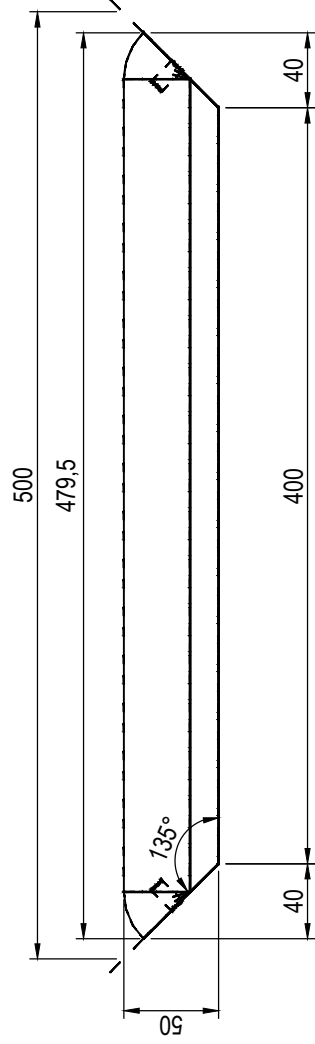


ISOMETRIC

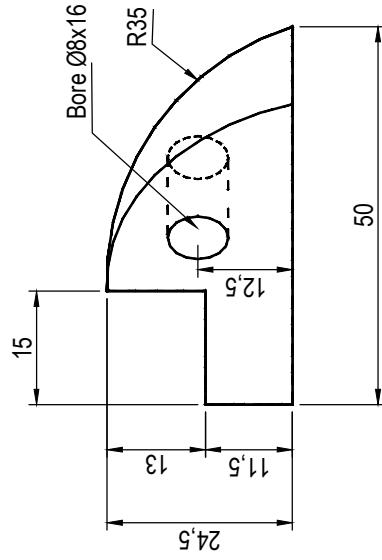
NO	RUNNING MACHINE	DATE	OPERATOR	LEADER MACHINE	QC MACHINE	REMARK
1	RIP SAW	APPROVED <i>By Michael Ogle at 4:05 pm, Aug 25, 2022</i>				
2	5 HEAD MOULDER					
3	SANDER					
4	DOWEL BORE					
5	CUT OFF / MITER SAW					

SKU #	SKU description	Drawn by	Released date	Length	Width	Thick	Qty	Remark
TRS-005WA	CASSETTI PICCOLI 2 DWR	Widi	20/08/2022					
Part # 4.1	BOX- SIDE LIST TOP	Material WOOD	Revision date	Rough	520	30	4	
				Finish	500	50	25	4

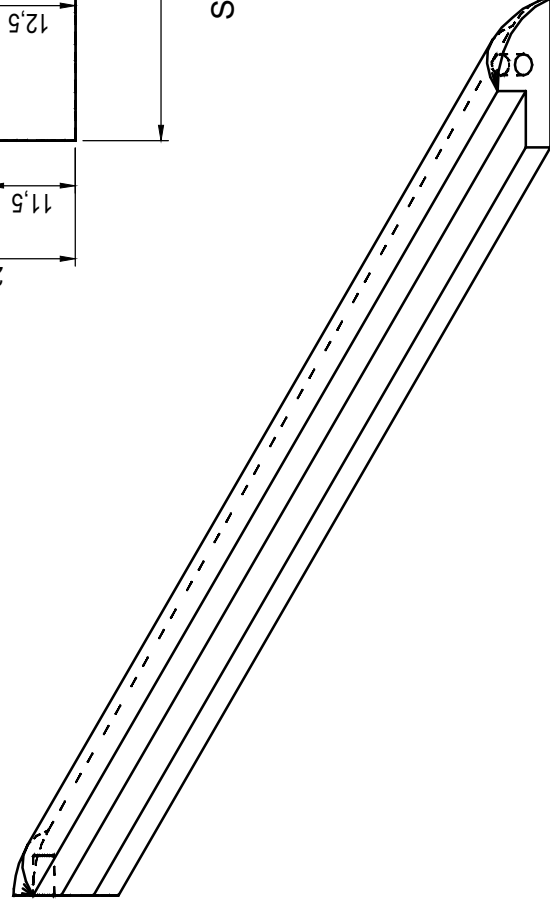
TOP VIEW



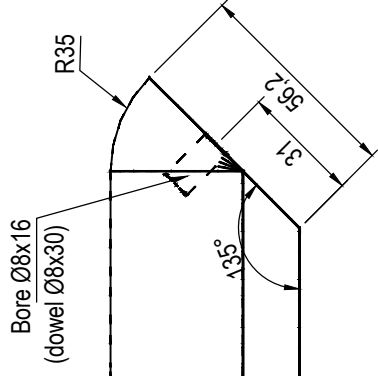
FRONT VIEW



SIDE VIEW



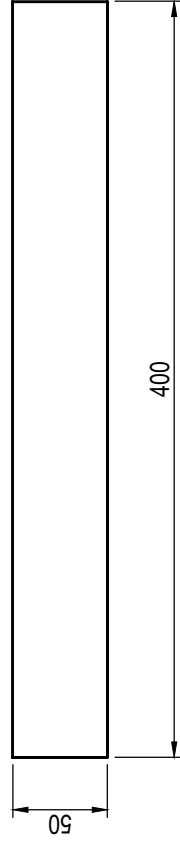
ISOMETRIC



NO	RUNNING MACHINE	DATE	OPERATOR	LEADER MACHINE	QC MACHINE	REMARK
1	RIP SAW	APPROVED <i>By Michael Ogle at 4:05 pm, Aug 25, 2022</i>				
2	SHAPER / MOULDER					
3	CUT SAW					
4	SANDER					
5						

SKU #	SKU description	Drawn by	Released date	Length	Width	Thick	Qty	Remark
TRS-001AS	ARMADIO BELLO	Widi	20/08/2022	420	55	30	4	
Part #	Part description	Material	Revision date	Rough				
3.7	SHELF- SUPPORT FRAME	WOOD		Finish	50	25	4	

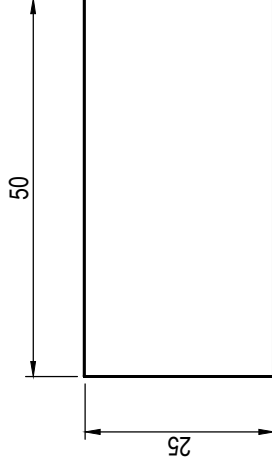
TOP VIEW



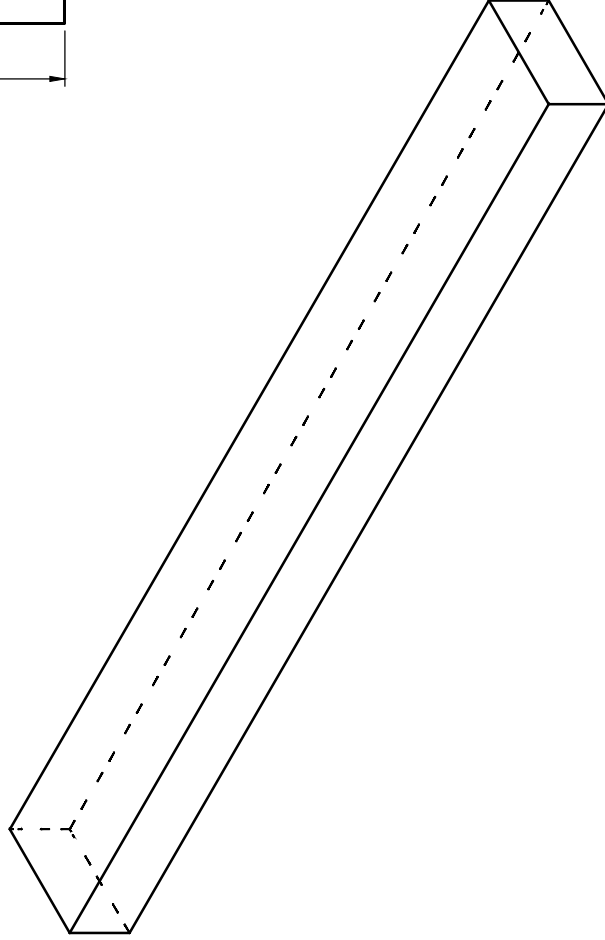
FRONT VIEW



SIDE VIEW



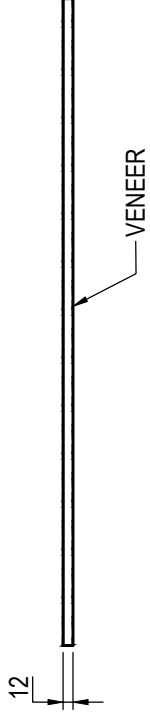
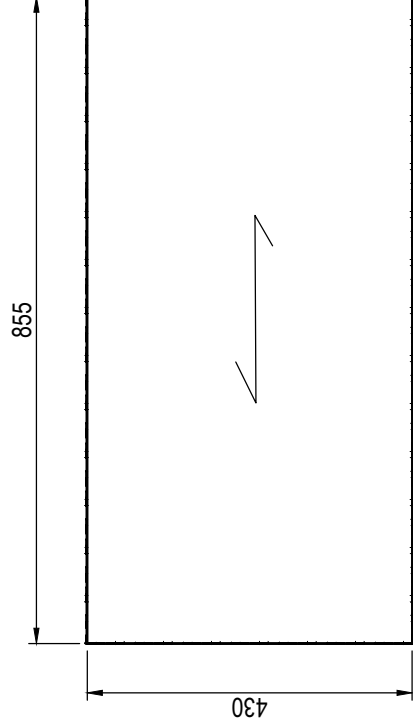
ISOMETRIC



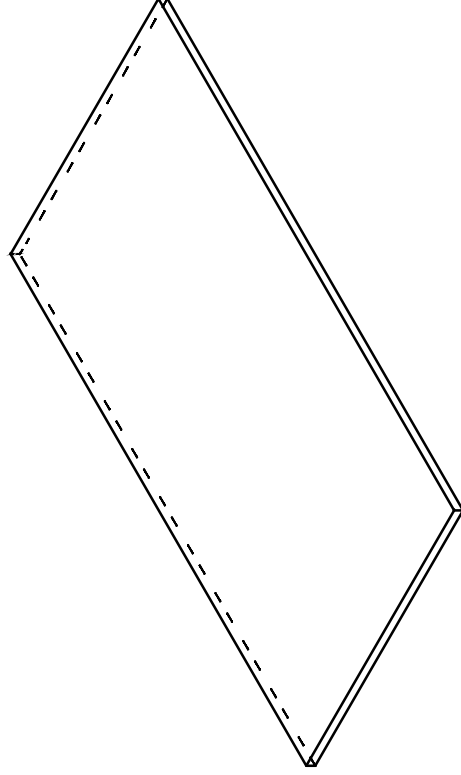
NO	RUNNING MACHINE	DATE	OPERATOR	LEADER MACHINE	QC MACHINE	REMARK
1	PANEL / TABLE SAW	APPROVED <i>By Michael Ogle at 4:05 pm, Aug 25, 2022</i>				
2	SHAPER / MOULDER					
3	WBS / SANDER					
4						
5						

SKU # TRS-001AS	SKU description ARMADIO BELLO	Drawn by Widi	Released date 20/08/2022	Length	Width	Thick	Qty	Remark
Part # 3.6	Part description SHELF- BOTTOM PANEL	Material PLYWOOD	Revision date	Rough	430	12	2	VENEER 1 FACE
				Finish	855			

TOP VIEW



FRONT VIEW

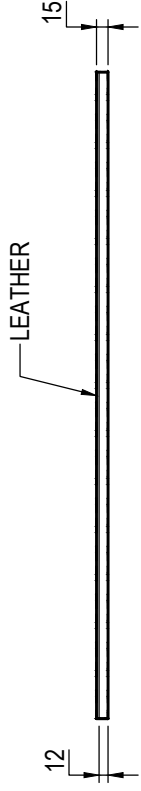
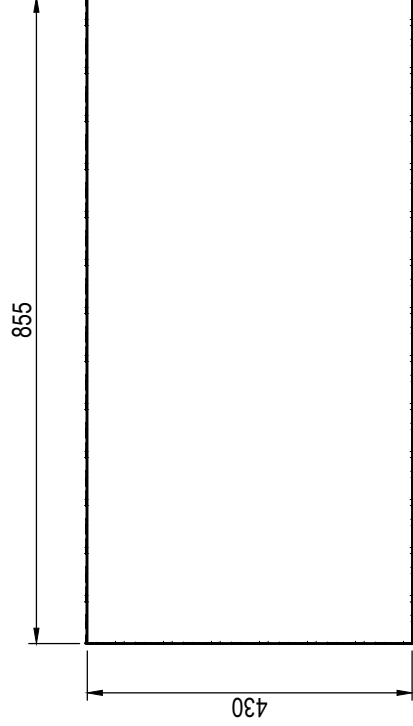


NO	RUNNING MACHINE	DATE	OPERATOR	LEADER MACHINE	QC MACHINE	REMARK
1	PANEL / TABLE SAW					
2	SHAPER / MOULDER					
3	WBS / SANDER					
4						
5						

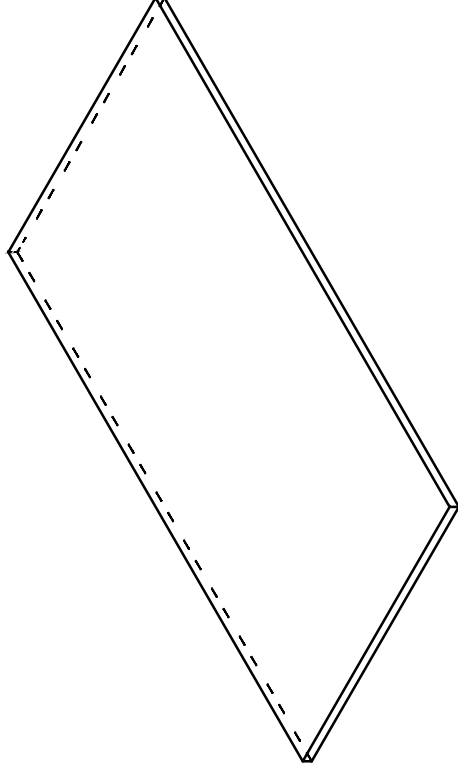
APPROVED
 By Michael Ogle at 4:05 pm, Aug 25, 2022

SKU # TRS-001AS	SKU description ARMADIO BELLO	Drawn by Widi	Released date 20/08/2022	Length	Width	Thick	Qty	Remark
Part # 3.5	Part description SHELF- TOP PANEL	Material PLYWOOD	Revision date	Rough	430	12	2	
				Finish				

TOP VIEW

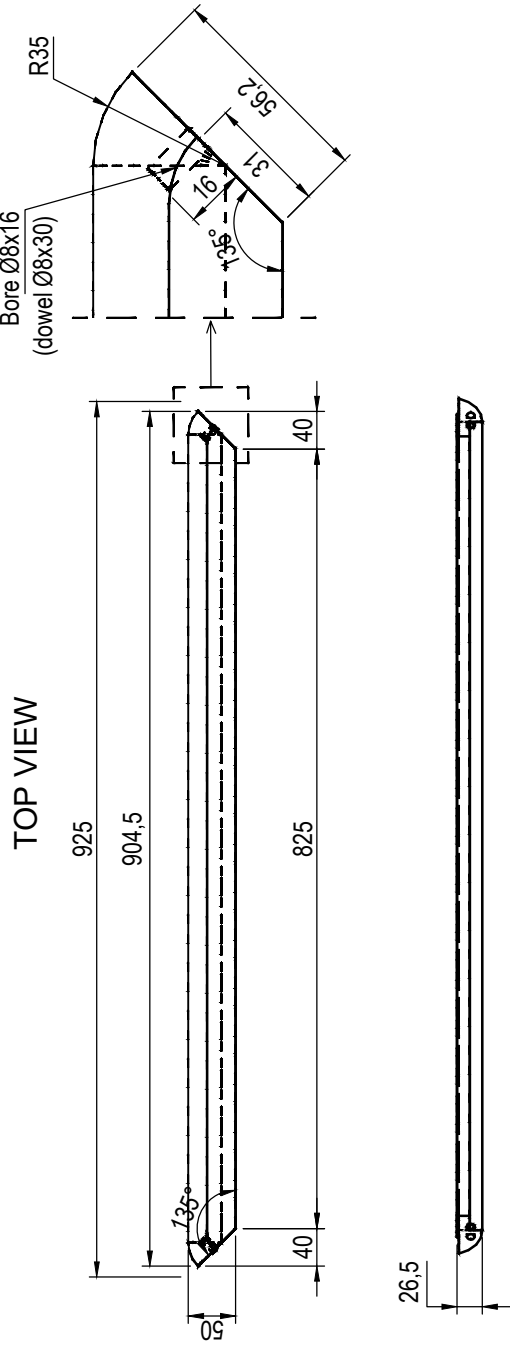


FRONT VIEW

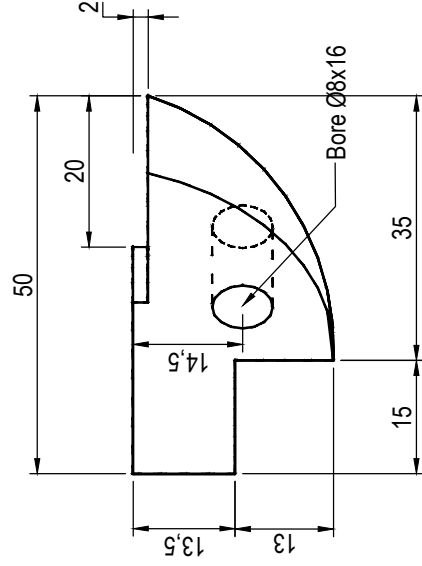


NO	RUNNING MACHINE	DATE	OPERATOR	LEADER MACHINE	QC MACHINE	REMARK
1	RIP SAW	APPROVED <i>By Michael Ogle at 4:05 pm, Aug 25, 2022</i>				
2	5 HEAD MOULDER					
3	SANDER					
4	DOWEL BORE					
5	MITER SAW					

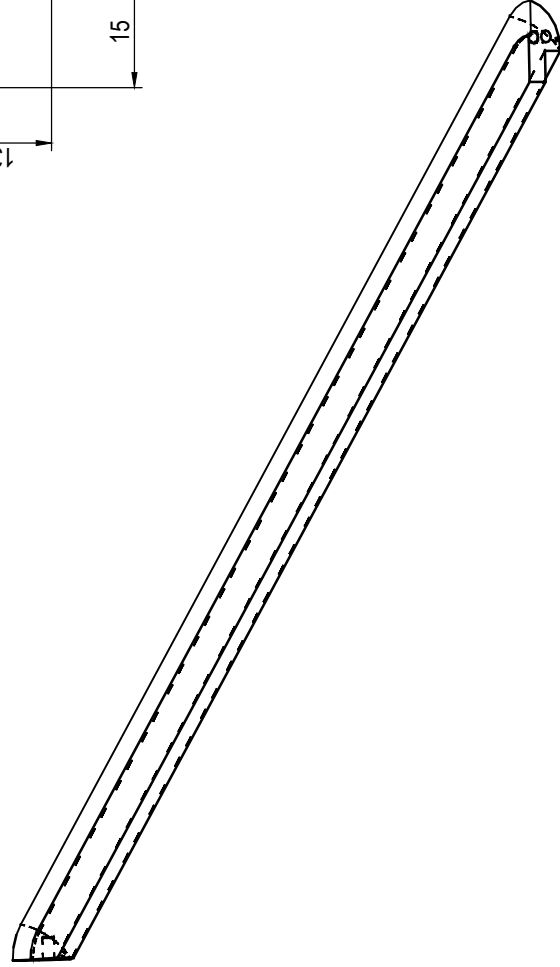
SKU #	SKU description	Drawn by	Released date	Length	Width	Thick	Qty	Remark
TRS-001AS	ARMADIO BELLO	Widi	20/08/2022	945	55	32	4	
Part #	Part description	Material	Revision date	Rough				
3.4	SHELF- FRONT LIST BOTTOM	WOOD		Finish	50	27	4	



FRONT VIEW



SIDE VIEW

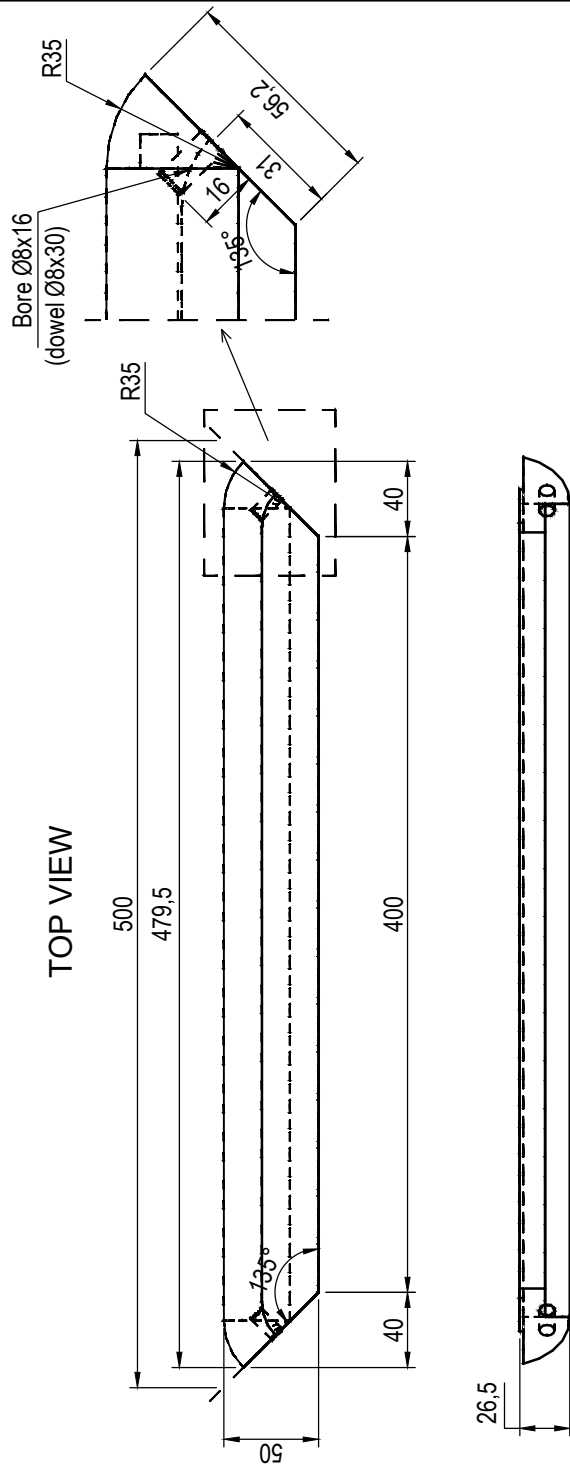


ISOMETRIC

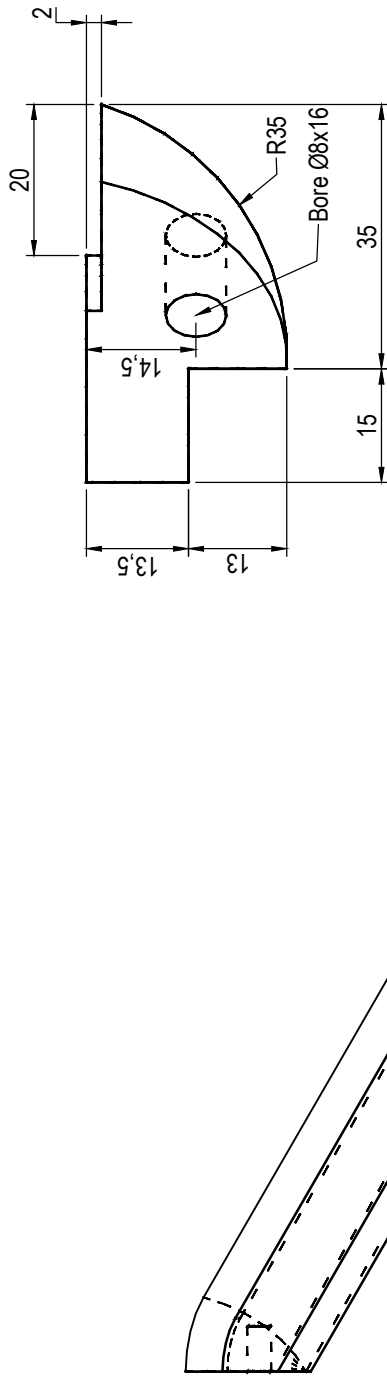
NO	RUNNING MACHINE	DATE	OPERATOR	LEADER MACHINE	QC MACHINE	REMARK
1	RIP SAW	APPROVED <i>By Michael Ogle at 4:05 pm, Aug 25, 2022</i>				
2	5 HEAD MOULDER					
3	SANDER					
4	DOWEL BORE					
5	MITER SAW					

SKU #	SKU description	Drawn by	Released date	Length	Width	Thick	Qty	Remark
TRS-001AS	ARMADIO BELLO	Widi	20/08/2022	520	55	32	4	
Part #	Part description	Material	Revision date	Rough				
3.3	SHELF- SIDE LIST BOTTOM	WOOD		Finish	50	27	4	

TOP VIEW

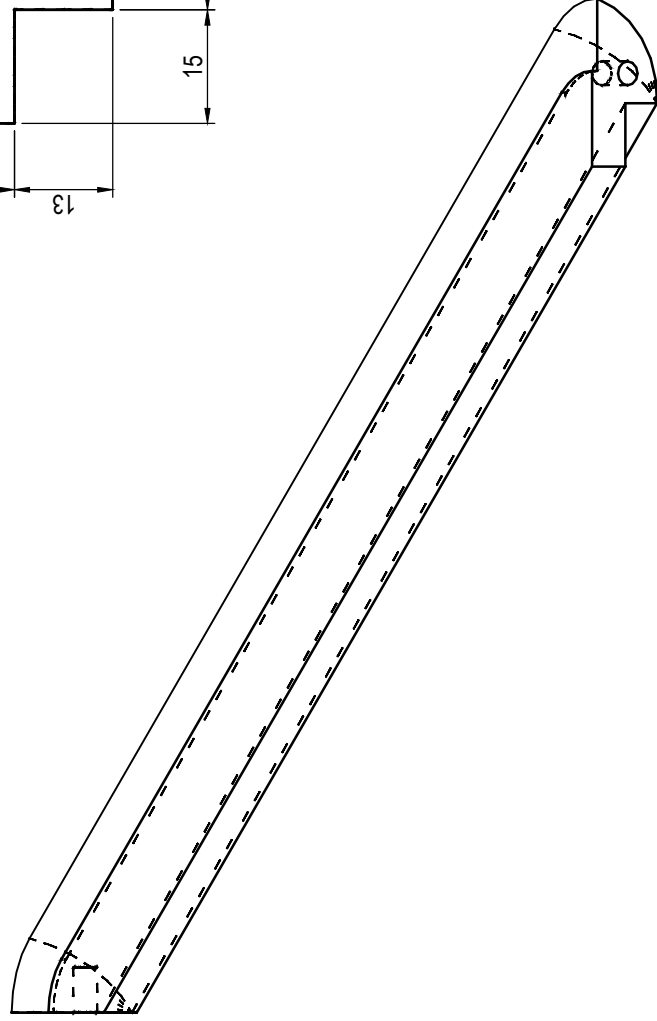


FRONT VIEW



SIDE VIEW

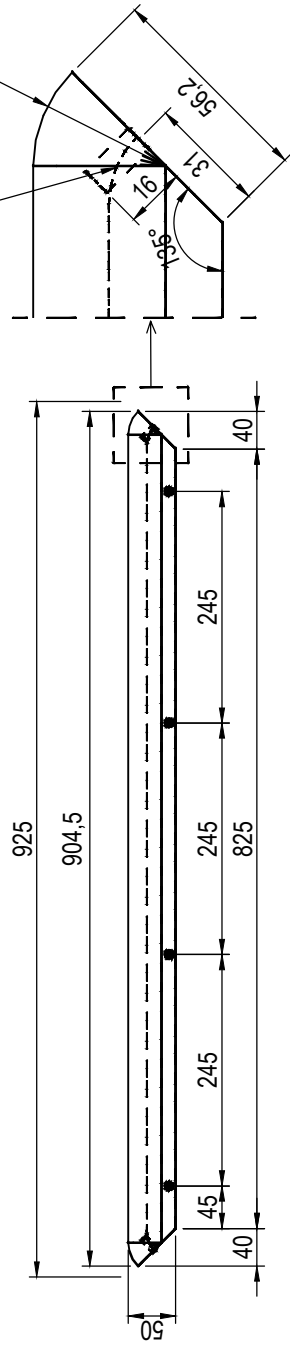
ISOMETRIC



NO	RUNNING MACHINE	DATE	OPERATOR	LEADER MACHINE	QC MACHINE	REMARK
1	RIP SAW	APPROVED <i>By Michael Ogle at 4:05 pm, Aug 25, 2022</i>				
2	5 HEAD MOULDER					
3	SANDER					
4	DOWEL BORE					
5	MITER SAW					

SKU #	SKU description	Drawn by	Released date	Length	Width	Thick	Qty	Remark
TRS-001AS	ARMADIO BELLO	Widi	20/08/2022	945	55	32	4	
Part #	Part description	Material	Revision date	Rough				
3.2	SHELF- FRONT LIST TOP	WOOD		Finish	50	27	4	

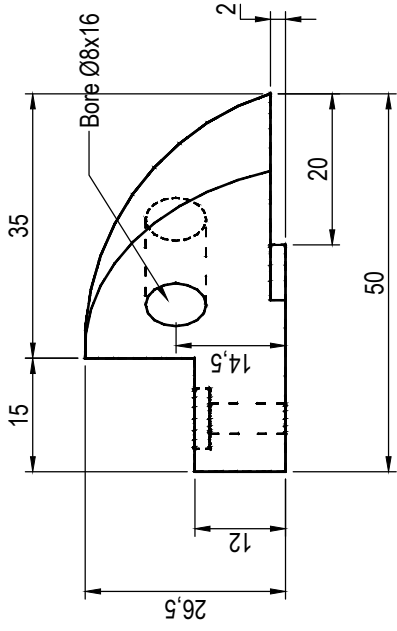
TOP VIEW



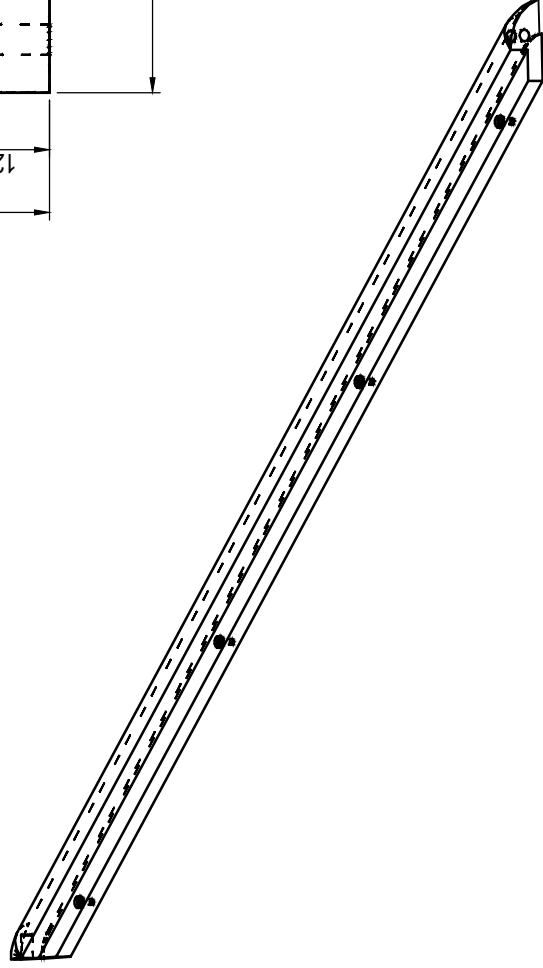
26,5



FRONT VIEW



SIDE VIEW

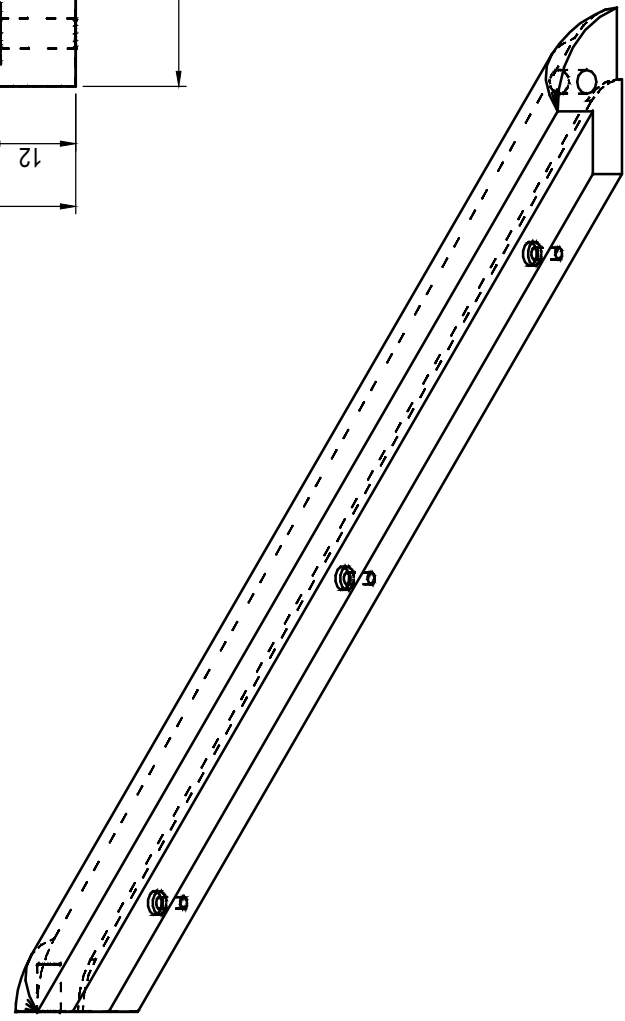
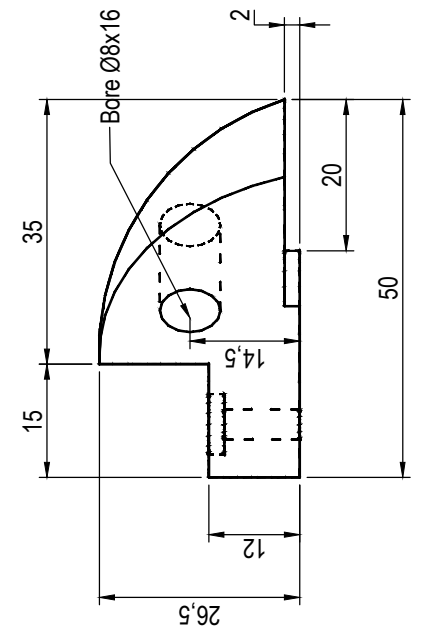
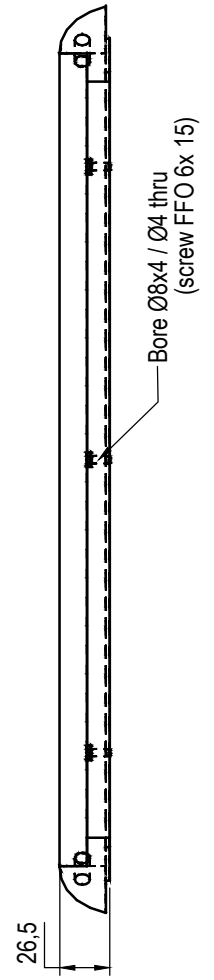
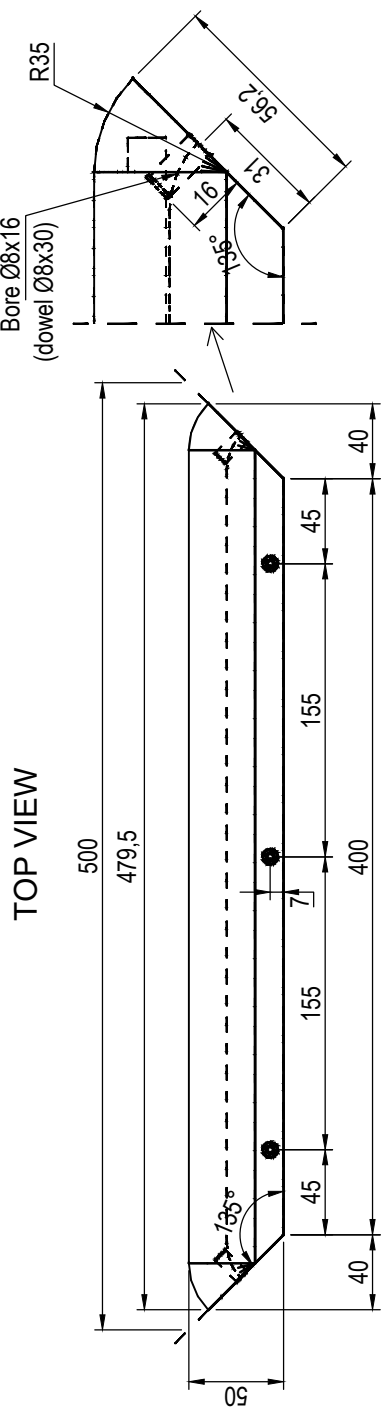


ISOMETRIC

NO	RUNNING MACHINE	DATE	OPERATOR	LEADER MACHINE	QC MACHINE	REMARK
1	RIP SAW					
2	5 HEAD MOULDER					
3	SANDER					
4	DOWEL BORE					
5	MITER SAW					

APPROVED
By Michael Ogle at 4:05 pm, Aug 25, 2022

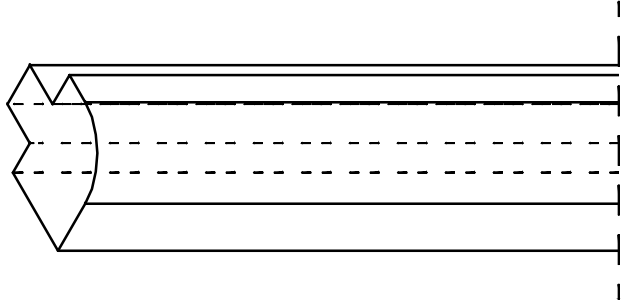
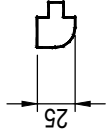
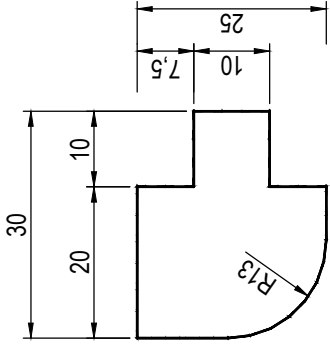
SKU #	SKU description	Drawn by	Released date	Length	Width	Thick	Qty	Remark
TRS-001AS	ARMADIO BELLO	Widi	20/08/2022	520	55	32	4	
Part #	Part description	Material	Revision date	Rough	Finish			
3.1	SHELF- SIDE LIST TOP	WOOD		500	50	27	4	



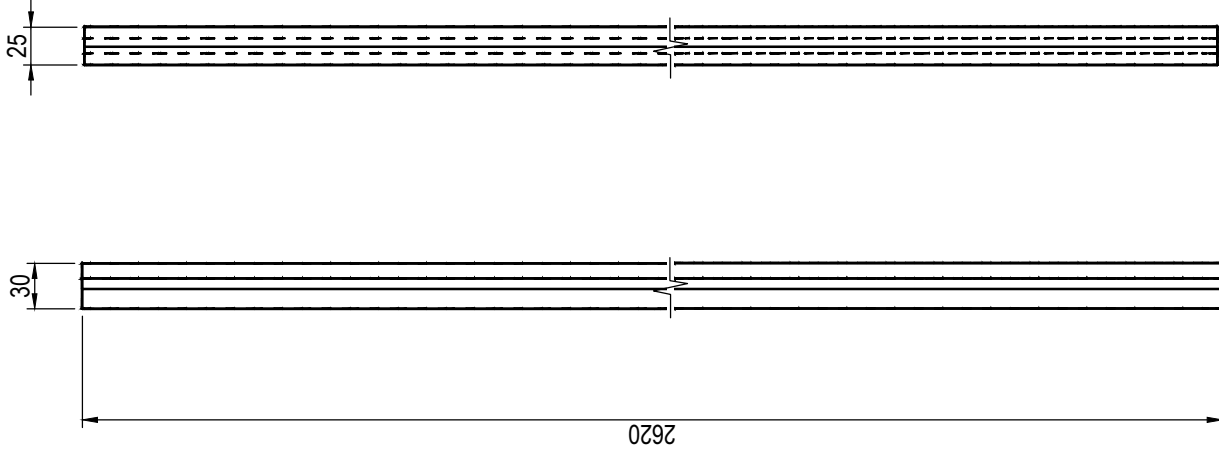
NO	RUNNING MACHINE	DATE	OPERATOR	LEADER MACHINE	QC MACHINE	REMARK
1	RIP SAW	APPROVED <i>By Michael Ogle at 4:05 pm, Aug 25, 2022</i>				
2	5 HEAD MOULDER					
3	SANDER					
4	CUT OFF / MITER SAW					
5						

SKU #	SKU description	Drawn by	Released date	Length	Width	Thick	Qty	Remark
TRS-001AS	ARMADIO BELLO	Widi	20/08/2022	2640	35	30	4	
Part #	Part description	Material	Revision date	Rough				
2.3	DOOR - LIST SIDE	WOOD		Finish	30	26	4	

TOP VIEW



ISOMETRIC



FRONT VIEW

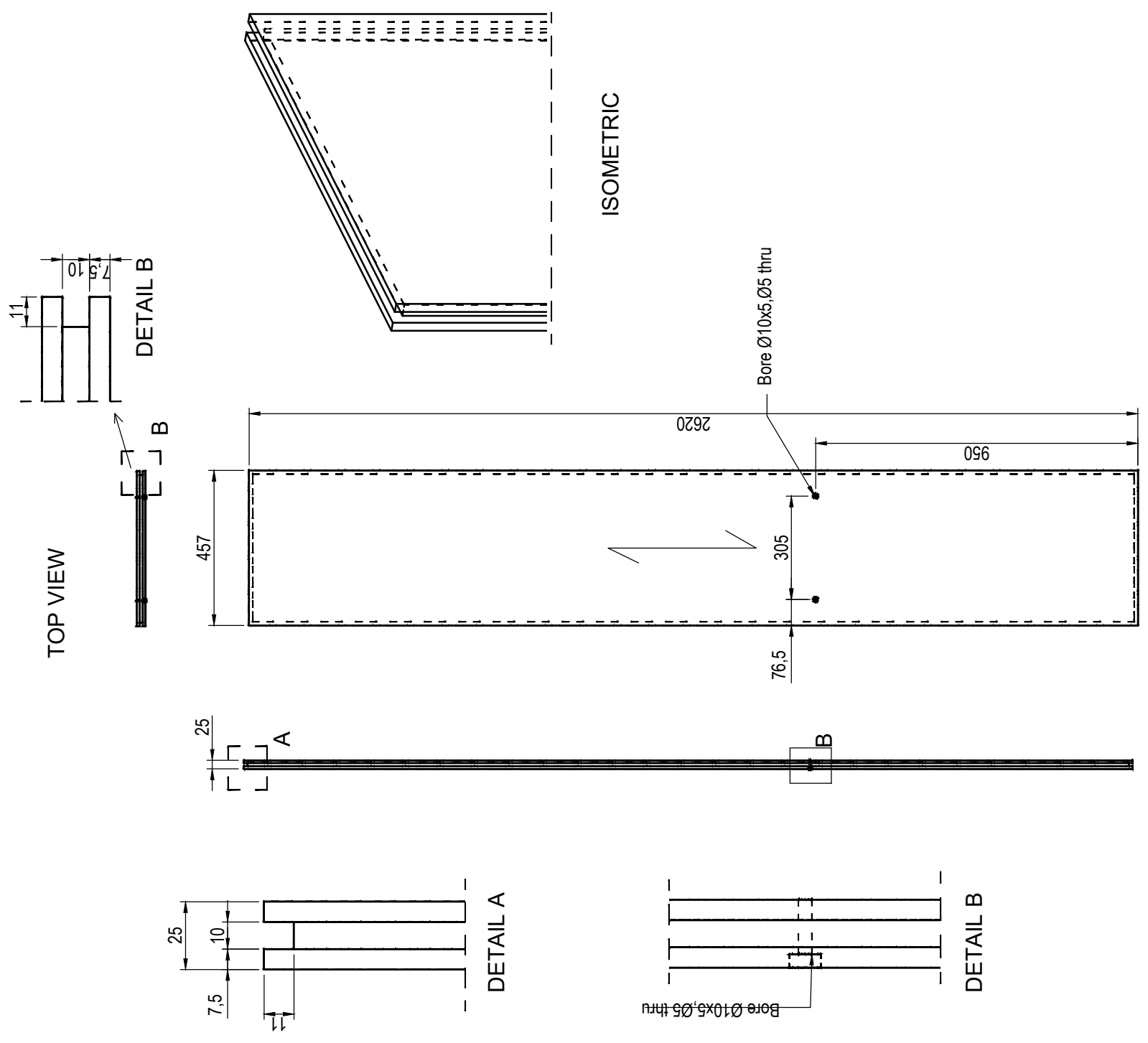
SIDE VIEW

DETAIL

NO	RUNNING MACHINE	DATE	OPERATOR	LEADER MACHINE	QC MACHINE	REMARK
1	PANEL / TABLE SAW					
2	SHAPER / MOULDER					
3	WBS / SANDER					
4						
5						

APPROVED
By Michael Ogle at 4:06 pm, Aug 25, 2022

SKU #	SKU description	Drawn by	Released date	Length	Width	Thick	Qty	Remark
TRS-001AS	ARMADIO BELLO	Widi	20/08/2022					
Part #	Part description	Material	Revision date	Rough	Finish			
2.1	DOOR -PANEL	PLYWOOD		2620	457	25	2	VENEER 2 FACE

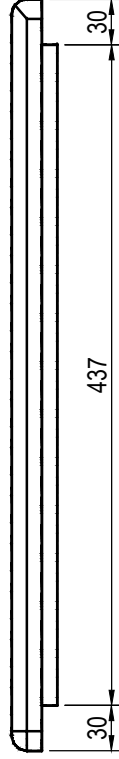
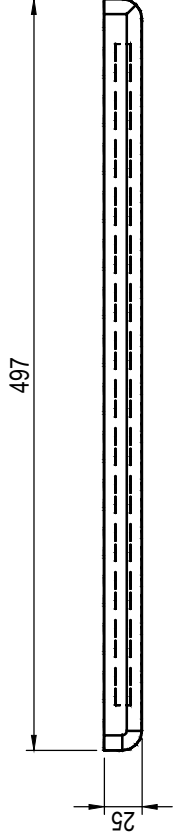


SIDE VIEW FRONT VIEW

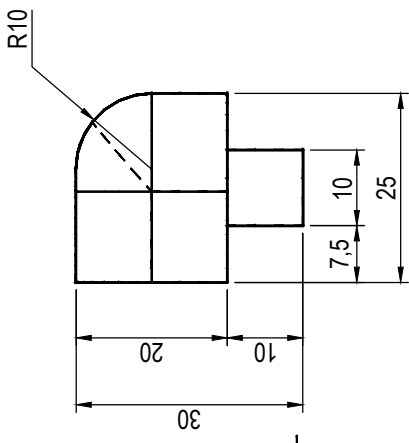
NO	RUNNING MACHINE	DATE	OPERATOR	LEADER MACHINE	QC MACHINE	REMARK
1	RIP SAW	APPROVED <i>By Michael Ogle at 4:07 pm, Aug 25, 2022</i>				
2	5 HEAD MOULDER					
3	CUT OFF					
4	SPINDLE SHAPER					
5						

SKU #	SKU description	Drawn by	Released date	Length	Width	Thick	Qty	Remark
TRS-001AS	ARMADIO BELLO	Widi	20/08/2022	520	35	30	4	
Part #	DOOR - LIST TOP/ BTM	Material	Revision date	Rough				
2.2		WOOD		Finish	30	26	4	

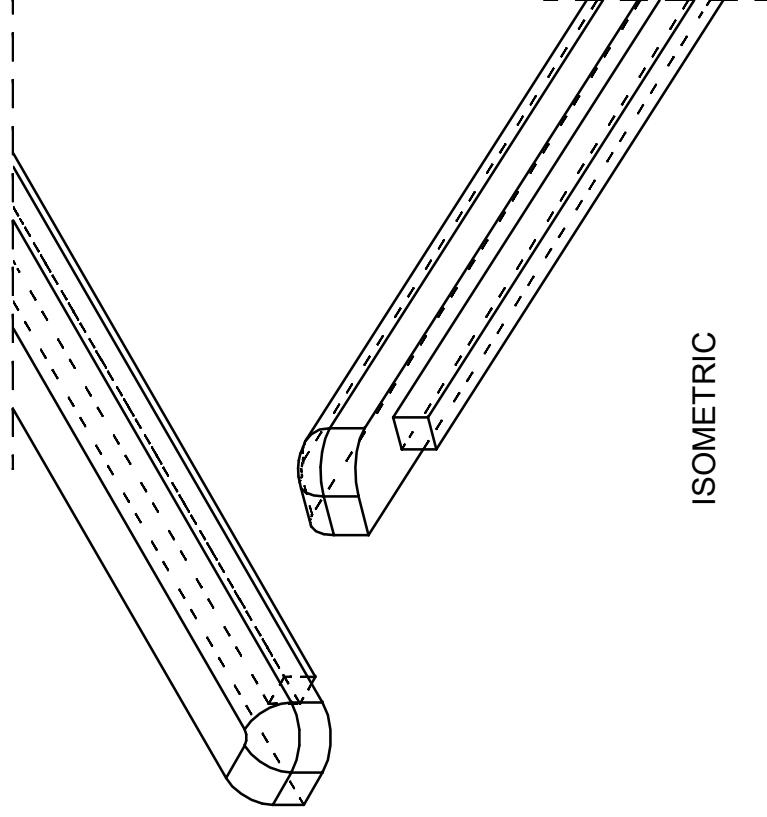
TOP VIEW



FRONT VIEW



SIDE VIEW

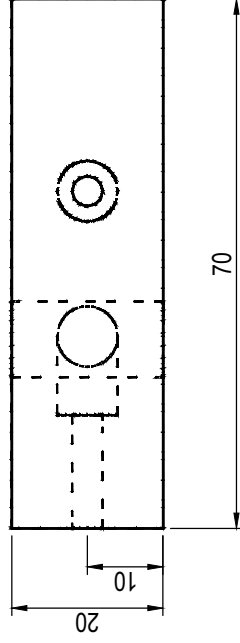
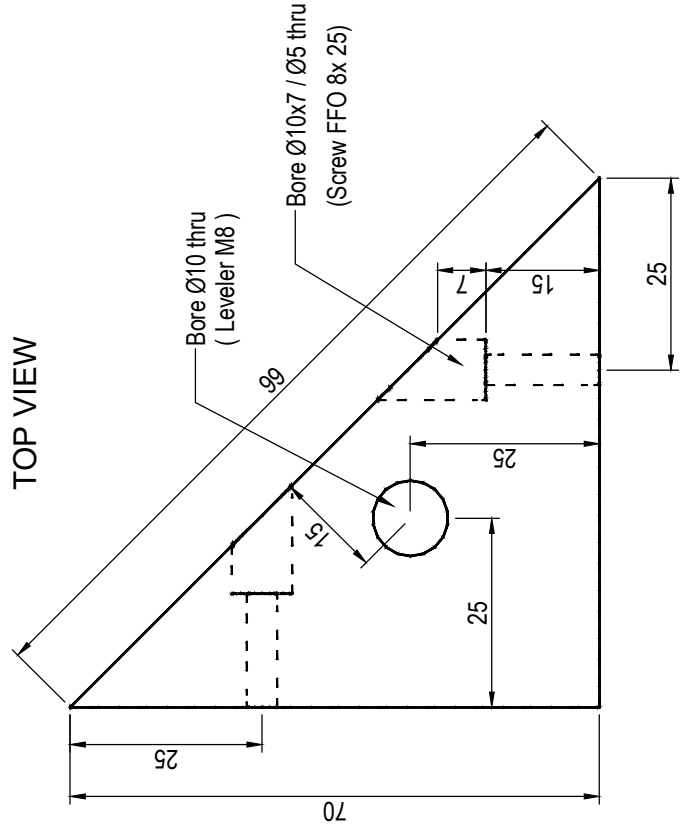


ISOMETRIC

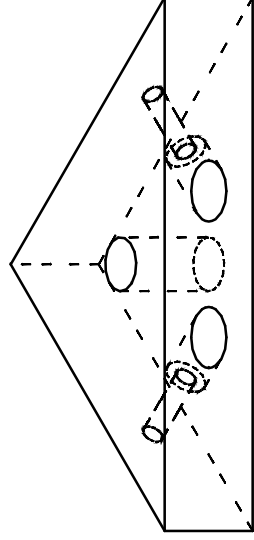
NO	RUNNING MACHINE	DATE	OPERATOR	LEADER MACHINE	QC MACHINE	REMARK
1	RIP SAW	APPROVED <i>By Michael Ogle at 4:07 pm, Aug 25, 2022</i>				
2	CUT OFF SAW					
3	SANDER					
4	DOWEL BORE					
5						

SKU#	SKU description	Drawn by	Released date	Length	Width	Thick	Qty	Remark
TRS-001AS	ARMADIO BELLO	Widi	20/08/2022					
Part #	Part description	Material	Revision date	Rough				
1.6	BOTTOM - CORNER	WOOD		Finish	100	50	20	4

TOP VIEW



FRONT VIEW



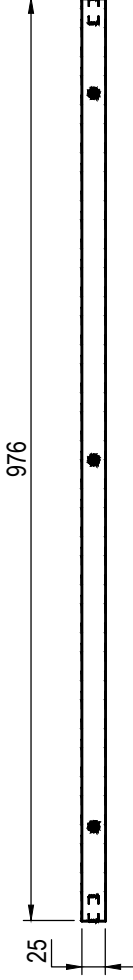
NO	RUNNING MACHINE	DATE	OPERATOR	LEADER MACHINE	QC MACHINE	REMARK
1	RIP SAW					
2	CUT OFF SAW					
3	SANDER					
4	DOWEL BORE					
5						

APPROVED

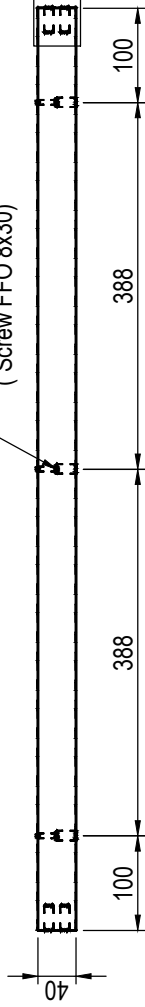
By Michael Ogle at 4:07 pm, Aug 25, 2022

SKU #	SKU description	Drawn by	Released date	Length	Width	Thick	Qty	Remark
TRS-001AS	ARMADIO BELLO	Widi	20/08/2022	996	45	30	2	
Part #	Part description	Material	Revision date	Rough				
1.5	BOTTOM - BRACE	WOOD		Finish	40	25	2	

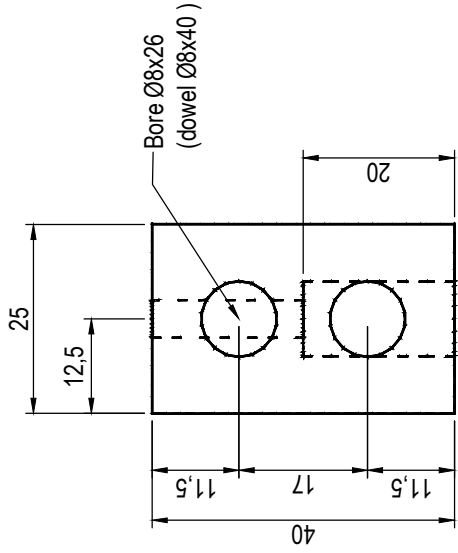
TOP VIEW



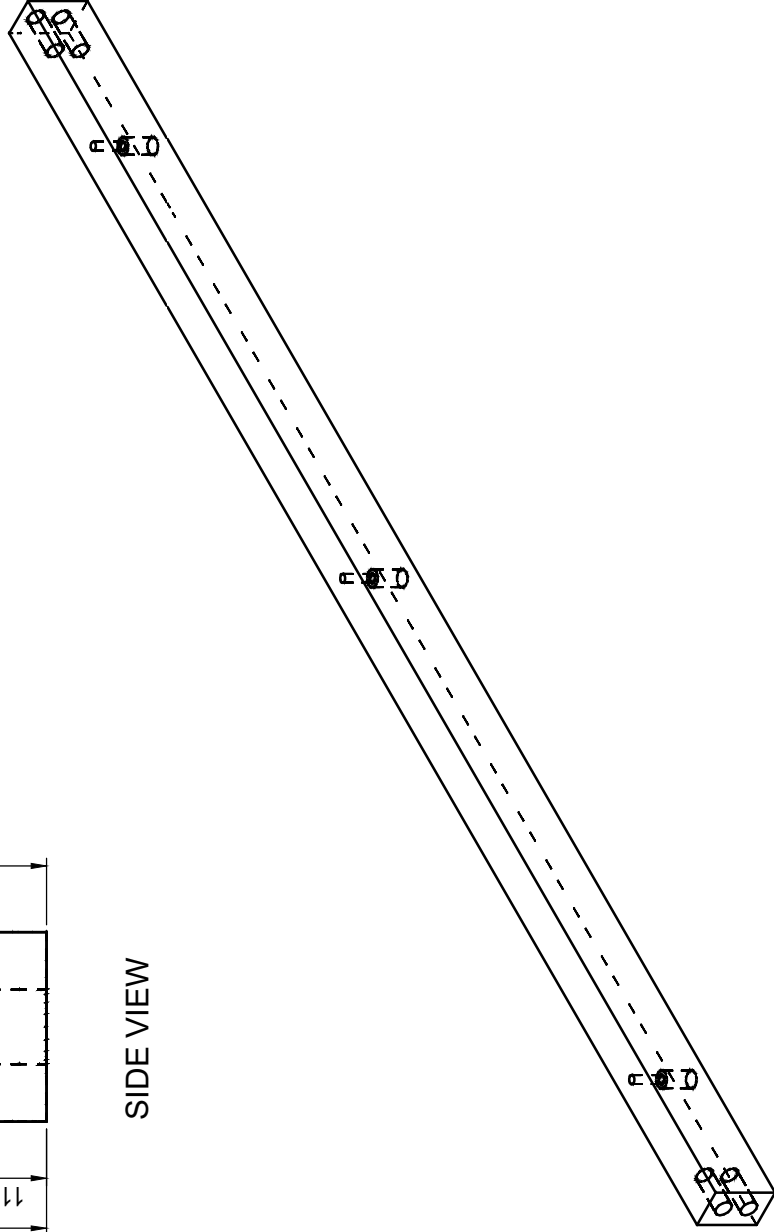
Bore $\varnothing 10 \times 20$, Bore $\varnothing 5$ thru
(Screw FFO 8x30)



FRONT VIEW



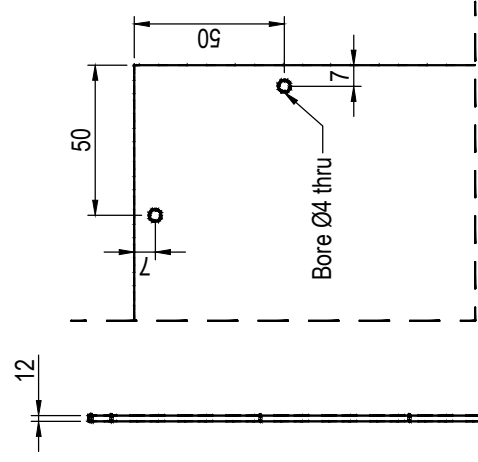
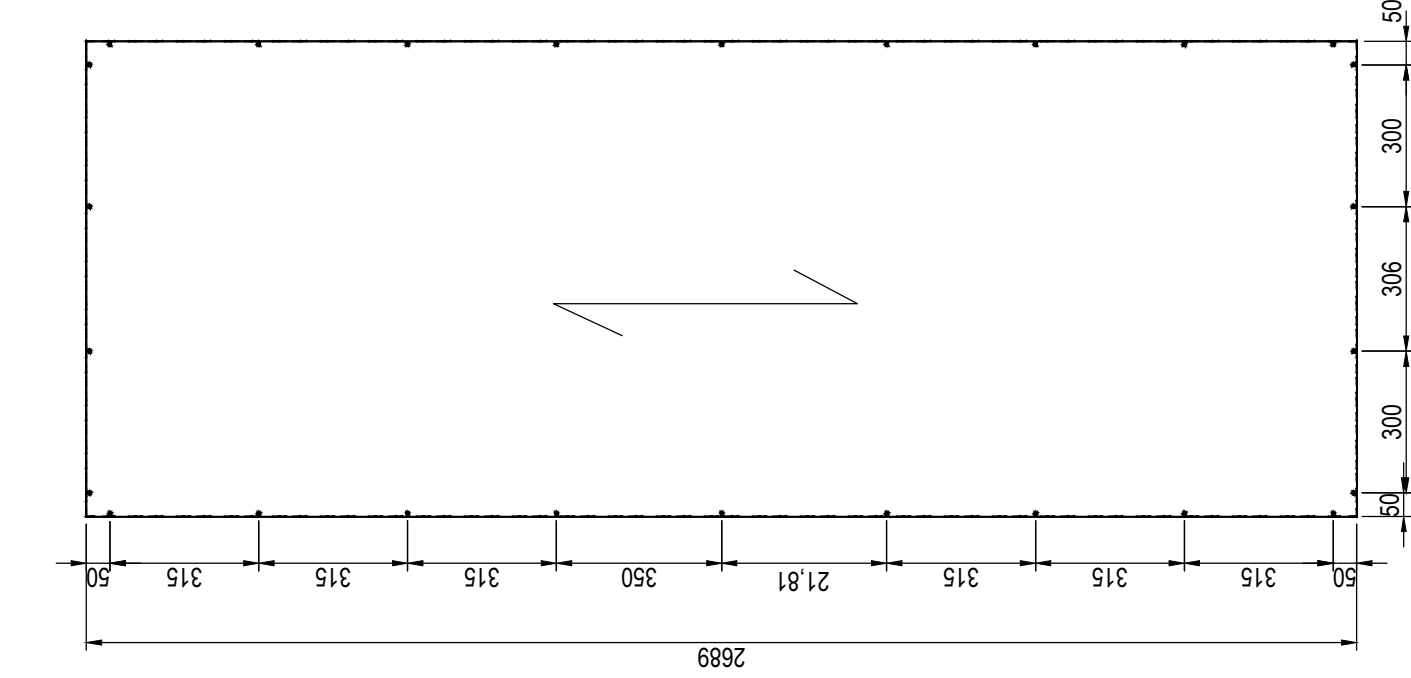
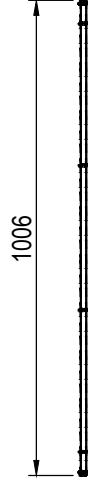
SIDE VIEW



NO	RUNNING MACHINE	DATE	OPERATOR	LEADER MACHINE	QC MACHINE	REMARK
1	PANEL SAW	APPROVED <i>By Michael Ogle at 4:07 pm, Aug 25, 2022</i>				
2	DOWEL BORE					
3	WBS / SANDER					
4						
5						

SKU #	SKU description	Drawn by	Released date	Length	Width	Thick	Qty	Remark
TRS-001AS	ARMADIO BELLO	Widi	20/08/2022					
Part #	Part description	Material	Revision date	Rough				
1.4	BACK PANEL	PLYWOOD		Finish	1006	12	1	VENEER 1 face

TOP VIEW



FRONT VIEW

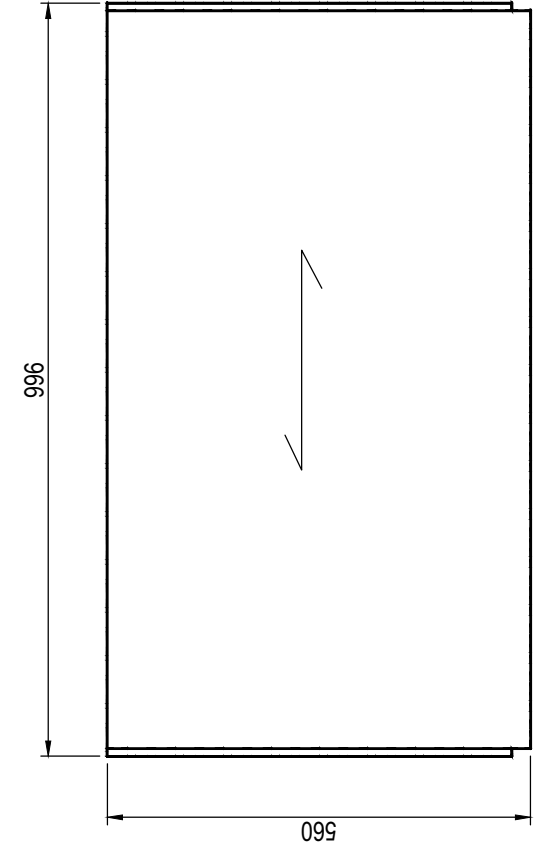
SIDE VIEW

NO	RUNNING MACHINE	DATE	OPERATOR	LEADER MACHINE	QC MACHINE	REMARK
1	PANEL SAW					
2	SPINDLE SHAPER					
3	WBS / SANDER					
4						
5						

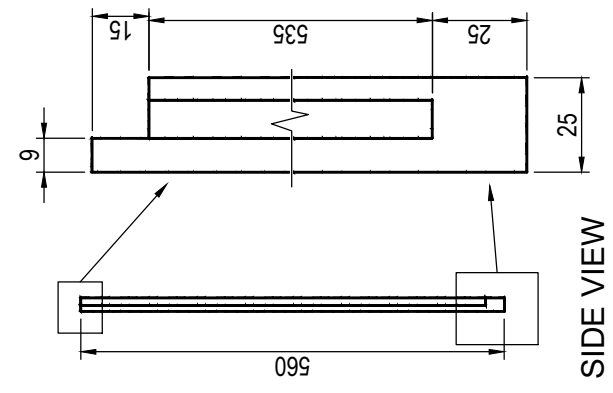
APPROVED
 By Michael Ogle at 4:07 pm, Aug 25, 2022

SKU #	SKU description	Drawn by	Released date	Length	Width	Thick	Qty	Remark
TRS-001AS	ARMADIO BELLO	Widi	20/08/2022					
Part #	Part description	Material	Revision date	Rough	Finish			
1.3	BOTTOM - PANEL	PLYWOOD		996	560	18	1	VENEER 1 FACE

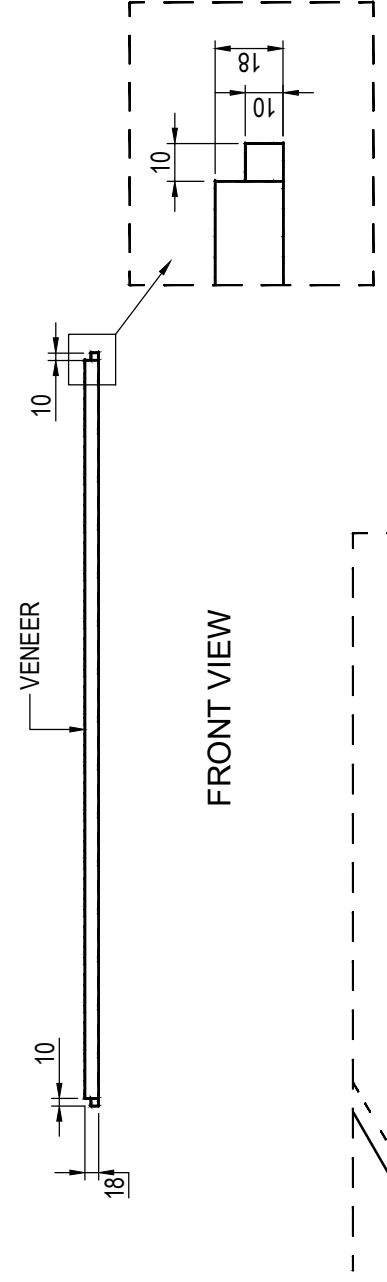
TOP VIEW



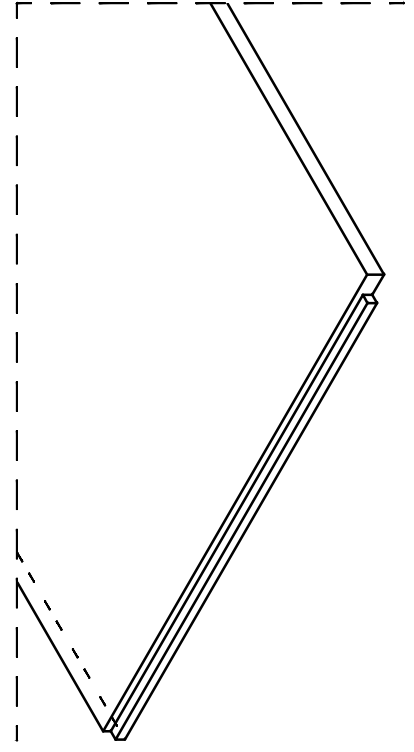
SIDE VIEW



FRONT VIEW



ISOMETRIC

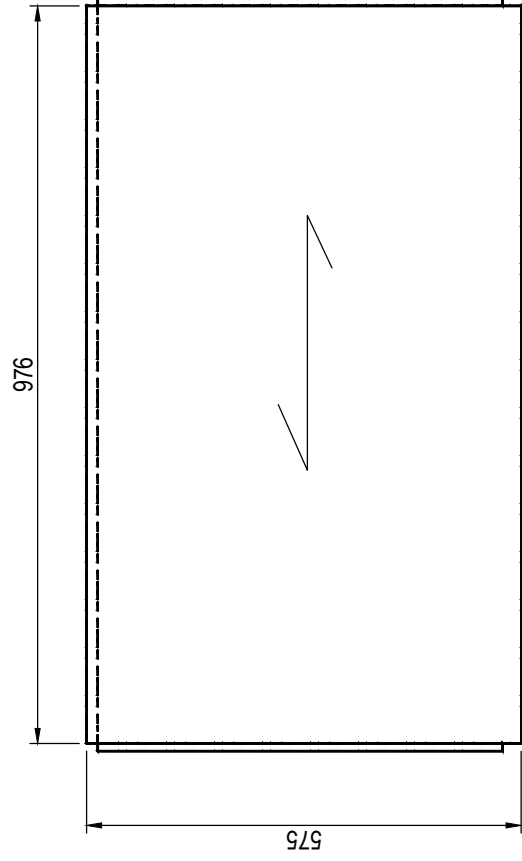


NO	RUNNING MACHINE	DATE	OPERATOR	LEADER MACHINE	QC MACHINE	REMARK
1	PANEL SAW					
2	SPINDLE SHAPER					
3	WBS / SANDER					
4						
5						

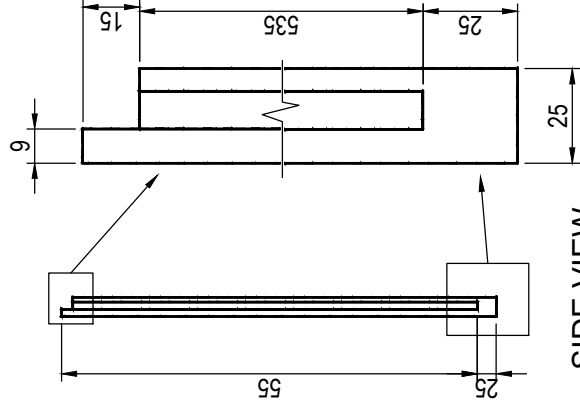
APPROVED
By Michael Ogle at 4:07 pm, Aug 25, 2022

SKU #	SKU description	Drawn by	Released date	Length	Width	Thick	Qty	Remark
TRS-001AS	ARMADIO BELLO	Widi	20/08/2022					
Part #	Part description	Material	Revision date	Rough	Finish			
1.2	TOP- PANEL	PLYWOOD		996	575	25	1	VENEER 2 FACE

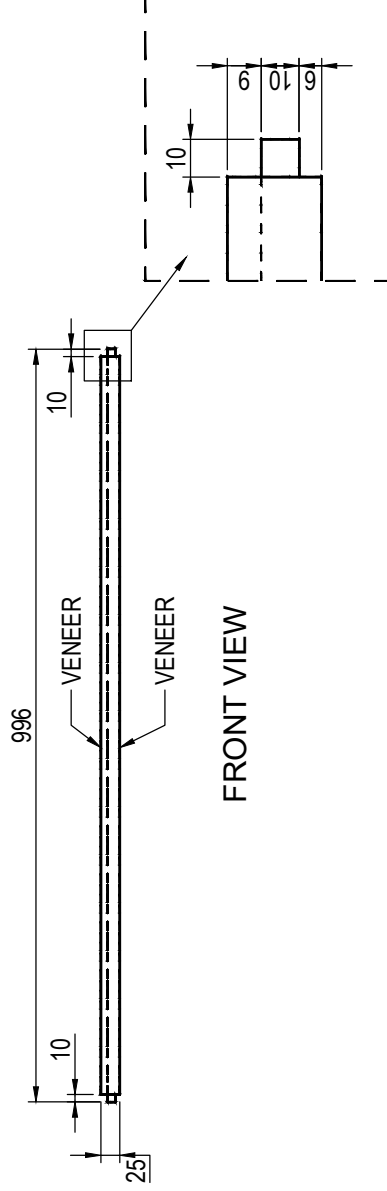
TOP VIEW



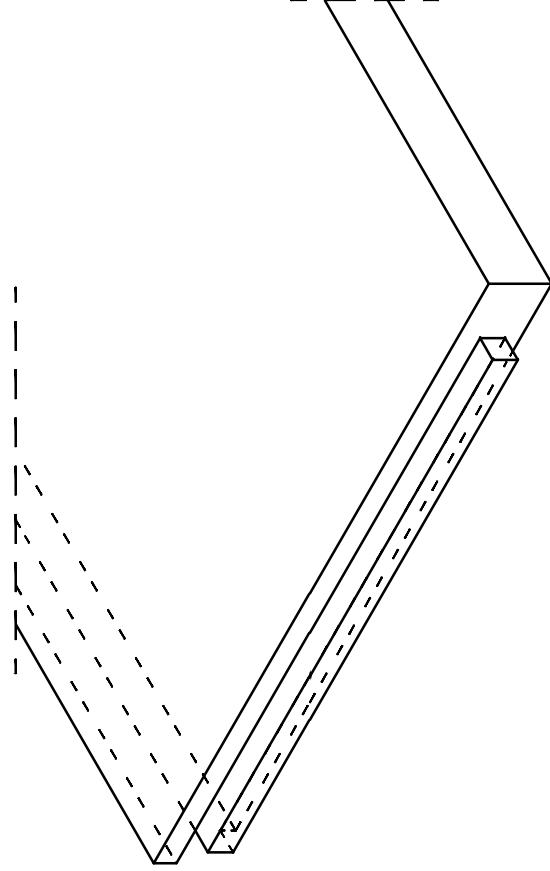
SIDE VIEW



FRONT VIEW



ISOMETRIC



NO	RUNNING MACHINE	DATE	OPERATOR	LEADER MACHINE	QC MACHINE	REMARK
1	PANEL SAW					
2	SPINDLE SHAPER					
3	DOWEL BORE					
4	WBS / SANDER					
5						

APPROVED
 By Michael Ogle at 4:07 pm, Aug 25, 2022

SKU #	SKU description	Drawn by	Released date	Length	Width	Thick	Qty	Remark
TRS-001AS	ARMADIO BELLO	Widi	20/08/2022					
Part #	Part description	Material	Revision date	Rough	Finish			
1.1	SIDE -PANEL	PLYWOOD				25	2	VENEER 2 FACE

MAKE RIGHT AND LEFT

