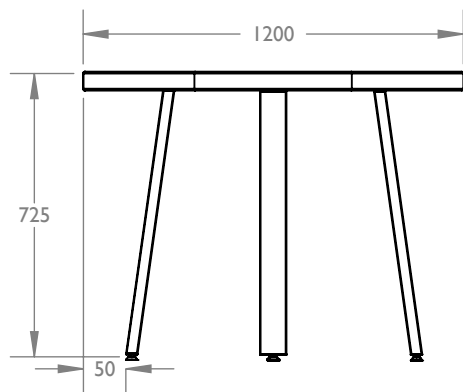
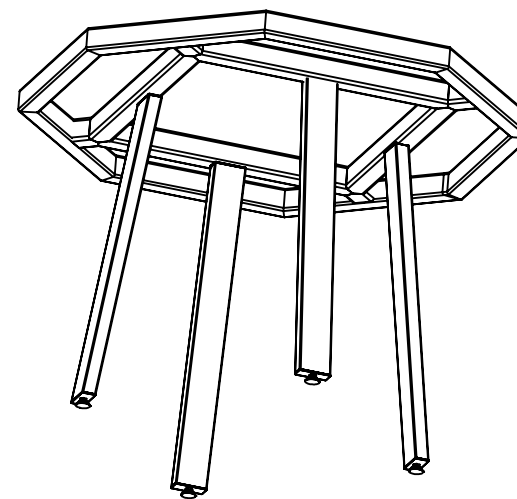
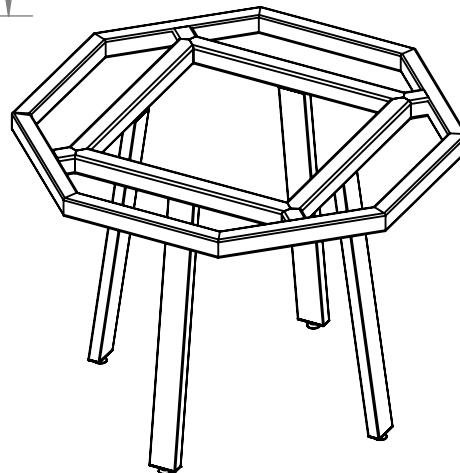
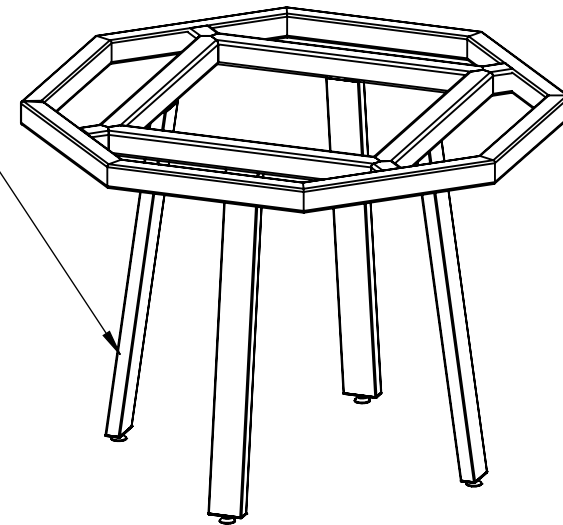


TOP VIEW



FRONT VIEW

BASE WELD DIRECTLY TO CUSTOM BEAM



PRODUCT SPECIFICATION :		FINISHING :
A	ORI A SOLO BASE 725H	WHITE
TOTAL SETS: I		PERSPECTIVE VIEW ALL DIMENSION IS IN MM



MATIC OFFICE SYSTEM SDN BHD (547300-D)
45E-2A, (TINGKAT 2) BANGUNAN BANGSARIA
Jalan Maarof, Bangsar Baru, Bangsar
59000 Kuala Lumpur
t. +60322012045 f. +60322016024
urf. www.matic.com.my

CLIENT'S CONFIRMATION & APPROVAL

COMPANY : CLICK N RAPPORT

REPRESENTATIVE NAME : JASMINE

DATE : 29.09.2022

SIGNATURE & COMPANY STAMP

PROJECT INFORMATION :

DRAWING NO: 005/20/R0

FURNITURE TYPE : ORI A BASE-DETAILED DRAWING

DRAWING TYPE : GF - ITEM 5

QUOTATION NO : M00489-22 R5

DRAWING INFORMATION :

DRAWN BY : FARAH

CHECKED BY: ALVIN/SEECAY

B.D. NAME : JEFT

PROJECT ID : MT20-P0169