

RIGHT DIRECTION

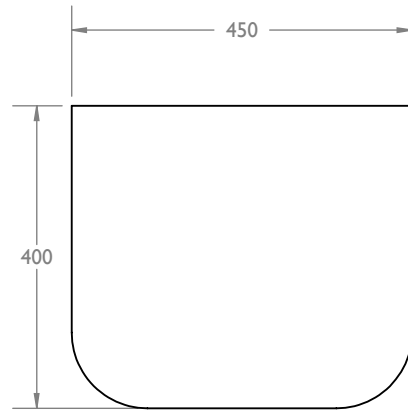
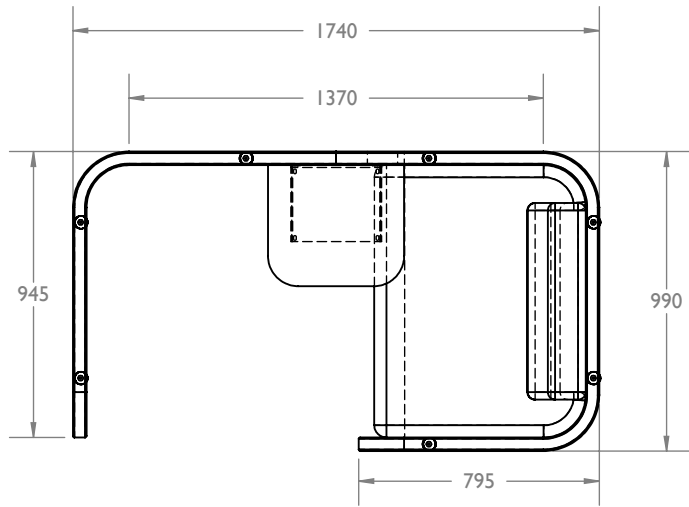
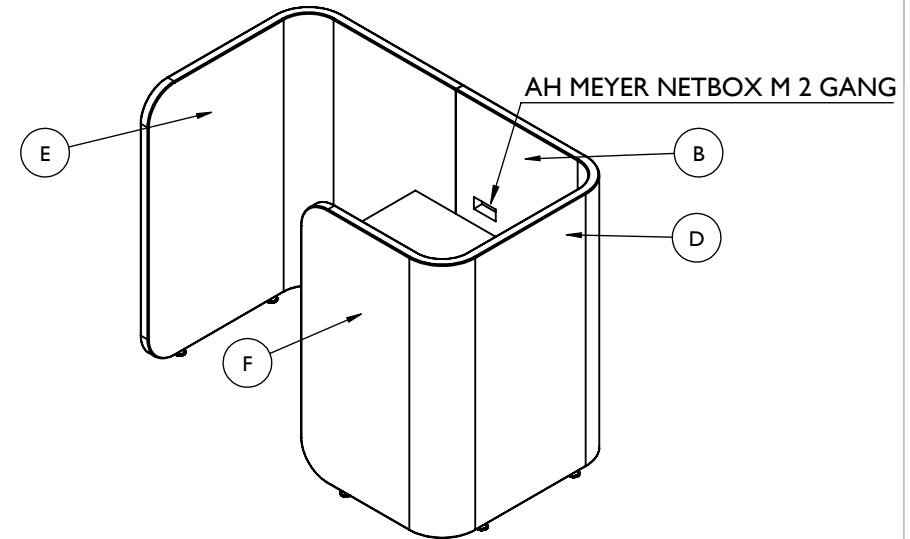
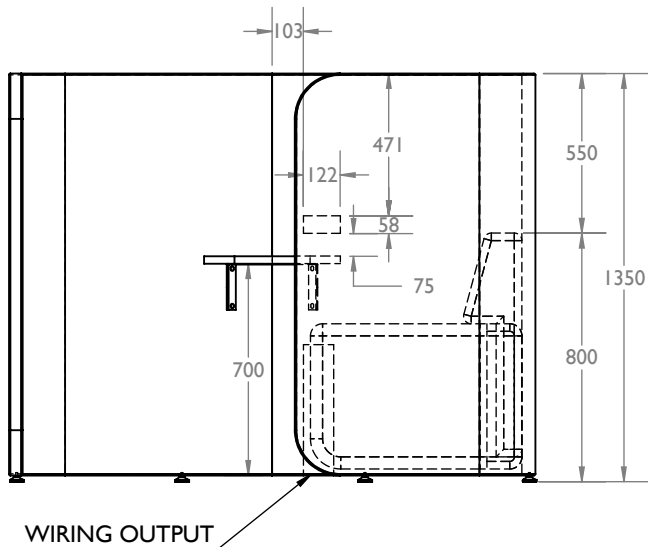


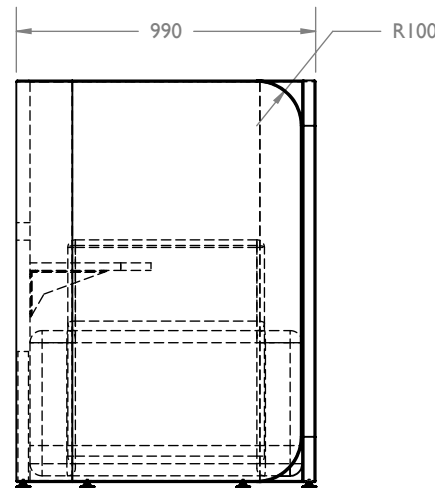
TABLE TOP



INTERNAL COLOR : 7100BL TURQUOISE
EXTERNAL COLOR : 6600BL ICE BERG



FRONT VIEW



SIDE VIEW

PRODUCTSPECIFICATION:		QTY:	FINISHING:
A	CAPSULE SOFA - 900L X 700D X 800H	1	6100YE - GOLD
B	CAPSULE PANEL - 1370L X 1350H	1	
C	CAPSULE CORNER PANEL - R510 X 1350H	3	
D	CAPSULE END PANEL CW ROUND CORNER - 990L X 1350H	1	
E	CAPSULE END PANEL CW ROUND CORNER - 945L X 1350H	1	
F	CAPSULE END PANEL CW ROUND CORNER - 795L X 1350H	1	
G	TABLE TOP 450L X 400D	1	MAPLE
H	CANTILEVER BRACKET	1	
TOTAL SET: 2		PERSPECTIVE VIEW ALL DIMENSION IS IN MM	



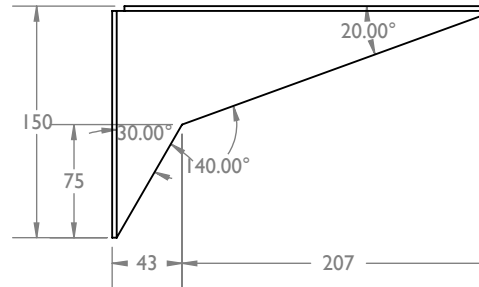
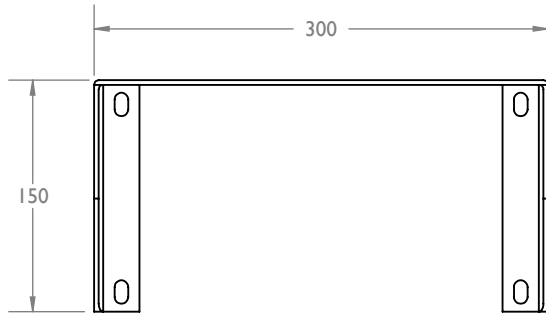
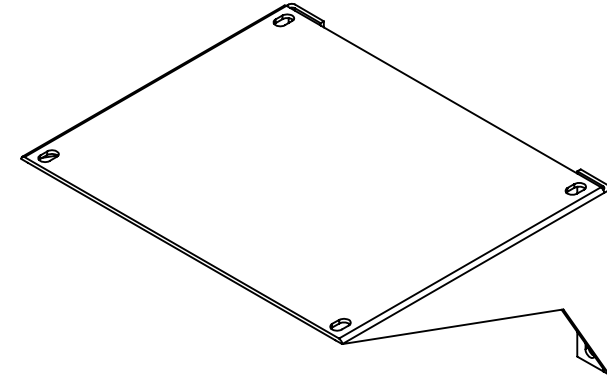
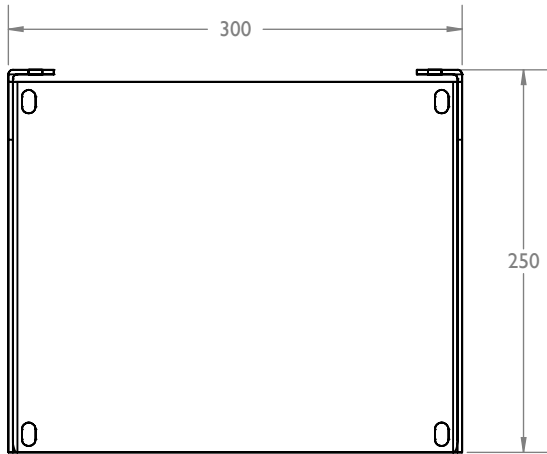
MATIC OFFICE SYSTEM SDN BHD (547300-D)
45E-2A, (TINGKAT 2) BANGUNAN BANGSARIA
Jalan Maarof, Bangsar Baru, Bangsar
59000 Kuala Lumpur
t. +60322012045 f. +60322016024
urf. www.matic.com.my

CLIENT'S CONFIRMATION & APPROVAL
OSCA INTERIORS ARCHITECTURAL
COMPANY : ASSOCIATES SDN BHD
REPRESENTATIVE NAME : HOR YEE
DATE : 07.02.2023

SIGNATURE & COMPANY STAMP

PROJECT INFORMATION :
DRAWING NO:001/22/R0
FURNITURE TYPE : PRIVATE LOUNGE POD
DRAWING TYPE : ITEM 1
QUOTATION NO : M00896-22

DRAWING INFORMATION :
DRAWN BY : FARAH
CHECKED BY: ALVIN/SEECAY
B.D. NAME : JEFT
PROJECT ID : MT23-P0030



PRODUCT SPECIFICATION :		QTY:	FINISHING:
A	CUSTOM CANTILEVER BRACKET 300L X 250D X 150H	1	
TOTAL SETS: 2			PERSPECTIVE VIEW ALL DIMENSION IS IN MM



MATIC OFFICE SYSTEM SDN BHD (547300-D)
 45E-2A, (TINGKAT 2) BANGUNAN BANGSARIA
 Jalan Maarof, Bangsar Baru, Bangsar
 59000 Kuala Lumpur
 t. +60322012045 f. +60322016024
 urf. www.matic.com.my

CLIENT'S CONFIRMATION & APPROVAL

COMPANY : OSCA INTERIORS ARCHITECTURAL ASSOCIATES SDN BHD

REPRESENTATIVE NAME : HOR YEE

DATE : 07.02.2023

SIGNATURE & COMPANY STAMP

PROJECT INFORMATION :

DRAWING NO:001/22/R0

FURNITURE TYPE : CANTILEVER BRACKET

DRAWING TYPE : -

QUOTATION NO : M00896-22

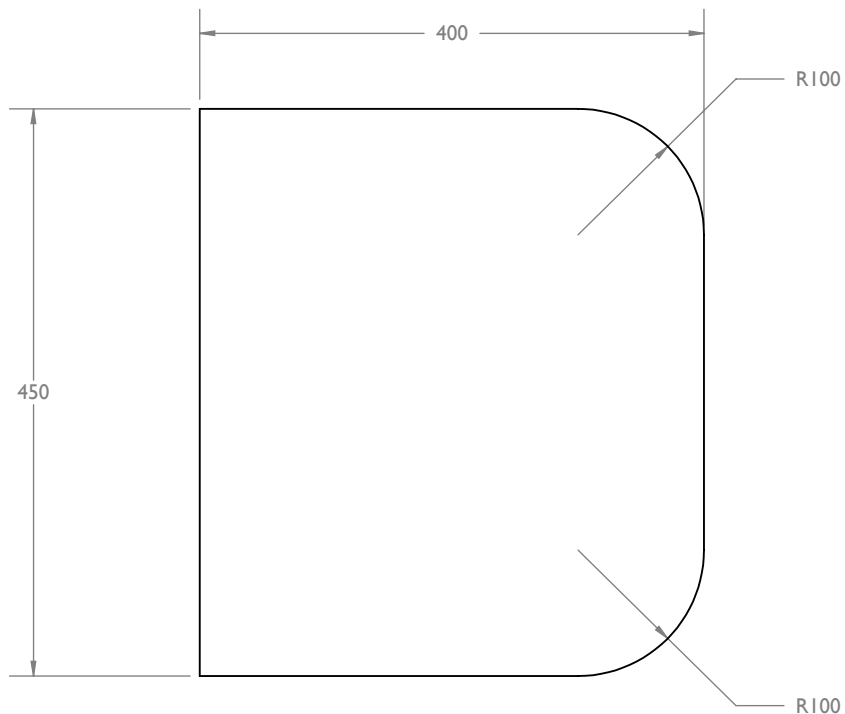
DRAWING INFORMATION :

DRAWN BY : FARAH

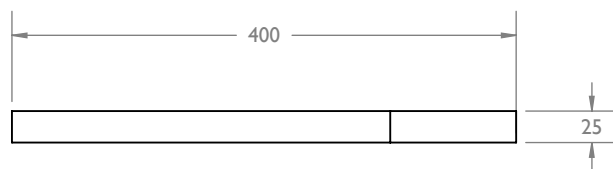
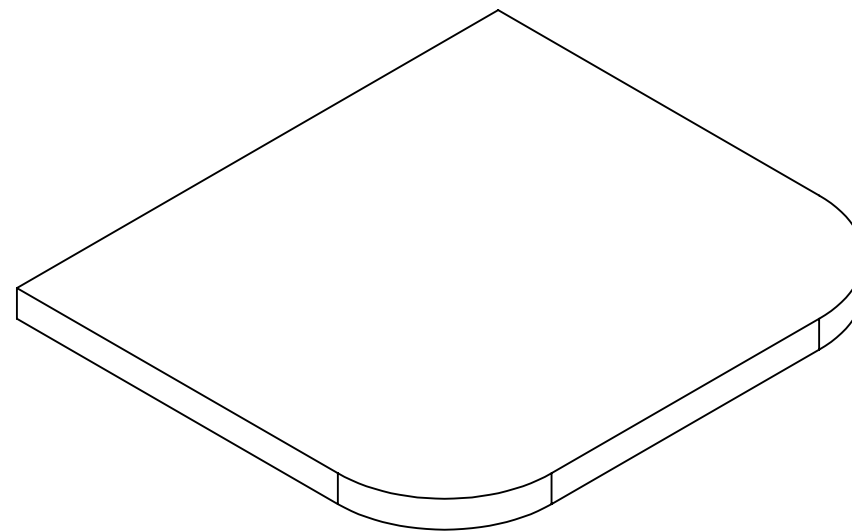
CHECKED BY: ALVIN/SEECAY

B.D. NAME : JEFT

PROJECT ID : MT23-P0030



TOP VIEW



FRONT VIEW

PRODUCT SPECIFICATION :		QTY:	FINISHING:
A	BULLET TABLE TOP 450L X 400D	1	MAPLE
TOTAL SETS: 2			PERSPECTIVE VIEW ALL DIMENSION IS IN MM



MATIC OFFICE SYSTEM SDN BHD (547300-D)
 45E-2A, (TINGKAT 2) BANGUNAN BANGSARIA
 Jalan Maarof, Bangsar Baru, Bangsar
 59000 Kuala Lumpur
 t. +60322012045 f. +60322016024
 urf. www.matic.com.my

CLIENT'S CONFIRMATION & APPROVAL
 COMPANY : OSCA INTERIORS ARCHITECTURAL
 ASSOCIATES SDN BHD
 REPRESENTATIVE NAME : HOR YEE
 DATE : 07.02.2023

SIGNATURE & COMPANY STAMP

PROJECT INFORMATION :
 DRAWING NO:001/22/R0
 FURNITURE TYPE : TABLE TOP
 DRAWING TYPE : -
 QUOTATION NO : M00896-22

DRAWING INFORMATION :
 DRAWN BY : FARAH
 CHECKED BY: ALVIN/SEECAY
 B.D. NAME : JEFT
 PROJECT ID : MT23-P0030