

WIRING
OUTPUT
FRONT VIEW

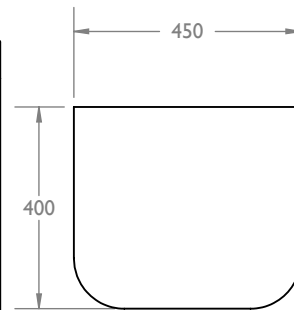
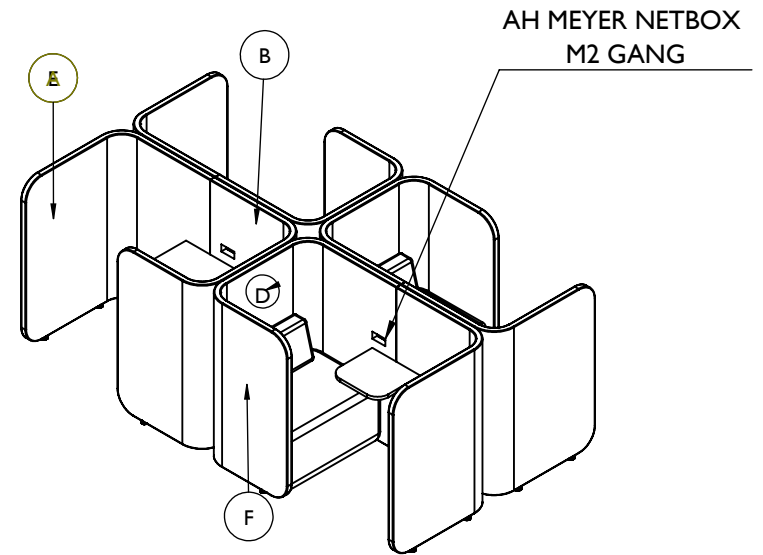
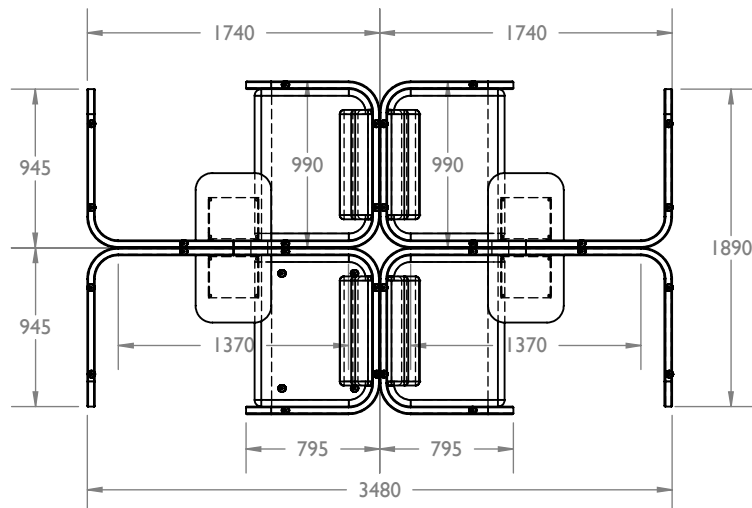


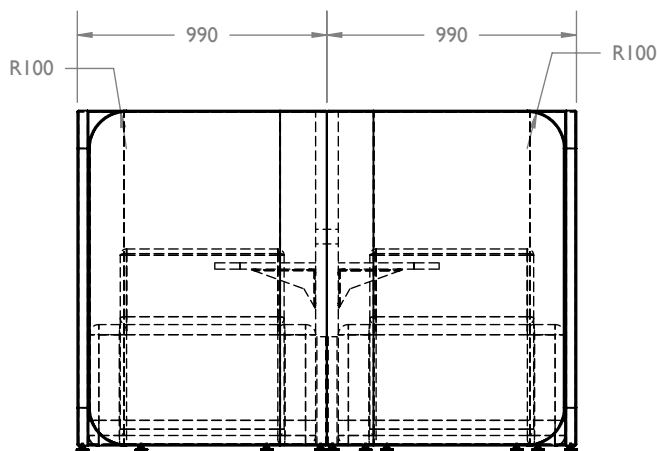
TABLE TOP



INTERNAL COLOR : 7100BL TURQUOISE
EXTERNAL COLOR : 6600BL ICE BERG



TOP VIEW



SIDE VIEW

PRODUCTSPECIFICATION:		QTY:	FINISHING:
A	CAPSULE SOFA - 900L X 700D X 800H	1	6100YE - GOLD
B	CAPSULE PANEL - 1370L X 1350H	1	
C	CAPSULE CORNER PANEL - R510 X 1350H	3	
D	CAPSULE END PANEL CW ROUND CORNER - 990L X 1350H	1	
E	CAPSULE END PANEL CW ROUND CORNER - 945L X 1350H	1	
F	CAPSULE END PANEL CW ROUND CORNER - 795L X 1350H	1	
G	TABLE TOP 450L X 400D	1	MAPLE
H	CANTILEVER BRACKET	1	
TOTAL SET: 1		PERSPECTIVE VIEW ALL DIMENSION IS IN MM	



MATIC OFFICE SYSTEM SDN BHD (547300-D)
45E-2A, (TINGKAT 2) BANGUNAN BANGSARIA
Jalan Maarof, Bangsar Baru, Bangsar
59000 Kuala Lumpur
t. +60322012045 f. +60322016024
urf. www.matic.com.my

CLIENT'S CONFIRMATION & APPROVAL
OSCA INTERIORS ARCHITECTURAL
COMPANY : ASSOCIATES SDN BHD
REPRESENTATIVE NAME : HOR YEE
DATE : 07.02.2023

SIGNATURE & COMPANY STAMP

PROJECT INFORMATION :

DRAWING NO:001/22/R0
FURNITURE TYPE : PRIVATE LOUNGE POD
DRAWING TYPE : ITEM 1
QUOTATION NO : M00896-22

DRAWING INFORMATION :

DRAWN BY : FARAH
CHECKED BY: ALVIN/SEECAY
B.D. NAME : JEFT
PROJECT ID : MT23-P0030