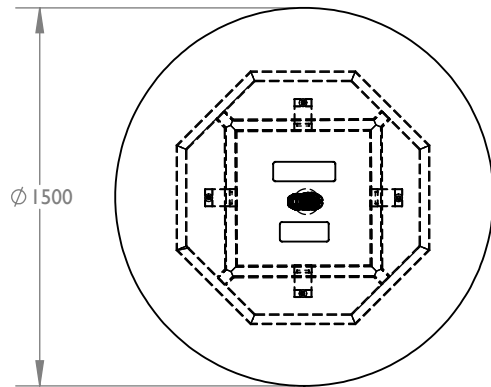
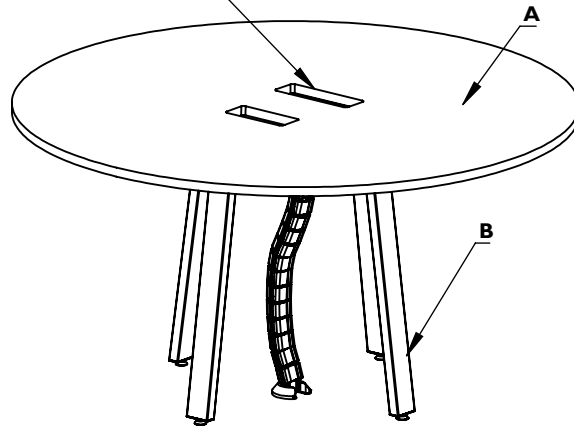
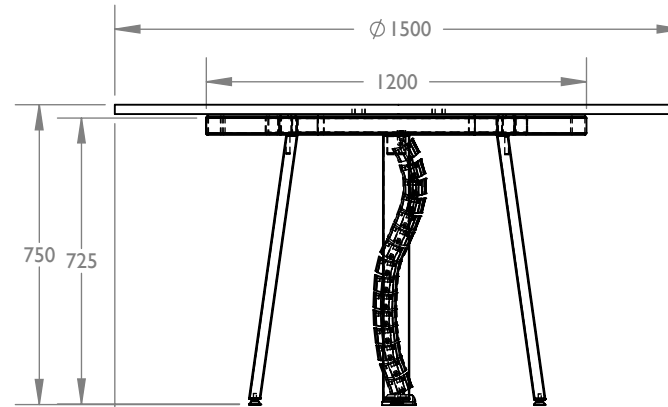


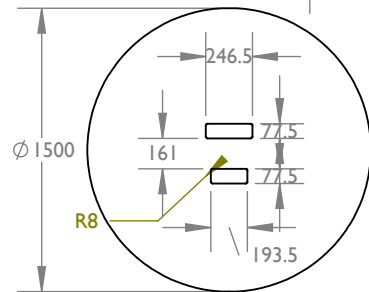
**AH MEYER NETBOX LINE CUTOUT**



**TOP VIEW**



**FRONT VIEW**



**AH MEYER NETBOX LINE  
4 & 3 OUTLET MODULES  
CUTOUT**

PRODUCT SPECIFICATION:		QTY:	FINISHING:
A	ROUND WORKTOP 1500D X 750H C/W HATCH HOLE	1	CELTIC ASH 0595
B	ORI A SOLO BASE 725H	4	WHITE
C	CUSTOM METAL BEAM (50X25) 1200L X 1200D	1	
D	PVC SNAKE CABLE	1	
E	AH MEYER NETBOX LINE 4 OUTLET MODULES	1	
F	AH MEYER NETBOX LINE 3 OUTLET MODULES	1	
G			
H			
I			
J			
K			
L			
M			
N			
<b>TOTAL SETS: I</b>			PERSPECTIVE VIEW ALL DIMENSION IS IN MM



**MATIC OFFICE SYSTEM SDN BHD (547300-D)**  
45E-2A, (TINGKAT 2) BANGUNAN BANGSARIA  
Jalan Maarof, Bangsar Baru, Bangsar  
59000 Kuala Lumpur  
t. +60322012045 f. +60322016024  
urf. www.matic.com.my

**CLIENT'S CONFIRMATION & APPROVAL**

COMPANY : CLICK N RAPPORT

REPRESENTATIVE NAME : JASMINE

DATE : 29.09.2022

SIGNATURE & COMPANY STAMP

**PROJECT INFORMATION :**

DRAWING NO: 005/20/R0

FURNITURE TYPE : ORI A ROUND TABLE

DRAWING TYPE : GF - ITEM 5

QUOTATION NO : M00489-22 R5

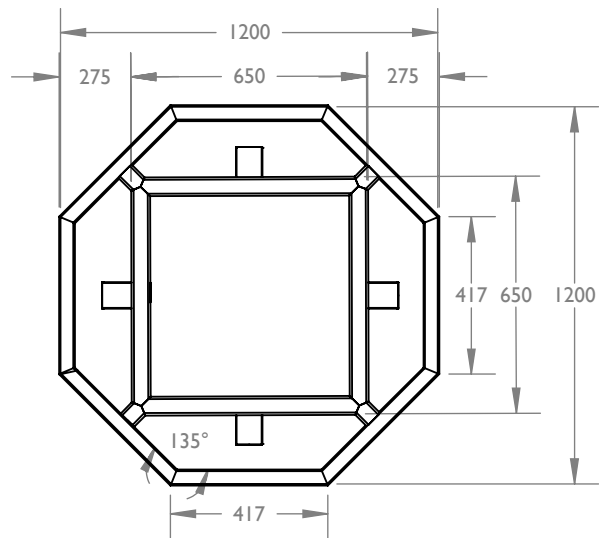
**DRAWING INFORMATION :**

DRAWN BY : FARAH

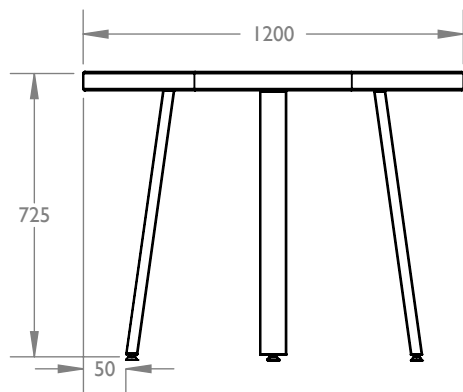
CHECKED BY: ALVIN/SEECAY

B.D. NAME : JEFT

PROJECT ID : MT20-P0169

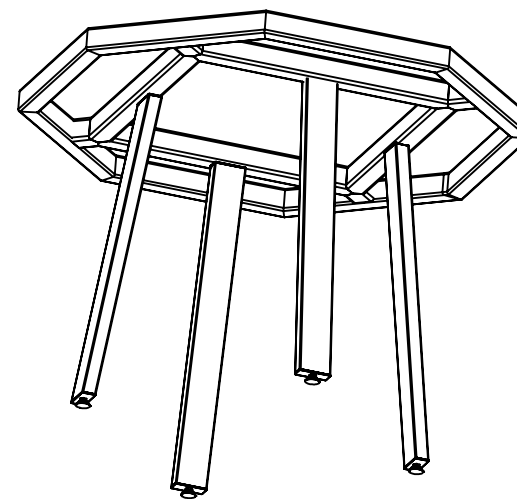
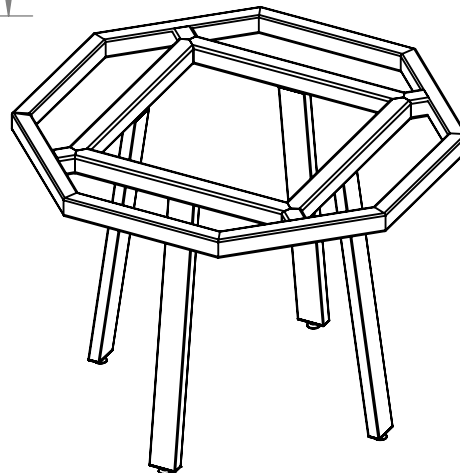
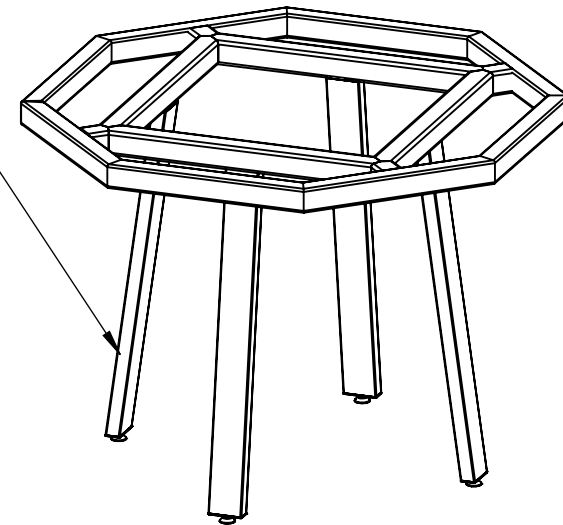


TOP VIEW



FRONT VIEW

BASE WELD DIRECTLY TO CUSTOM BEAM



PRODUCT SPECIFICATION :		FINISHING:
A	ORI A SOLO BASE 725H	WHITE
<b>TOTAL SETS: I</b>		PERSPECTIVE VIEW ALL DIMENSION IS IN MM



**MATIC OFFICE SYSTEM SDN BHD (547300-D)**  
 45E-2A, (TINGKAT 2) BANGUNAN BANGSARIA  
 Jalan Maarof, Bangsar Baru, Bangsar  
 59000 Kuala Lumpur  
 t. +60322012045 f. +60322016024  
 urf. www.matic.com.my

**CLIENT'S CONFIRMATION & APPROVAL**

COMPANY : CLICK N RAPPORT

REPRESENTATIVE NAME : JASMINE

DATE : 29.09.2022

SIGNATURE & COMPANY STAMP

**PROJECT INFORMATION :**

DRAWING NO: 005/20/R0

FURNITURE TYPE : ORI A BASE-DETAILED DRAWING

DRAWING TYPE : GF - ITEM 5

QUOTATION NO : M00489-22 R5

**DRAWING INFORMATION :**

DRAWN BY : FARAH

CHECKED BY: ALVIN/SEECAY

B.D. NAME : JEFT

PROJECT ID : MT20-P0169