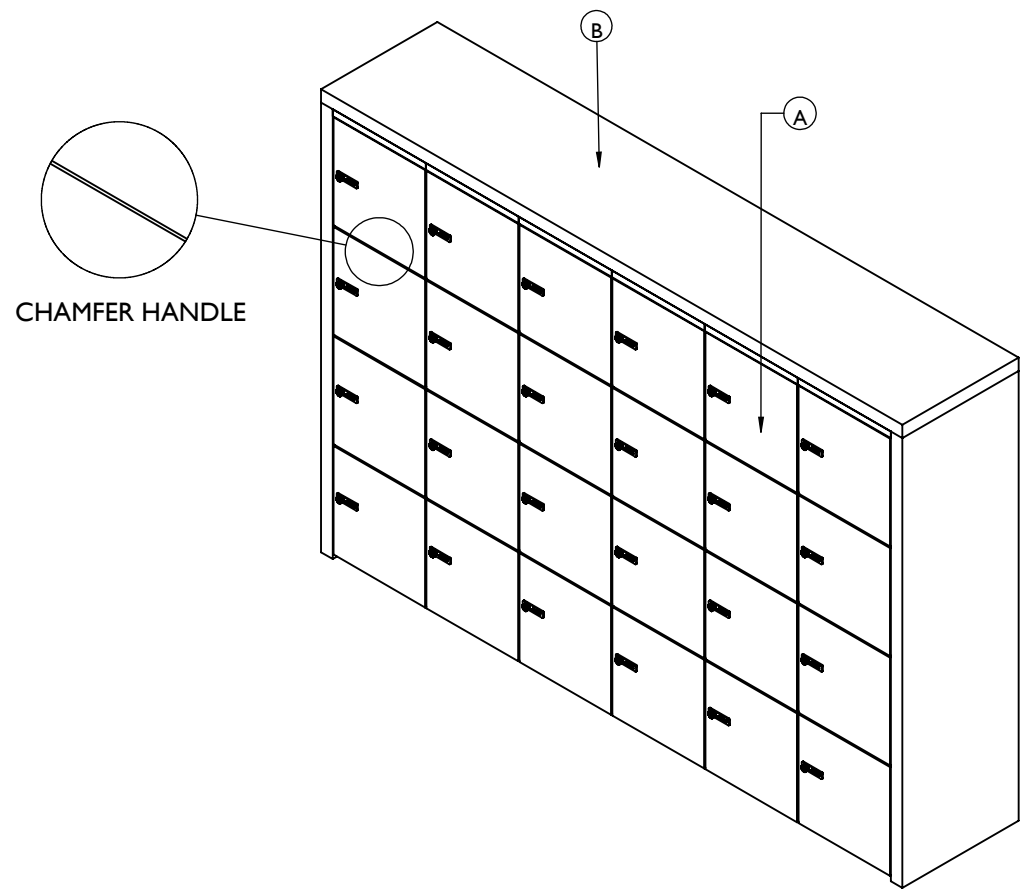
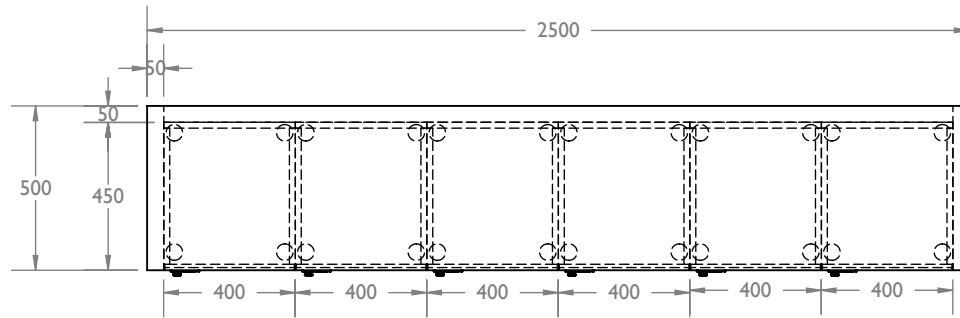


FRONT VIEW



CHAMFER HANDLE



TOP VIEW

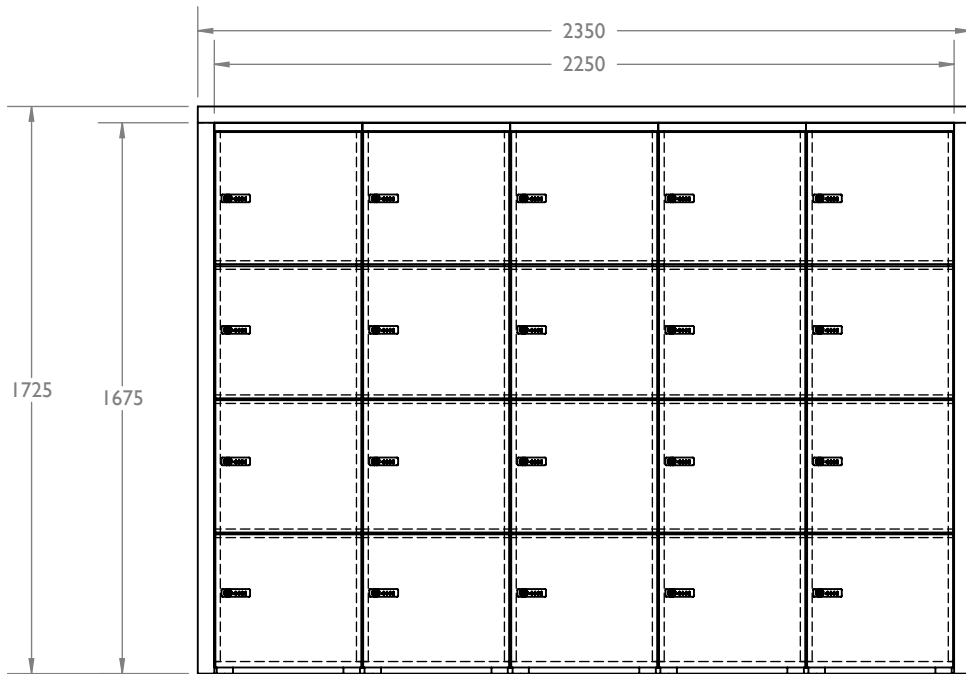
PRODUCT SPECIFICATION :		QTY:	FINISHING:
A	CUSTOM LOCKER C/W NUMERIC LOCK & CHAMFER HANDLE 400L X 450D X 1675H	6	FULL WHITE
B	EXTERNAL FRAME 2500L X 500D X 1725H X 50MM THK	1	RWD2317N / ELITE BEECH
TOTAL SETS: 1			PERSPECTIVE VIEW ALL DIMENSION IS IN MM

MATIC OFFICE SYSTEM SDN BHD (547300-D)
 45E-2A, (TINGKAT 2) BANGUNAN BANGSARIA
 Jalan Maarof, Bangsar Baru, Bangsar
 59000 Kuala Lumpur
 t. +60322012045 f. +60322016024
 urf. www.matic.com.my

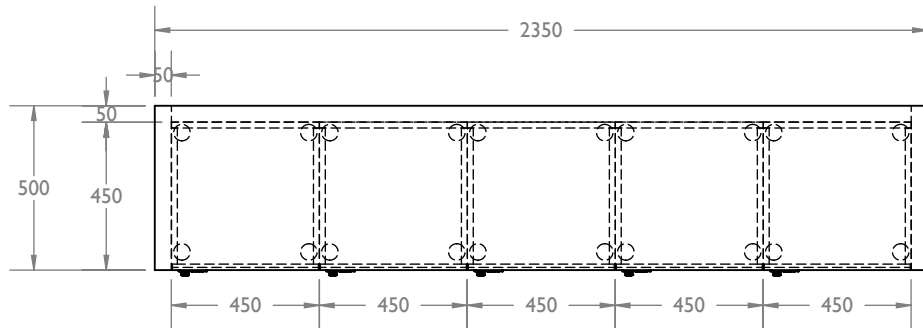
CLIENT'S CONFIRMATION & APPROVAL
 COMPANY : OSCA INTERIORS ARCHITECTURAL ASSOCIATES SDN BHD
 REPRESENTATIVE NAME : AIMAN
 DATE : 27.03.2023
 SIGNATURE & COMPANY STAMP

PROJECT INFORMATION :
 DRAWING NO:001/22/R0
 FURNITURE TYPE : CUSTOM LOCKER
 DRAWING TYPE : ITEM 1
 QUOTATION NO : M00188-23

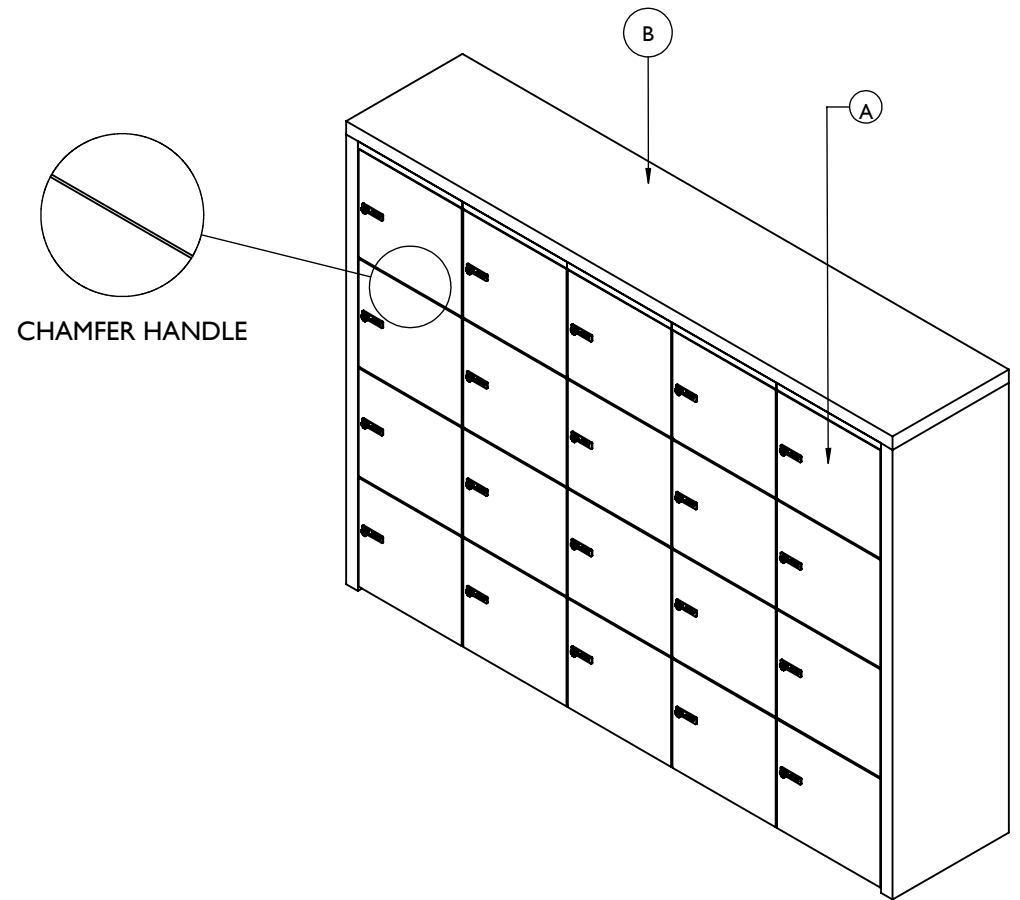
DRAWING INFORMATION :
 DRAWN BY : FARAH
 CHECKED BY: ALVIN
 B.D. NAME : JEFT
 PROJECT ID : MT23-P0074



FRONT VIEW



TOP VIEW



CHAMFER HANDLE

PRODUCT SPECIFICATION :		QTY:	FINISHING:
A	CUSTOM LOCKER C/W NUMERIC LOCK & CHAMFER HANDLE 450L X 450D X 1675H	5	FULL WHITE
B	EXTERNAL FRAME 2350L X 500D X 1725H X 50MM THK	1	RWD2317N / ELITE BEECH
TOTAL SETS: 1			PERSPECTIVE VIEW ALL DIMENSION IS IN MM



MATIC OFFICE SYSTEM SDN BHD (547300-D)
 45E-2A, (TINGKAT 2) BANGUNAN BANGSARIA
 Jalan Maarof, Bangsar Baru, Bangsar
 59000 Kuala Lumpur
 t. +60322012045 f. +60322016024
 urf. www.matic.com.my

CLIENT'S CONFIRMATION & APPROVAL

COMPANY : OSCA INTERIORS ARCHITECTURAL
 ASSOCIATES SDN BHD

REPRESENTATIVE NAME : AIMAN

DATE : 27.03.2023

SIGNATURE & COMPANY STAMP

PROJECT INFORMATION :

DRAWING NO:002/22/R0

FURNITURE TYPE : CUSTOM LOCKER

DRAWING TYPE : ITEM 2

QUOTATION NO : M00188-23

DRAWING INFORMATION :

DRAWN BY : FARAH

CHECKED BY: ALVIN

B.D. NAME : JEFT

PROJECT ID : MT23-P0074