

SPECIFICATIONS

MATERIALS/METHOD:

- 0: Existing precast concrete panel painted blue by client
- 1: 4" Deep, Non illuminated channel letters; painted surfaces and returns; blind stud mount to building facade
- 2: White painted 10" tall band. Painted on site

FONTS

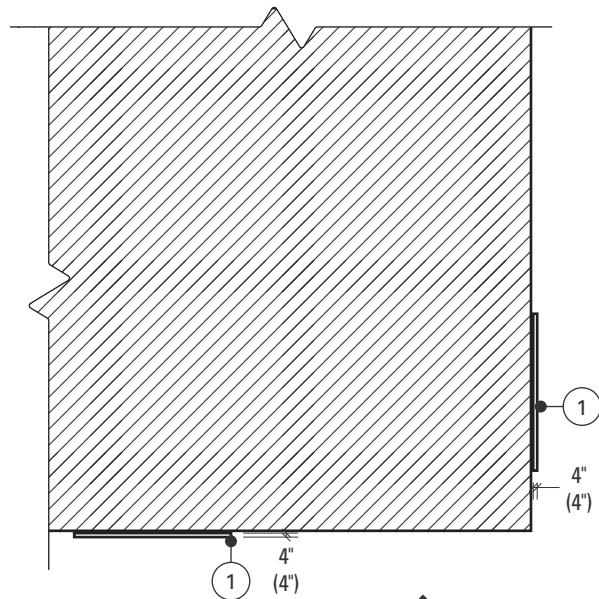
LOGO BY CLIENT

COLORS

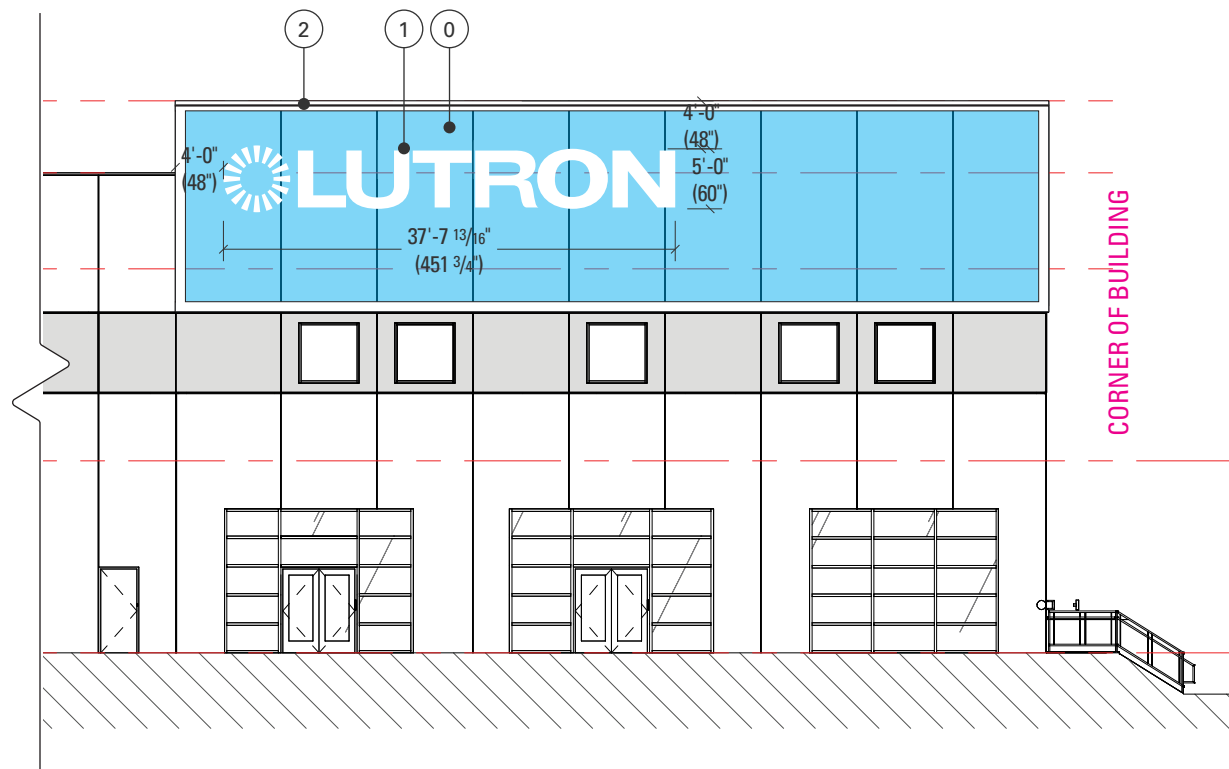
- 0: Blue paint by client; color to match Pantone Process Blue #0085CA
- 1: MAP; Satin White
- 2: WHITE; exterior grade concrete paint; painted on site

INSTALL NOTES

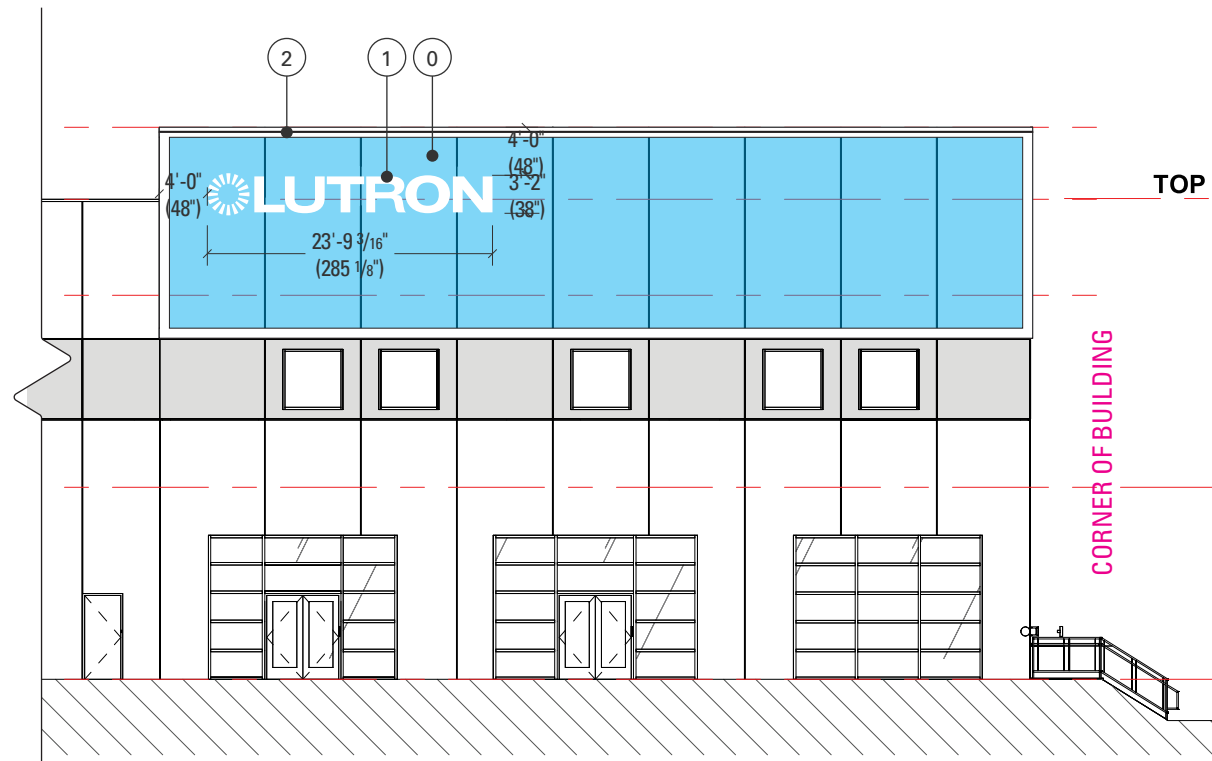
- Paint existing panel caps white. Paint 10" tall border around existing blue panels.
- blind stud mount channel letters to building facade w/ paper template



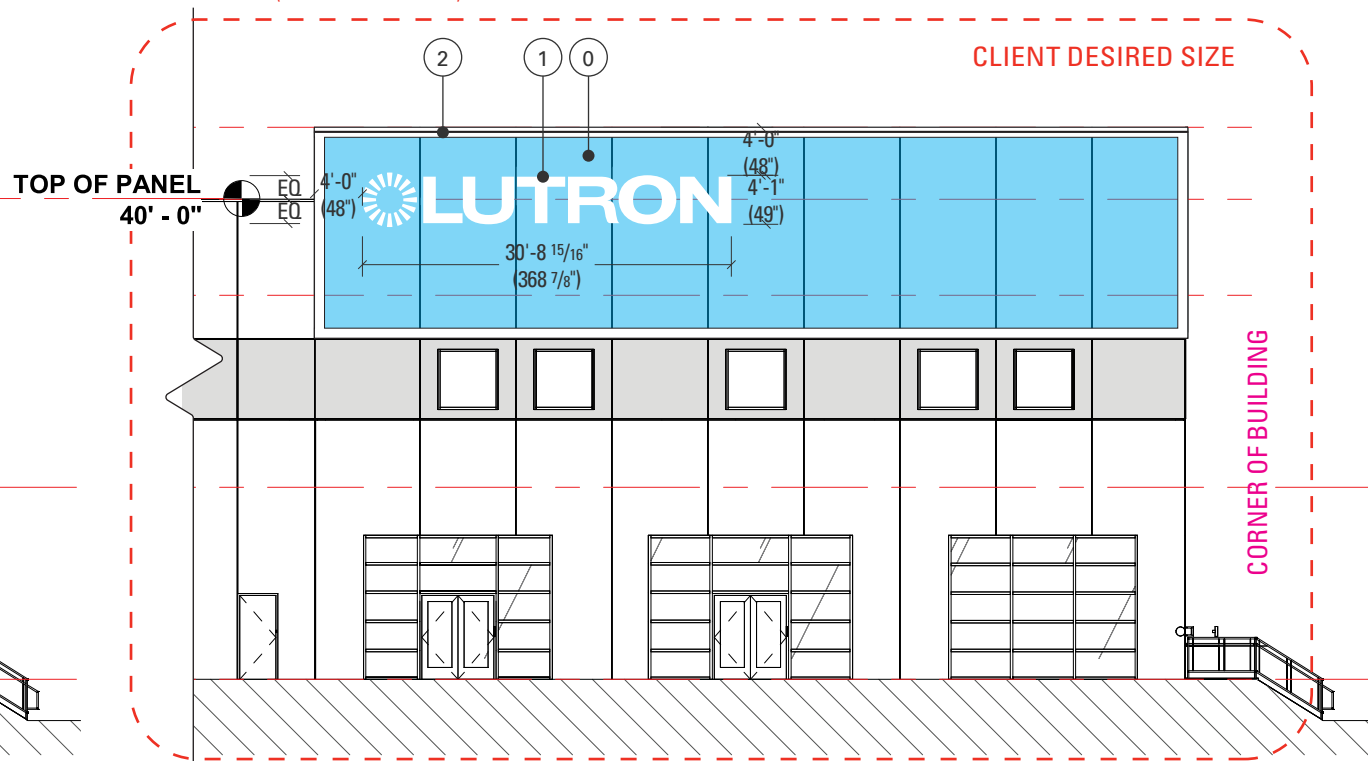
KEY PLAN
NTS



2 OPTION 2
60" LETTER CAP HEIGHT
(MAX CAP HEIGHT)



1 OPTION 1
38" LETTER CAP HEIGHT
(CUSTOMER PROVIDED SIZING)



3 OPTION 3
49" LETTER CAP HEIGHT
(MID RANGE CAP HEIGHT)