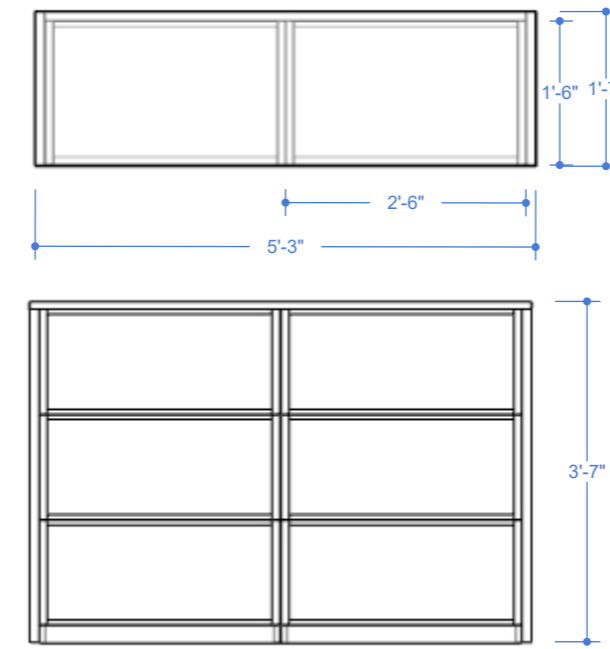
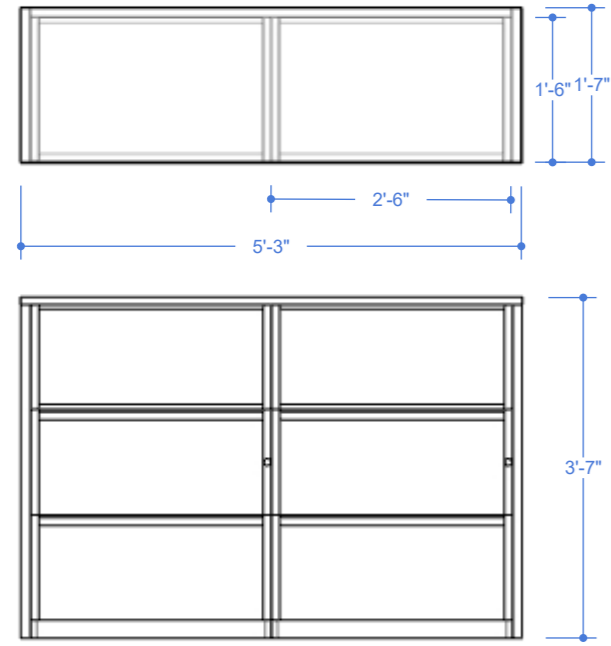


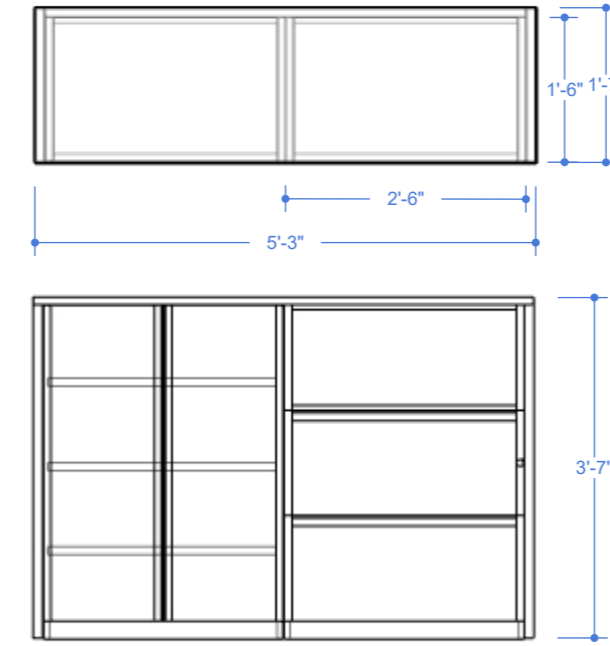
2
01 END-CAP TYPE A
Scale: 1/2"=1'



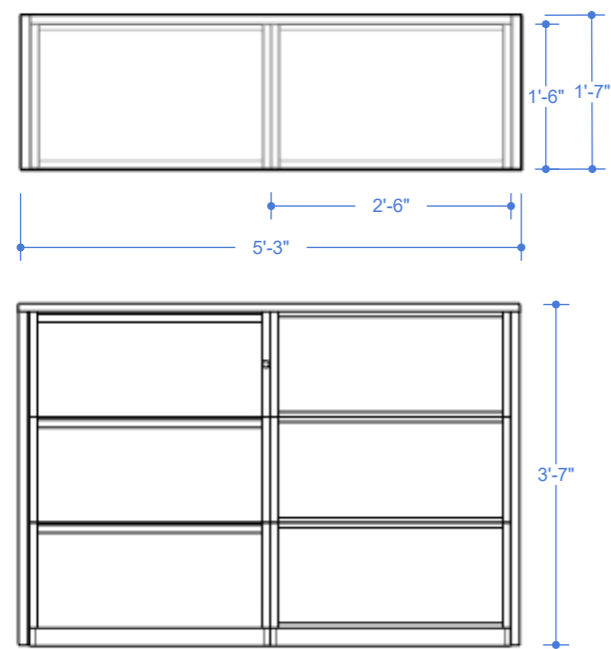
2
02 END-CAP TYPE B
Scale: 1/2"=1'



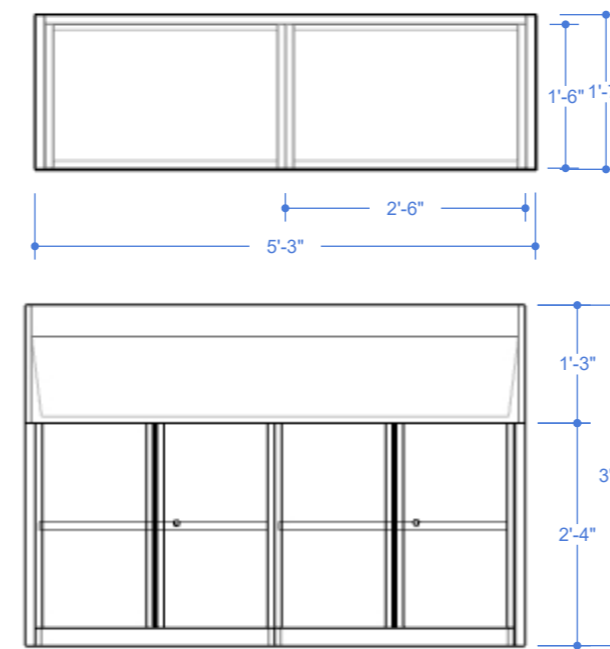
2
03 END-CAP TYPE C
Scale: 1/2"=1'



2
04 END-CAP TYPE D
Scale: 1/2"=1'



2
05 END-CAP TYPE E
Scale: 1/2"=1'



2
05 END-CAP TYPE F
Scale: 1/2"=1'