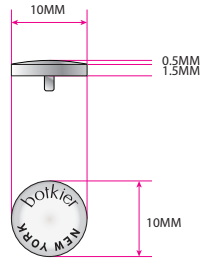


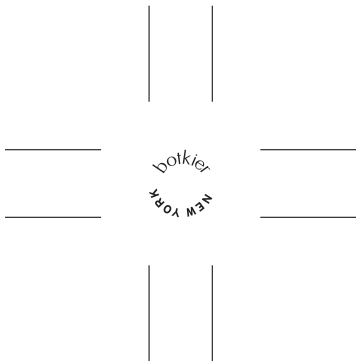
# botkier

100%  
TO SCALE

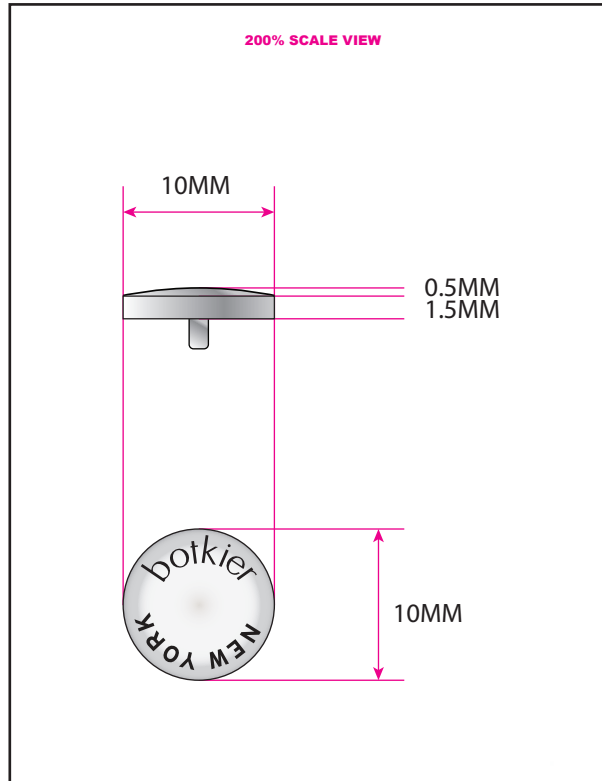
HW-1966 BOTKIER LOGO SNAP 10MM



LOGO EMBOSS W/O INK



200% SCALE VIEW



PLEASE MAKE SNAP BUTTON HEAD  
(ALL OTHER PARTS CAN BE  
STANDARD SNAP BUTTON SETS  
AS BELOW)



**Socket**  
**12mm**



**Close post**  
**10mm**



**Stud**  
**10.5mm**