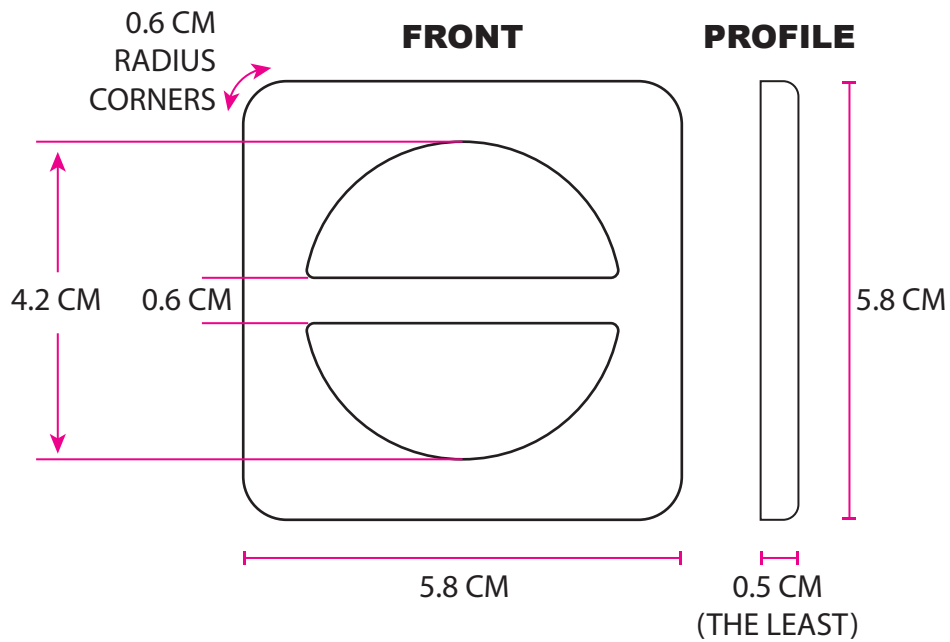


100%  
TO  
SCALE

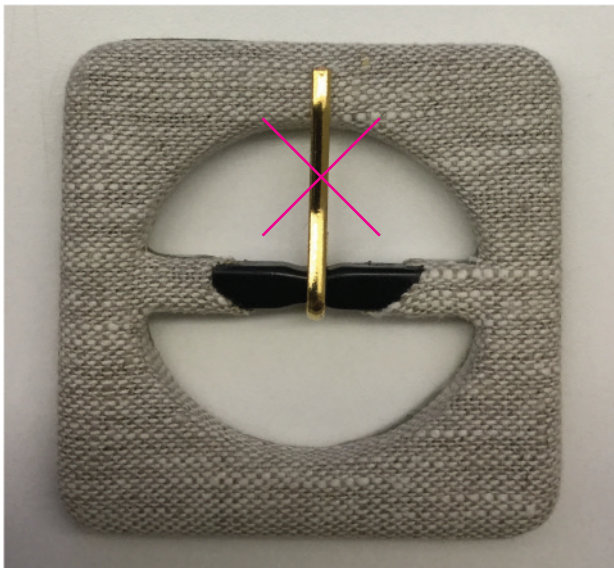
## BOTKIER LEATHER COVER BUCKLE w/o center pin



We'd like the buckle **as sturdy as possible**.  
**BONTEX 1.2** reinforcement **MIGHT** do the job but not sure if it's enough.  
Please make one buckle sample for us to review.  
Please use any available **AMANDA leather** to cover the buckle.

### REFERENCE IMAGE NO PIN NEEDED / FRONT & BACK COVER REFERENCE ONLY

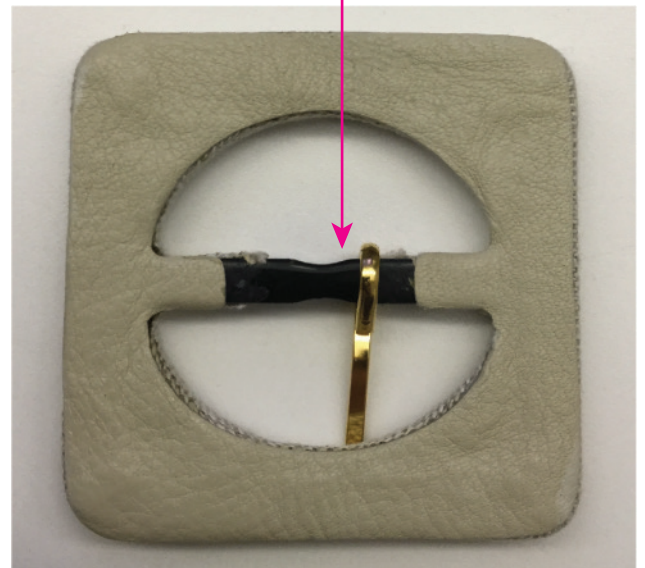
**CENTER OF THE BUCKLE WILL BE HIDDEN BY LEATHER STRAP**  
**WE DON'T MIND IF THE CENTER IS COVERED OR NOT**



FRONT



PROFILE



BACK